

FOR REFERENCE ONLY

B NX303GB1B-XX

SPECIFICATIONS:

AC RATING: 10 AMPS @115VAC (RESISTIVE LOAD)
 5 AMPS @115VAC (INDUCTIVE LOAD)
 3 AMPS @115VAC (LAMP LOAD)

DC RATING: 10 AMPS @28VDC (RESISTIVE LOAD)
 5 AMPS @28VDC (INDUCTIVE LOAD)
 3 AMPS @28VDC (LAMP LOAD)

TYPE 7 CONTACT ARRANGEMENTS:

1/2 AMPERAGE LOADS SHOWN ABOVE

MECHANICAL LIFE: 500,000 CYCLES
 ACTION: MOMENTARY SNAP OR PUSH PULL

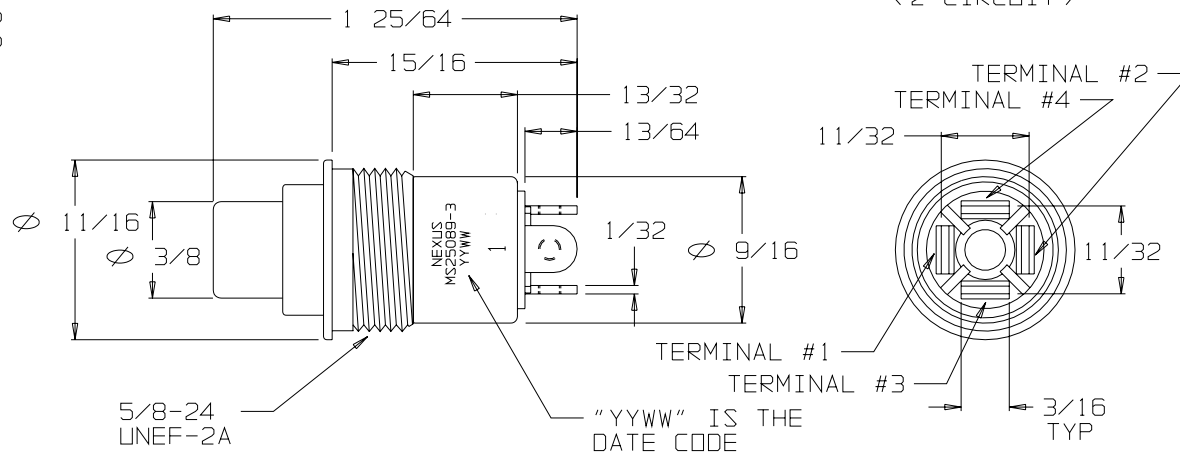
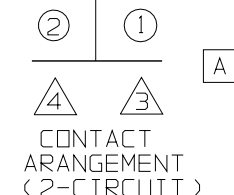
OPERATING FORCE:
 SERIES 20 & 30: 3 TO 5 POUNDS MOMENTARY
 1/2 TO 2 POUNDS PUSH-PULL

SERIES 22 & 32: 2 TO 3 POUNDS MOMENTARY

WEIGHT: .050 POUNDS MAXIMUM
 CASE: ALUMINUM ALLOY 2011-T3,
 CLEAR ANODIZED IAW MIL-A-8625

PLUNGER: GLASS FILLED NYLON
 BODY: DIALLYL PHTHALATE IAW MIL-M-14

TERMINALS: THREADED #2-56 NC-2B



SW-200-23
 TERMINAL
 (4)

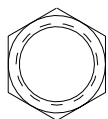


SW-200-25
 #2 LOCKWASHER
 (4)

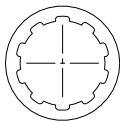


SW-200-72
 #2-56 SCREW
 (4)

TERMINAL
 HARDWARE



SW-200-34
 5/8-24 NUT
 (1)



SW-200-35
 5/8 LOCKWASHER
 (1)

MOUNTING
 HARDWARE

ORDERING INFORMATION:

NX303GB1B-00	SWITCH ONLY
NX303GB1B-60	SWITCH, MOUNTING HARDWARE
NX303GB1B-62	SWITCH, MOUNTING HARDWARE, TERMINAL HARDWARE
NX303GB1B-00EU	SWITCH (ROHS) ONLY
NX303GB1B-60EU	SWITCH (ROHS), MOUNTING HARDWARE
NX303GB1B-62EU	SWITCH (ROHS), MOUNTING HARDWARE, TERMINAL HARDWARE

DESCRIPTION

DUSTPROOF "300 SERIES" MOMENTARY SWITCH
 2 CIRCUIT (CAN BE JUMPERED FOR SPDT)
 ADAPTER TYPE "G", COLOR BLACK
 BUTTON #1, COLOR BLACK

THIS DOCUMENT CONTAINS PROPRIETARY INFORMATION OF NEXUS, INCORPORATED AND SUCH INFORMATION MAY NOT BE DISCLOSED TO OTHERS FOR ANY PURPOSE OR USED FOR ANY PURPOSE WITHOUT THE WRITTEN CONSENT OF NEXUS.

DWN. BY	EWT	DATE	9/11/07	MATERIAL	N/A	
CHECKED BY		DATE		FINISH	N/A	
APPR. BY		DATE		WEIGHT	SCALE N/A	
UNLESS OTHERWISE SPECIFIED DIMENSIONS ARE IN INCHES TOLERANCES ON ANGLES				TITLE		NEXUS STAMFORD, CONN
				SWITCH 2-CIRCUIT MOMENTARY (MS25089-3G)		
DO NOT SCALE DWG.				SHEET	1 OF 1	
				SIZE	B	
				DWG. NO.	NX303GB1B-XX	

A	CORRECTED CONTACT 3 & 4 POSITION		4/14/08	EWT
LET.	REVISION	CN #	DATE	CHK.

X-ON Electronics

Largest Supplier of Electrical and Electronic Components

Click to view similar products for [Pushbutton Switches](#) category:

Click to view products by [Amphenol](#) manufacturer:

Other Similar products are found below :

[8940K2012](#) [LW1L-M1C10V-A](#) [LW1L-M1C70-A](#) [LW2L-A1C20M-GD](#) [LW2L-M1C20M-A](#) [60324L](#) [M22-D-R-GB0/K11](#) [M7E-HRN2](#)
[67021K512](#) [67081K512X](#) [701PB580](#) [7190K101](#) [7199K101](#) [810K12910](#) [810KSV30B](#) [MML21EA2ADK](#) [MML21KA3ABK](#)
[MML23KA3AC05K-001](#) [MML23KW3AA01W](#) [8418K2](#) [8442K3](#) [8450K1](#) [860K11911T01A](#) [861901](#) [861K11911T01A07](#)
[861K13810T00A14](#) [861K13911](#) [8646AB6X718UL](#) [8646ABUL](#) [9001KXRK](#) [907AYY100](#) [PMHD155A1](#) [95-313.000](#)
[9533CD4+U574+U4922](#) [95-414.000](#) [99-450.837](#) [99-453.837](#) [PV3H2B0NN-341](#) [1203MRA](#) [A22NZBGANGA](#) [A22NZBMMNGA](#)
[A22NZBNANGA](#) [A22NZMPATRA](#) [A2PMA1X03EC56](#) [A3A-5123-02](#) [A3A-7140](#) [A3A-7310](#) [A3A-7340](#) [A3U-TMW-A2C-5M](#) [A595](#)