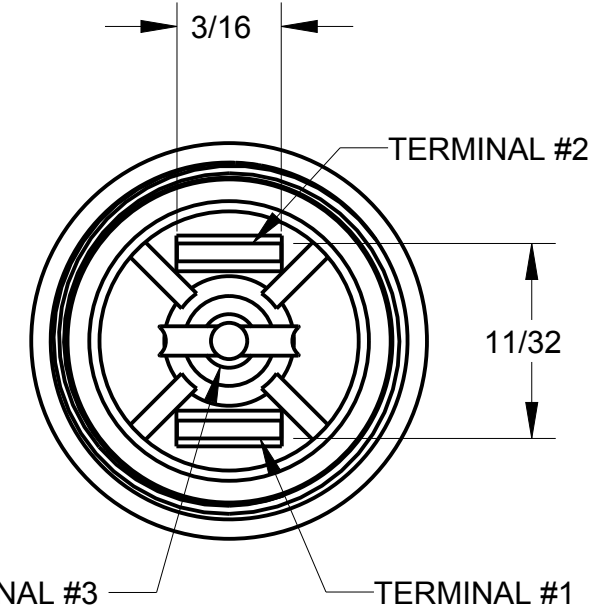
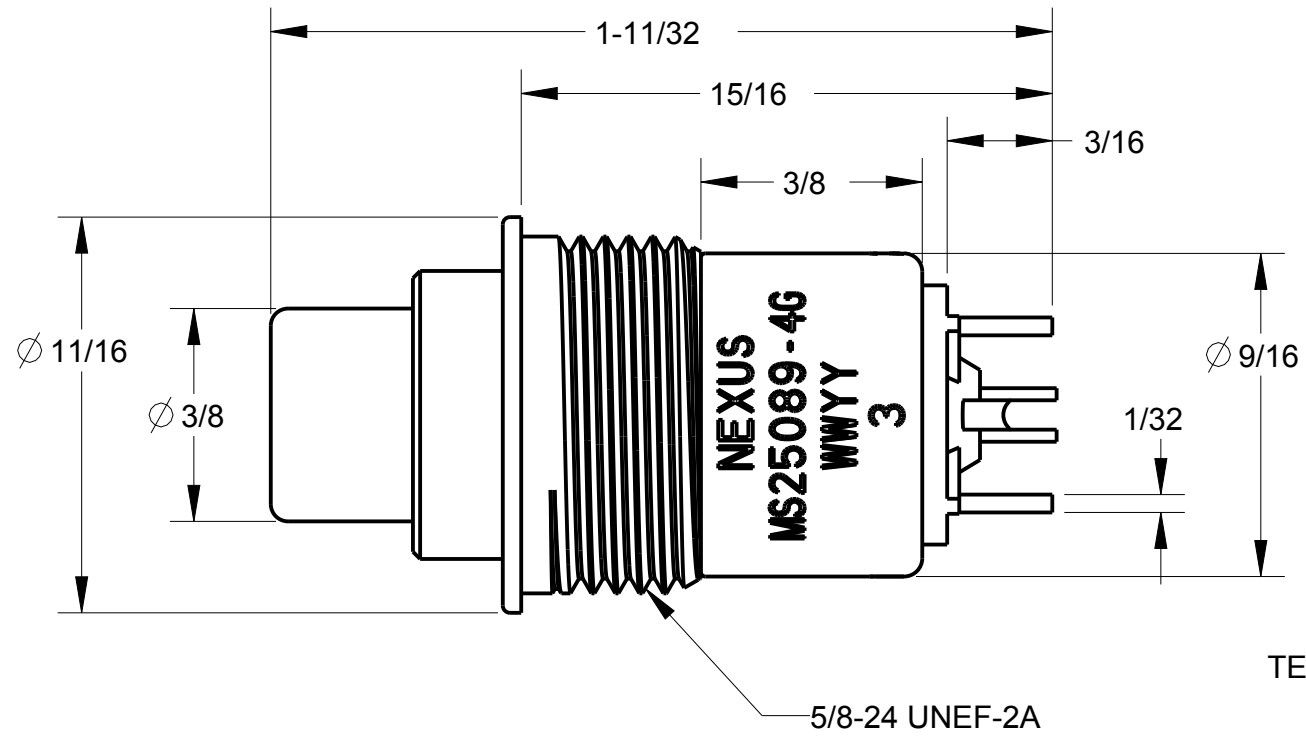
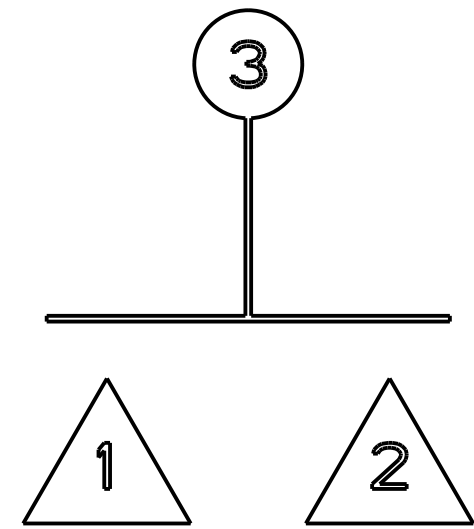


NOTES:

- 1) DUSTPROOF SERIES 300 MOMENTARY SWITCH
CONTACT 3-TNO - THREE TERMINAL NORMALLY OPEN
ADAPTER TYPE "G" COLOR BLACK
BUTTON #1 COLOR BLACK
- 2) ORDER PART # NX304GB1B
- 3) WWYY IS THE DATE CODE

B NX304GB1B



CONTACT
ARRANGEMENT
(3-TNO)

THIS DOCUMENT CONTAINS PROPRIETARY INFORMATION OF NEXUS, INCORPORATED AND SUCH INFORMATION MAY NOT BE DISCLOSED TO OTHERS FOR ANY PURPOSE OR USED FOR ANY PURPOSE WITHOUT THE WRITTEN CONSENT OF NEXUS.

A	NEW RELEASE		2/1 2016	HR
LET.	REVISION	CN #	DATE	CHK.

DWN.BY HR	DATE 2/1/16	MATERIAL		
CHECKED BY	DATE	FINISH		
APPR.BY	DATE	WEIGHT —	SCALE = 1.00 :1	NEXUS STAMFORD, CONN
UNLESS OTHERWISE SPECIFIED: DIMENSIONS ARE IN INCHES &/OR (mm)		TITLE SWITCH MOMENTARY (3-TNO)		
TOLERANCES: DECIMAL: .XX[X.X] ± .XXX[X.XX] ± .0X[0.X] ± .00X[0.0X]		DO NOT SCALE DWG. SHEET 1 OF 1		SIZE B
FRACTION: X/X ± X/XX		ANGLES: X ± .X°		DWG. NO. NX304GB1B

X-ON Electronics

Largest Supplier of Electrical and Electronic Components

Click to view similar products for [Pushbutton Switches](#) category:

Click to view products by [Amphenol](#) manufacturer:

Other Similar products are found below :

[8940K2012](#) [LW1L-M1C10V-A](#) [LW1L-M1C70-A](#) [LW2L-A1C20M-GD](#) [LW2L-M1C20M-A](#) [60324L](#) [M22-D-R-GB0/K11](#) [M7E-HRN2](#)
[67021K512](#) [67081K512X](#) [701PB580](#) [7190K101](#) [7199K101](#) [810K12910](#) [810KSV30B](#) [MML21EA2ADK](#) [MML21KA3ABK](#)
[MML23KA3AC05K-001](#) [MML23KW3AA01W](#) [8418K2](#) [8442K3](#) [8450K1](#) [860K11911T01A](#) [861901](#) [861K11911T01A07](#)
[861K13810T00A14](#) [861K13911](#) [8646AB6X718UL](#) [8646ABUL](#) [9001KXRK](#) [907AYY100](#) [PMHD155A1](#) [95-313.000](#)
[9533CD4+U574+U4922](#) [95-414.000](#) [99-450.837](#) [99-453.837](#) [PV3H2B0NN-341](#) [1203MRA](#) [A22NZBGANGA](#) [A22NZBMMNGA](#)
[A22NZBNANGA](#) [A22NZMPATRA](#) [A2PMA1X03EC56](#) [A3A-5123-02](#) [A3A-7140](#) [A3A-7310](#) [A3A-7340](#) [A3U-TMW-A2C-5M](#) [A595](#)