

FOR REFERENCE ONLY

B NX307005B-XX

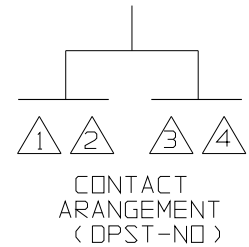
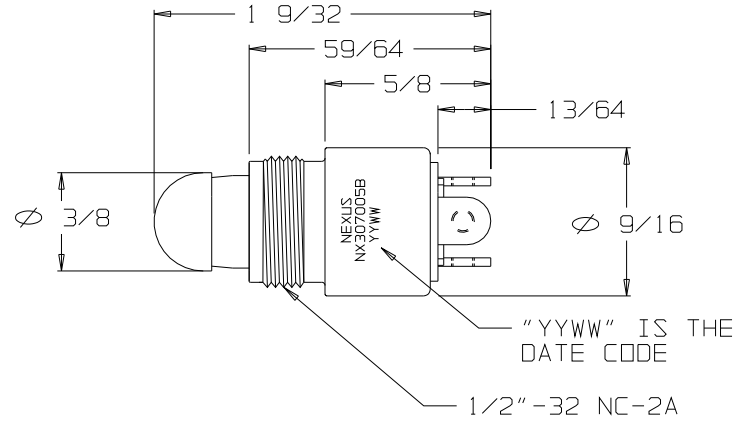
SPECIFICATIONS:

AC RATING: 10 AMPS @115VAC (RESISTIVE LOAD)
 5 AMPS @115VAC (INDUCTIVE LOAD)
 3 AMPS @115VAC (LAMP LOAD)

DC RATING: 10 AMPS @28VDC (RESISTIVE LOAD)
 5 AMPS @28VDC (INDUCTIVE LOAD)
 3 AMPS @28VDC (LAMP LOAD)

MECHANICAL LIFE: 500,000 CYCLES
 ACTION: MOMENTARY SNAP
 OPERATING FORCE: 3 TO 5 POUNDS
 WEIGHT: .050 POUNDS MAXIMUM
 CASE: ALUMINUM ALLOY 2011-T3,
 CLEAR ANODIZED IAW MIL-A-8625

PLUNGER: GLASS FILLED NYLON
 BODY: DIALLYL PHTHALATE IAW MIL-M-14
 TERMINALS: THREADED #2-56 NC-2B

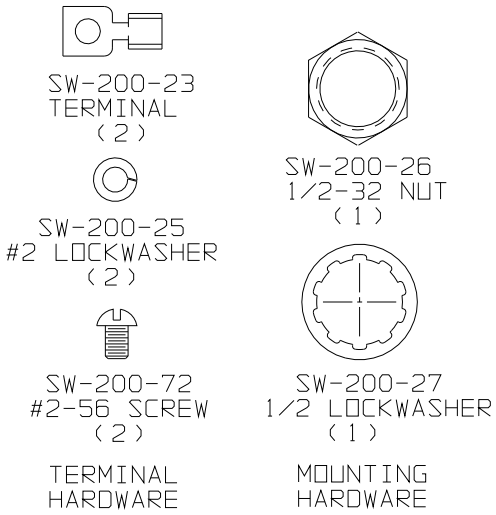


DUSTPROOF "SERIES 30" MOMENTARY SWITCH 2LB
 CONTACTS ARRANGEMENT: DPST - DOUBLE POLE SINGLE THROW NORMALLY OPEN
 ADAPTER TYPE; NONE
 BUTTON; #5 BLACK

ORDERING INFORMATION:

NX307005B-00	SWITCH ONLY
NX307005B-30	SWITCH, MOUNTING HARDWARE
NX307005B-32	SWITCH, MOUNTING HARDWARE, TERNIMAL HARDWARE
NX307005B-00EU	SWITCH (ROHS) ONLY
NX307005B-30EU	SWITCH (ROHS), MOUNTING HARDWARE
NX307005B-32EU	SWITCH (ROHS), MOUNTING HARDWARE, TERNIMAL HARDWARE

THIS DOCUMENT CONTAINS PROPRIETARY INFORMATION OF NEXUS, INCORPORATED AND SUCH INFORMATION MAY NOT BE DISCLOSED TO OTHERS FOR ANY PURPOSE OR USED FOR ANY PURPOSE WITHOUT THE WRITTEN CONSENT OF NEXUS.



B	CHG: NX307005B-31 TO NX307005B-31; NX307005B-31EU TO NX307005B-32EU	22B	10/14/15	HR
LET.	REVISION	CN #	DATE	CHK.

DWN. BY	EWT	DATE	12/13/06	MATERIAL	N/A
CHECKED BY		DATE		FINISH	N/A
APPR. BY		DATE		WEIGHT	—
				SCALE	N/A
UNLESS OTHERWISE SPECIFIED DIMENSIONS ARE IN INCHES TOLERANCES ON				TITLE	
.XX .XXX ANGLES				SWITCH DPST-NO MOMENTARY	
— ±.003 ±.5°				DO NOT SCALE DWG.	
				SHEET 1 OF 1	
				SIZE	B
				DWG. NO.	NX307005B-XX

NEXUS
STAMFORD, CONN

X-ON Electronics

Largest Supplier of Electrical and Electronic Components

Click to view similar products for [Pushbutton Switches](#) category:

Click to view products by [Amphenol](#) manufacturer:

Other Similar products are found below :

[8940K2012](#) [LW1L-M1C10V-A](#) [LW1L-M1C70-A](#) [LW2L-A1C20M-GD](#) [LW2L-M1C20M-A](#) [60324L](#) [M22-D-R-GB0/K11](#) [M7E-HRN2](#)
[67021K512](#) [67081K512X](#) [701PB580](#) [7190K101](#) [7199K101](#) [810K12910](#) [810KSV30B](#) [MML21EA2ADK](#) [MML21KA3ABK](#)
[MML23KA3AC05K-001](#) [MML23KW3AA01W](#) [8418K2](#) [8442K3](#) [8450K1](#) [860K11911T01A](#) [861901](#) [861K11911T01A07](#)
[861K13810T00A14](#) [861K13911](#) [8646AB6X718UL](#) [8646ABUL](#) [9001KXRK](#) [907AYY100](#) [PMHD155A1](#) [95-313.000](#)
[9533CD4+U574+U4922](#) [95-414.000](#) [99-450.837](#) [99-453.837](#) [PV3H2B0NN-341](#) [1203MRA](#) [A22NZBGANGA](#) [A22NZBMMNGA](#)
[A22NZBNANGA](#) [A22NZMPATRA](#) [A2PMA1X03EC56](#) [A3A-5123-02](#) [A3A-7140](#) [A3A-7310](#) [A3A-7340](#) [A3U-TMW-A2C-5M](#) [A595](#)