

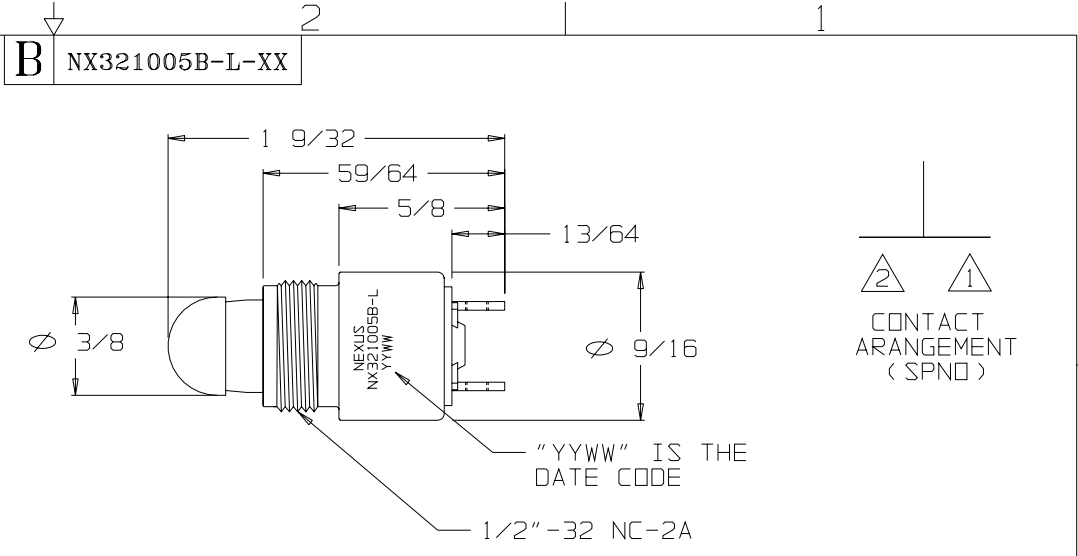
FOR REFERENCE ONLY

SPECIFICATIONS:

AC RATING: 10 AMPS @115VAC (RESISTIVE LOAD)
 5 AMPS @115VAC (INDUCTIVE LOAD)
 3 AMPS @115VAC (LAMP LOAD)

DC RATING: 10 AMPS @28VDC (RESISTIVE LOAD)
 5 AMPS @28VDC (INDUCTIVE LOAD)
 3 AMPS @28VDC (LAMP LOAD)

MECHANICAL LIFE: 500,000 CYCLES
 ACTION: MOMENTARY SNAP
 OPERATING FORCE: 2 TO 3 POUNDS
 WEIGHT: .050 POUNDS MAXIMUM
 CASE: ALUMINUM ALLOY 2011-T3,
 CLEAR ANODIZED IAW MIL-A-8625
 PLUNGER: GLASS FILLED NYLON
 BODY: DIALLYL PHTHALATE IAW MIL-M-14
 TERMINALS: THREADED #2-56 NC-2B



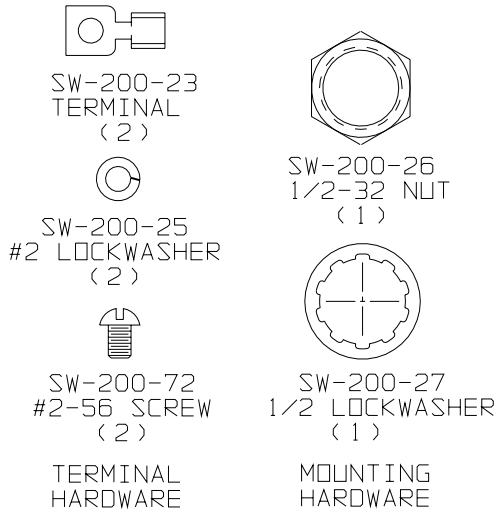
DUSTPROOF "SERIES 32" MOMENTARY SWITCH 2LB
 CONTACTS ARRANGEMENT: SPNO - SINGLE POLE NORMALLY OPEN
 CONTACT PALTING: GOLD OVER SILVER
 ADAPTER TYPE; NONE
 BUTTON; #5 BLACK

ORDERING INFORMATION:

NX321005B-L-00 SWITCH ONLY
 NX321005B-L-30 SWITCH, MOUNTING HARDWARE
 NX321005B-L-31 SWITCH, MOUNTING HARDWARE, TERNIMAL HARDWARE

NX321005B-L-00EU SWITCH (ROHS) ONLY
 NX321005B-L-30EU SWITCH (ROHS), MOUNTING HARDWARE
 NX321005B-L-31EU SWITCH (ROHS), MOUNTING HARDWARE, TERNIMAL HARDWARE

THIS DOCUMENT CONTAINS PROPRIETARY INFORMATION OF NEXUS, INCORPORATED AND SUCH INFORMATION MAY NOT BE DISCLOSED TO OTHERS FOR ANY PURPOSE OR USED FOR ANY PURPOSE WITHOUT THE WRITTEN CONSENT OF NEXUS.



LET.	REVISION	CN #	DATE	CHK.
------	----------	------	------	------

DWN. BY	EWT	DATE	01/04/08	MATERIAL	N/A
CHECKED BY		DATE		FINISH	N/A
APPR. BY		DATE		WEIGHT	—
				SCALE	N/A
				TITLE	
				SWITCH SPNO MOMENTARY 2LB GOLD CONTACT	
UNLESS OTHERWISE SPECIFIED DIMENSIONS ARE IN INCHES TOLERANCES ON				SIZE	DWG. NO.
.XX .XXX ANGLES				B	NX321005B-L-XX
— ±.003 ±.5°				DO NOT SCALE DWG.	SHEET 1 OF 1

X-ON Electronics

Largest Supplier of Electrical and Electronic Components

Click to view similar products for [Pushbutton Switches](#) category:

Click to view products by [Amphenol](#) manufacturer:

Other Similar products are found below :

[8940K2012](#) [LW1L-M1C10V-A](#) [LW1L-M1C70-A](#) [LW2L-A1C20M-GD](#) [LW2L-M1C20M-A](#) [60324L](#) [M22-D-R-GB0/K11](#) [M7E-HRN2](#)
[67021K512](#) [67081K512X](#) [701PB580](#) [7190K101](#) [7199K101](#) [810K12910](#) [810KSV30B](#) [MML21EA2ADK](#) [MML21KA3ABK](#)
[MML23KA3AC05K-001](#) [MML23KW3AA01W](#) [8418K2](#) [8442K3](#) [8450K1](#) [860K11911T01A](#) [861901](#) [861K11911T01A07](#)
[861K13810T00A14](#) [861K13911](#) [8646AB6X718UL](#) [8646ABUL](#) [9001KXRK](#) [907AYY100](#) [PMHD155A1](#) [95-313.000](#)
[9533CD4+U574+U4922](#) [95-414.000](#) [99-450.837](#) [99-453.837](#) [PV3H2B0NN-341](#) [1203MRA](#) [A22NZBGANGA](#) [A22NZBMMNGA](#)
[A22NZBNANGA](#) [A22NZMPATRA](#) [A2PMA1X03EC56](#) [A3A-5123-02](#) [A3A-7140](#) [A3A-7310](#) [A3A-7340](#) [A3U-TMW-A2C-5M](#) [A595](#)