

Amphenol®  
**NEXUS**®  
Technologies

**DON'T LET**  
**A LITTLE WATER**  
**STOP YOU**

## NEW AMPHENOL NEXUS TECHNOLOGIES **HYDRO-SWITCH**



Amphenol NEXUS Technologies now offers MIL-S-8805/3 type watertight switches that meet IP68 water submersion requirements. This new Hydro-Switch has the same mechanical and electrical properties of our NX300 series switches with the added bonus of being watertight. It can be used as a direct drop-in replacement for designs utilizing current Amphenol NEXUS Technologies' switches.

Amphenol NEXUS Technologies manufactures a wide variety of push-pull and momentary switches for multiple markets and applications. Many of the switches can be incorporated with our connectors for customers who have come to rely on our design capabilities and prefer the tactile feel of our quality switches. The new Hydro-Switch has the same quality customers expect from an Amphenol NEXUS Technologies product.

Call **Customer Service** at (203) 327-7300, or email us at [salesinfo@nexus.com](mailto:salesinfo@nexus.com) for more information.

# HOW TO ORDER:

Seven Step Process Example :

1.	2.	3.	4.	5.	6.	7.
Base Part Number	Switch Series	Contact Arrangement	Adapter Type	Adapter Color	Button Style	Button Color
NX	30	2	C	R	1	B

## 1. Base Part Number

NX	Standard Switch
NXW	Hydro-Switch **

## 2. Switch Series

20	Standard Momentary or push-pull switches
22	Standard switches with 2 lb operating force
30	Dustproof momentary or push-pull switches
32	Dustproof switches with 2 lb operating force

## 3. Contact Arrangements

1	SPNO: Single pole, normally open
2	SPNC: Single pole, normally closed
3	2-CIR: Two circuit
4	3-TNO: Three terminal, normally open
5	3-TNC: Three terminal, normally closed
6	SPDT: Single pole, double throw
7	DPST: Double pole, single throw, normally open

## 4. Adapter Type

O	Basic Switch ( no adapter )
A	MIL type A
B	MIL type B
C	MIL type C
E	MIL type E
F	MIL type F
G	MIL type G
H	MIL type H

## 5. Adapter Color

B	Standard color; black
R	Red
C	Clear metal ( aluminum )
O	Without Adapter

## 6. Button Style

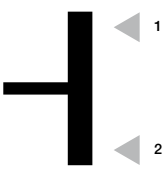
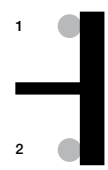
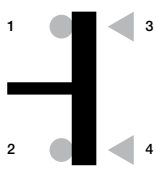
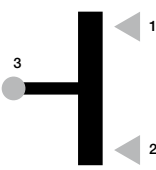
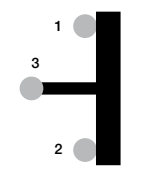
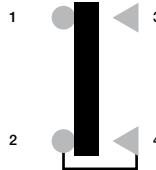
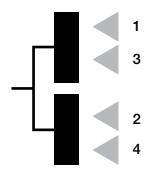
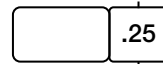
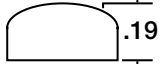
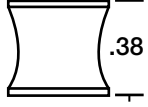
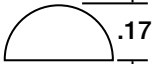

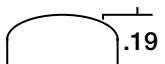
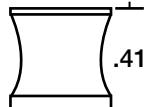
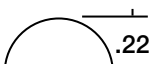
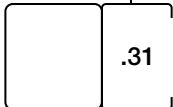
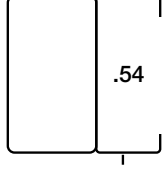
1
2
3
5
6
8

## 7. Button Color

B	Standard color; black
R	Red
G	Gray
W	White
Y	Yellow

\*\* Hydro-Switch is only available in 300 Series Switches

# PUSH BUTTON SWITCH CONTACT ARRANGEMENTS:

CONTACT ARRANGEMENTS						
(1) SPNO  Single Pole Normally Open	(2) SPNC  Single Pole Normally Closed	(3) 2-CIRCUIT  Can Be Jumped For SPDT	(4) 3-TERMINAL  Single Pole Normally Open	(5) 3-TERMINAL  Single Pole Normally Closed	(6) SPDT  Single Pole Double Throw	(7) DPST-NO  Double Pole Single Throw Normally Open
BUTTON STYLES						
Switches Without Adapters: (See Note 1)	 No. 1	 No. 2	 No. 3	 No. 5	With Adapter	With Adapter No. 8
Switches With Adapters: (See Note 2)	 No. 1	 No. 2	 No. 3	 No. 5	With Adapter No. 6  No. 6	With Adapter No. 8  No. 8

**1. SWITCHES WITHOUT ADAPTERS:** The button height dimension shown for both Series 300 switches is taken from top of rubber boot to top of button. Button numbers 1, 3 (push-pull), and 5 is for the Series 300 dustproof switches. The only button available for series 200 switches is the number 2. The button height dimension shown is taken from the top of the housing to the top of the button.

**2. SWITCHES WITH ADAPTERS:** The button height dimension shown for both series of switches is taken from top adapter to top of button. Button numbers 1, 3 (push-pull), and 5 is for the Series 300 dustproof switches. Buttons 2, 6, and 8 are for the Series 200 standard switches.

## TECHNICAL SPECIFICATIONS

**AC Rating:** 10 amps at 115 vac (Resistive load)  
5 amps at 115 vac (Inductive load)  
3 amps at 115 vac (Lamp load)

**DC Rating:** 10 amps at 28 vdc (Resistive load)  
5 amps at 28 vdc (Inductive load)  
3 amps at 28 vdc (Lamp load)

**Type 7 Contact Arrangement:** Ratings are one half amperage

**Mechanical Life:** 500,000 cycles

**Action:** Momentary snap of push-pull (as specified)

**Plunger Travel:** .085 inch (approx.)

**Operating Force:**

Ser. 20 & 30 3 to 5 pounds momentary  
1/2 to 2 pounds push-pull

Ser. 22 & 32 2 to 3 pounds

**Weight** 050 pound maximum

**Case:** Aluminum alloy. 2001 - T3, anodized in accordance with MIL-A-8625

**Plunger:** Glass filled nylon

**Body:** Diallyl phthalate in accordance with MIL-M-14

**Terminals:** Threaded 2-56 NC-2B

**Terminal Hardware:** Solder-type wire terminals, with terminal mounting screws and lockwashers, supplied with each switch.

**Mounting:** Basic switch supplied with 1/2-32 UN-2B nut and internal tooth lockwasher. Switch with mounding adapter C,F,G or H supplied with 5/8-24 UNEF-2B nut and internal tooth lockwasher.

**Special:** Additional types of mounting, button styles, colors, and other variations are available on special order.

Amphenol<sup>®</sup>  
**NEXUS**<sup>®</sup>  
┌Technologies┐

Amphenol NEXUS Technologies

50 Sunnyside Avenue

Stamford, CT 06902

203-327-7300

[salesinfo@nexus.com](mailto:salesinfo@nexus.com)

[www.nexus.com](http://www.nexus.com)

## X-ON Electronics

Largest Supplier of Electrical and Electronic Components

*Click to view similar products for [Pushbutton Switches](#) category:*

*Click to view products by [Amphenol](#) manufacturer:*

Other Similar products are found below :

[8940K2012](#) [LW1L-M1C10V-A](#) [LW1L-M1C70-A](#) [LW2L-A1C20M-GD](#) [LW2L-M1C20M-A](#) [60324L](#) [M22-D-R-GB0/K11](#) [M7E-HRN2](#)  
[67021K512](#) [67081K512X](#) [701PB580](#) [7190K101](#) [7199K101](#) [810K12910](#) [810KSV30B](#) [MML21EA2ADK](#) [MML21KA3ABK](#)  
[MML23KA3AC05K-001](#) [MML23KW3AA01W](#) [8418K2](#) [8442K3](#) [8450K1](#) [860K11911T01A](#) [861901](#) [861K11911T01A07](#)  
[861K13810T00A14](#) [861K13911](#) [8646AB6X718UL](#) [8646ABUL](#) [9001KXRK](#) [907AYY100](#) [PMHD155A1](#) [95-313.000](#)  
[9533CD4+U574+U4922](#) [95-414.000](#) [99-450.837](#) [99-453.837](#) [PV3H2B0NN-341](#) [1203MRA](#) [A22NZBGANGA](#) [A22NZBMMNGA](#)  
[A22NZBNANGA](#) [A22NZMPATRA](#) [A2PMA1X03EC56](#) [A3A-5123-02](#) [A3A-7140](#) [A3A-7310](#) [A3A-7340](#) [A3U-TMW-A2C-5M](#) [A595](#)