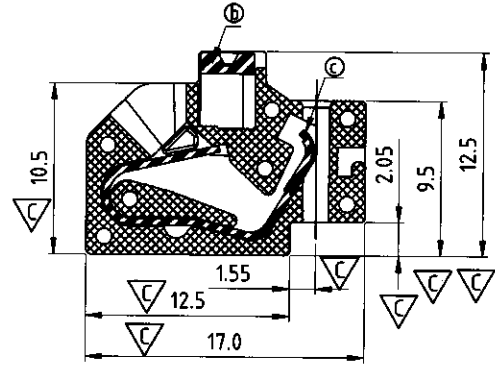
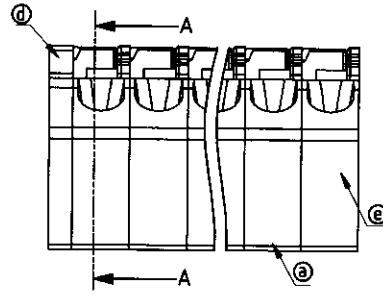
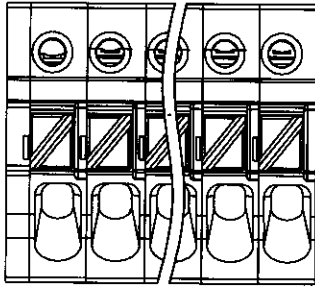
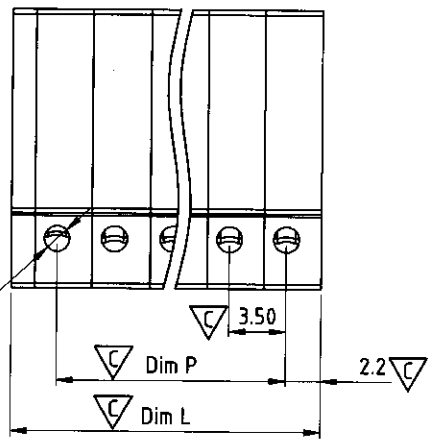


SIGN	DATE	DESCRIPTION	APPROVER
△			
△			

THIS IS CAD DRAWING, DO NOT REVISE MANUALLY!!!



Section A-A



Material

- Item a Insulating body: Thermoplastic (UL94V-0)
- Item b Insulating lever: Thermoplastic (UL94V-0) Orange RAL 2011/P
- Item c Spring clamp: Stainless steel Matte Tin plated.
- Item d Insulating cover : Thermoplastic (UL94V-0)
- Item e Terminal side body: Thermoplastic (UL94V-0)

- Electrical:** cULus
- Voltage rating: 150V
 - Current rating: 2A
 - Solid wire(AWG): 16-22
 - Stranded wire(AWG): 16-22
 - Wire strip length: 9.0-10.0mm
 - Withstanding Voltage: 1.3KV
 - Operating temperature: -40°C to +115°C
 - Safety Approval:
 - Critical dimension: ∇



NY xx 10 x 0 xxxx G

- RoHs compliant (lead<4%) in copper Alloy
- | | | |
|--------------|---------------------|---|
| No. OF POLES | Body Color | 0000 Standard @ Logo |
| 02: 2 POLES | 0 Black (RAL9005) | 000A Standard ANY Logo |
| 03: 3 POLES | 2 Red (RAL3001/D) | Any special item by |
| ... | 3 Orange(RAL2011/P) | 4 Yellow(RAL1018/A) customer request, |
| 24: 24 POLES | 5 Green(RAL6018/T) | 6 Blue (RAL5015/A) please contact sales department. |
| | 8 Grey(RAL7004/P) | |
| | 9 White(RAL1102) | |
| | C Multiple colors | |

N = Number of poles
 Dim L=(N×3.5)+1.5
 Dim P=(N-1)×3.5

POLES	Dim L	Dim P
2p-6p	±0.15	±0.15
7p-12p	±0.2	±0.2
13p-18p	±0.3	±0.3
19p-24p	±0.4	±0.4

ANYTEK		CUSTOMER COPY	
		ALL RIGHTS RESERVED. REPRODUCTION OR ISSUE TO THIRD PARTIES IN ANY FORM WHATSOEVER IS NOT PERMITTED WITHOUT WRITTEN AUTHORITY FROM THE PROPRIETOR. PROPERTY OF ANYTEK TECHNOLOGY CO., LTD	
TITLE	NY-3.5mm Series (W/O top cover)		
PART NO.	NYxx10x0xxxxG	DWG NO.	8NY0003
APPROVED	CHECKED	DESIGNED	DRAWN
		Guoxue 2014.08.06	Guoxue 2014.08.06
SHEET: 01/01		UNIT: mm	Tolerance
		SCALE: NONE	X. ±0.50
		REV.: B	X.X ±0.30
			X.XX ±0.10
			X* ±1*

X-ON Electronics

Largest Supplier of Electrical and Electronic Components

Click to view similar products for [Fixed Terminal Blocks](#) category:

Click to view products by [Amphenol](#) manufacturer:

Other Similar products are found below :

[MBE-1512](#) [MBE-154](#) [MBE-156](#) [MBES-153](#) [MBES-156](#) [MH-2512](#) [MHE-132](#) [MHE-163](#) [MI-254 \(35\)](#) [MI-272](#) [880507](#) [MPT-275](#)
[15602-04-08-21](#) [BA311TU](#) [BA411SU](#) [MV-152](#) [MV-252-D](#) [MV-253/NCNOC](#) [MV-254-D](#) [MV-255](#) [MV-462](#) [MV-493](#) [MVE-252](#) [MVE-253](#)
[MVE-273](#) [MVEB-153](#) [1700096](#) [1705142](#) [1745195](#) [1760594](#) [1776118-2](#) [1-796689-8](#) [1-796692-6](#) [20020314-C121B01LF](#) [CB2-12](#)
[KP03215000J0G](#) [KP04215000J0G](#) [S451](#) [282802-2](#) [29.007](#) [29.116](#) [30.103](#) [30.106](#) [30.252](#) [30.503](#) [30.608](#) [30.753](#) [30.755](#) [30.756](#) [30.853](#)