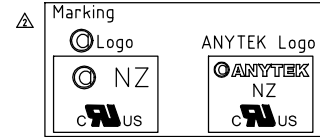


N=NUMBER OF CONTACTS

DIM		TOL				
		1P	2P	3P--4P	5P--8P	9P--12P
Dim L	N×10.0	±0.20	±0.40	±0.40	±0.50	±0.60
Dim P	(N-1)×10.0	/	±0.20	±0.40	±0.50	±0.60



VER	SIGN	DATE	DESCRIPTION	APPROVER
B		2017.03.09	Initial release	Eddie
C	△	05/09-18	update the drawing	zhangcan
C	△	05/09-18	Add Marking and RoHS compliant	zhangcan
D		2018.08.29	改善手柄打手問題	Lena

THIS IS CAD DRAWING, DO NOT REVISE MANUALLY!!!

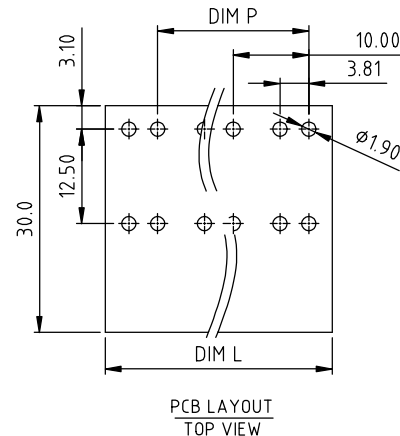
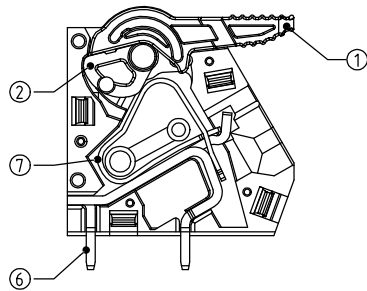
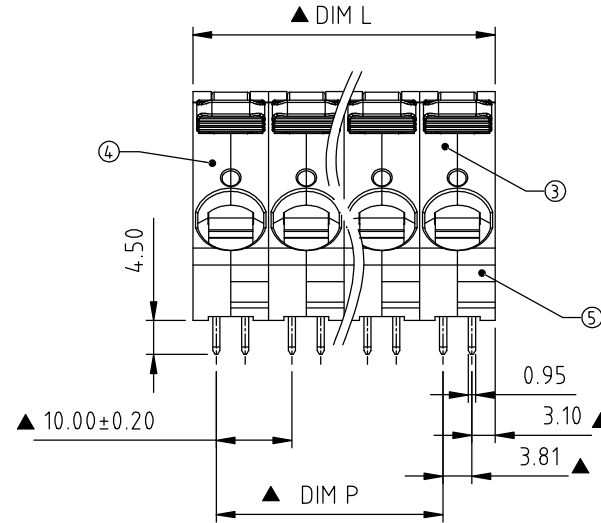
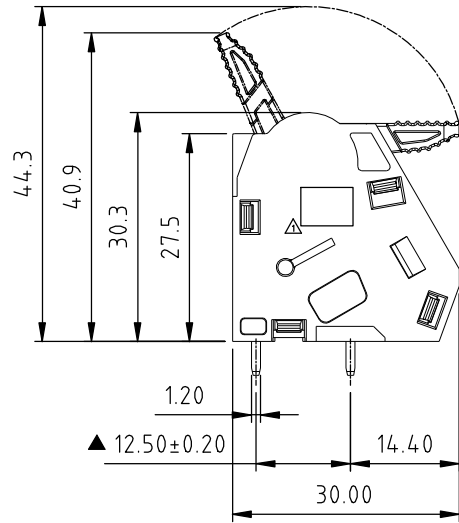
Material:

- Item ① Lever: Thermoplastic (UL 94V-0),White RAL9003
- Item ② Cam: Thermoplastic (UL 94V-0),White RAL9003
- Item ③ Terminal body: Thermoplastic (UL 94V-0)
- Item ④ Terminal Left side body: Thermoplastic (UL 94V-0)
- Item ⑤ Terminal Right side body: Thermoplastic (UL94V-0)
- Item ⑥ Contact: Copper,Matte Tin plated over Nickel plated
- Item ⑦ Spring clamp: Stainless steel

Electrical:

- | | |
|--------------------------|-----------------|
| | cULus |
| ● Voltage rating: | 300 V |
| ● Current rating: | 55 A |
| ● Wire range: | |
| ● Solid wire(AWG): | 6-16 |
| ● Stranded wire(AWG): | 6-16 |
| ● Wire strip length: | 12-13mm |
| ● Withstanding Voltage: | 1.6KV |
| ● Operating temperature: | -40°C to +115°C |
| ● Soldering temperature: | 260°C±5°C/5 Sec |
| ● Safety Approval: | cULus |
| ● Critical dimension: | ▲ |

		NZ XX 00 X B XXXX G		
No. OF POLES	←		→	RoHS compliant (lead<4%) In copper Alloy
01 1 CONTACTS		Body Color		
02 2 CONTACTS		0 Black (RAL9005)		
...		2 Red (RAL3001/D)		
12 12 CONTACTS		3 Orange(RAL2011/P)		
		4 Yellow(RAL1018/A)		
		5 Green(RAL6018/T)		
		6 Blue (RAL5015/A)		
		8 Grey(RAL7004/P)		
		9 White(RAL1102)		
		C Multiple colors		
		0000: "@" Logo (Standard)		
		000A: "ANYTEK" Mark		



Amphenol ANYTEK				CUSTOMER COPY		
ALL RIGHTS RESERVED. REPRODUCTION OR ISSUE TO THIRD PARTIES IN ANY FORM WHATSOEVER IS NOT PERMITTED WITHOUT WRITTEN AUTHORITY FROM THE PROPRIETOR. PROPERTY OF ANYTEK TECHNOLOGY CO., LTD						
TITLE		NZ 10.0 Series without jumper slot				
PART NO.	NZ XX00XBXXXXG			DWG NO.	8NZ0002	
APPROVED	CHECKED	DESIGNED	DRAWN	CUST NO.		
		LENA 2018.08.29	LENA 2018.08.29			
					UNIT: mm	X. ±0.50
					SCALE: 1:1	X.X ±0.30
				SHEET: 01/01	REV.: D	X.XX ±0.10
						X° ±1°

X-ON Electronics

Largest Supplier of Electrical and Electronic Components

Click to view similar products for [Fixed Terminal Blocks](#) category:

Click to view products by [Amphenol](#) manufacturer:

Other Similar products are found below :

[MBE-1512](#) [MBE-154](#) [MBE-156](#) [MBES-153](#) [MBES-156](#) [MH-2512](#) [MHE-132](#) [MHE-163](#) [MI-254 \(35\)](#) [MI-272](#) [880507](#) [MPT-275](#)
[15602-04-08-21](#) [BA311TU](#) [BA411SU](#) [MV-152](#) [MV-252-D](#) [MV-253/NCNOC](#) [MV-254-D](#) [MV-255](#) [MV-462](#) [MV-493](#) [MVE-252](#) [MVE-253](#)
[MVE-273](#) [MVEB-153](#) [1700096](#) [1705142](#) [1745195](#) [1760594](#) [1776118-2](#) [1-796689-8](#) [1-796692-6](#) [20020314-C121B01LF](#) [CB2-12](#)
[KP03215000J0G](#) [KP04215000J0G](#) [S451](#) [282802-2](#) [29.007](#) [29.116](#) [30.103](#) [30.106](#) [30.252](#) [30.503](#) [30.608](#) [30.753](#) [30.755](#) [30.756](#) [30.853](#)