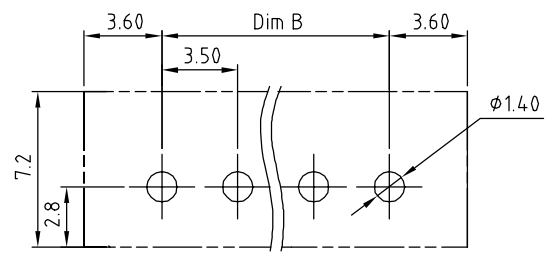
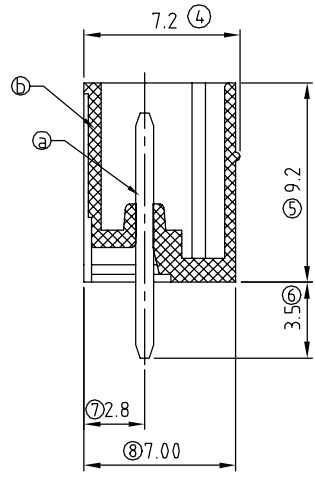
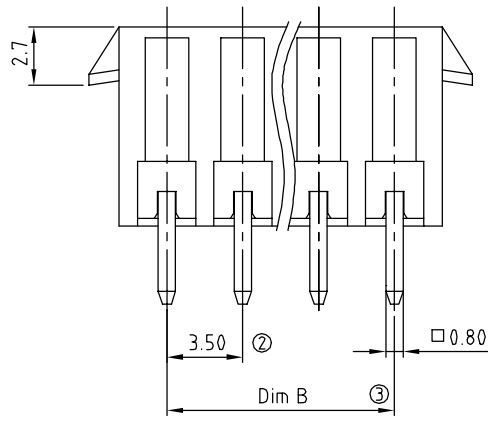
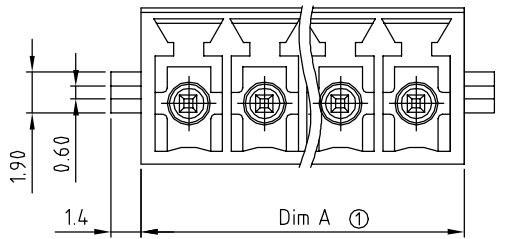


SIGN	DATE	DESCRIPTION	APPROVER
△			
THIS IS CAD DRAWING, DO NOT REVISE MANUALLY!!!			



RECOMMENDED P.C.B LAYOUT

DIMENSION

Dim A	(N-1)×3.5+4.4
Dim B	(N-1)×3.5

N= NUMBER OF CONCATS

Poles	Tolerance
2P-6P	±0.15
7P-12P	±0.20
13P-18P	±0.25
19P-24P	±0.30

- Material:
- Item ③ Male contact pin: Copper Tin plated
  - Item ⑤ Terminal (housing): Thermoplastic (UL94V-0)

- Electrical: cULus /VDE
- Voltage rating: 300V/300V
  - Current rating: 10A/10.5A
  - Withstanding Voltage: 1.6 KV/2.5KV
  - Operating temperature: -40°C to +115°C
  - Soldering temperature: 250°C±10°C/5 Sec
  - Safety Approval:

OQ xx 1 2 x 0 x3xx G

No. OF POLES  
 02: 2 POLES  
 :  
 :  
 24: 24 POLES

Color  
 0 Black (RAL9005)  
 2 Red (RAL3001/D)  
 3 Orange(RAL2011/P)  
 4 Yellow(RAL1018/A)  
 5 Green(RAL6018/T)  
 6 Blue (RAL5015/A)  
 8 Grey(RAL7035/D)

G: Pb<4000ppm  
 0300: "@ " Logo  
 030A: "ANYTEK" Logo  
 Any special item by customer request. please contact sales department.

<b>ANYTEK</b>				<b>CUSTOMER COPY</b>			
ALL RIGHTS RESERVED. REPRODUCTION OR ISSUE TO THIRD PARTIES IN ANY FORM WHATSOEVER IS NOT PERMITTED WITHOUT WRITTEN AUTHORITY FROM THE PROPRIETOR. PROPERTY OF ANYTEK TECHNOLOGY CO., LTD							
TITLE		OQ 3.5mm Series 2P-24P 180° With Latch holder					
PART NO.		OQxx12x0x3xxG			DWG NO.		80Q.04.110
APPROVED		CHECKED	DESIGNED	DRAWN	CUST NO.		Tolerance
			Aaron 2010.02.24	Jacke 2009.12.09			X. ±0.50 X.X ±0.30 X.XX ±0.10 X° ±1°
				SHEET: 01/01		UNIT: mm	
						SCALE: NONE	
						REV.: B	

## X-ON Electronics

Largest Supplier of Electrical and Electronic Components

*Click to view similar products for [Pluggable Terminal Blocks](#) category:*

*Click to view products by [Amphenol](#) manufacturer:*

Other Similar products are found below :

[57.510.0053](#) [MC 1.5/ 6-ST-3.5 GY AU](#) [734-104](#) [734-302](#) [8-141-P](#) [8426620000](#) [860505](#) [860810](#) [GBPACX-12](#) [93.731.4953.0](#) [PV05-5,08-K](#)  
[PVP04-3,50](#) [PVS02-5,00](#) [1-1986160-3](#) [1377680000](#) [1531000000](#) [1546228-5](#) [ELFH16150](#) [ELFP03110](#) [ELFP10210](#) [ELFT06250](#)  
[ELVP03100](#) [1700410](#) [1700425](#) [1702246](#) [1717806](#) [1719600](#) [1734692](#) [1734795](#) [1740291](#) [1752441](#) [1752865](#) [1754144](#) [1760051](#) [1760336](#)  
[1777701](#) [1783410](#) [1800227](#) [1801080](#) [1836888](#) [1848818](#) [1849079](#) [1860870](#) [1876327](#) [1896417](#) [1903096](#) [19346](#) [1946309](#) [1970579](#) [1973592](#)