

SIGN	DATE	DESCRIPTION	APPROVER
△	8/16'06	Added VDE and TUV standard	Steady
△	8/16'06	Current rating (cULus) changed from 10A to 20A	Steady
△	1/20'07	Soldering temperature changed from 245° to 250°	Tony
△	2009.10.21	The material is changed from Brass to Copper	Jacke
△	2009.10.21	The operating temperature is changed	Jacke
△	2009.10.21	Remove the CSA certification	Jacke
△	2010.03.22	The design is changed	Jacke
△	2013.06.13	update the drawing	Chen Bo

THIS IS CAD DRAWING, DO NOT REVISE MANUALLY!!!

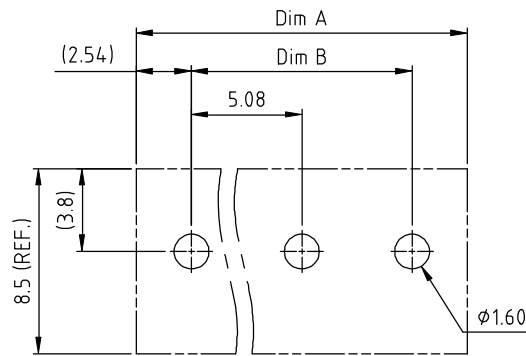
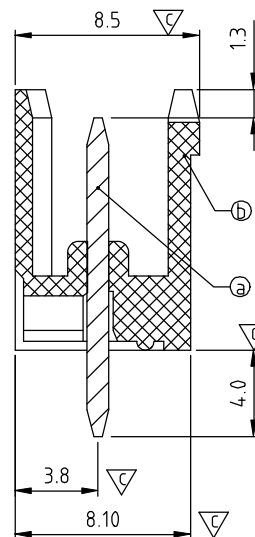
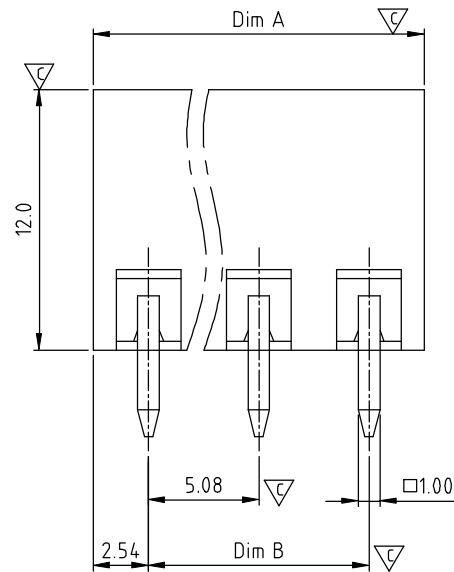
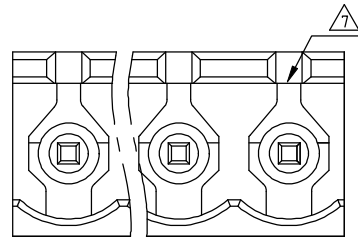
Material:

- ④ ● Item ④ Male contact pin: Copper ,Tin plated
- Item ⑤ Terminal(housing): Thermoplastic (UL94V-0)

- ⑥ ① Electrical: cULus VDE /TUV
- Voltage rating: 300V/300V/300V
- ② ● Current rating: 20A/20A/20A
- Withstanding Voltage: 16 KV/2.5KV/2.5KV
- ⑤ ● Operating temperature: -40°C to +115°C
- ③ ● Soldering temperature: 260°C±5°C/5 Sec
- Safety Approval:
- Critical dimension: ▽

OQ xx 5 3 x 0 xxxx G

- No. OF POLES: 02: 2 POLES, 24: 24 POLES
- COLOR: 0 Black (RAL9005), 2 Red (RAL3001/D), 3 Orange(RAL2011/P), 4 Yellow(RAL1018/A), 5 Green(RAL6018/T), 6 Blue (RAL5015/A), 8 Grey(RAL7035/D), 9 White(RAL1102), C Green(RAL6018/U)
- G RoHS compliant (lead<4%) In copper Alloy
- 0000: "@ " Logo (Standard)
- 000A: "ANYTEK" Mark
- Any special item by customer request. please contact sales department.



RECOMMENDED PCB LAYOUT

N = Number of poles
 Dim A=Nx5.08
 Dim B=(N-1)x5.08

	Dim A	Dim B
2-6p	±0.15	±0.10
7-12p	±0.25	±0.15
13-18p	±0.30	±0.20
19-24p	±0.40	±0.30

ANYTEK				CUSTOMER COPY			
ALL RIGHTS RESERVED. REPRODUCTION OR ISSUE TO THIRD PARTIES IN ANY FORM WHATSOEVER IS NOT PERMITTED WITHOUT WRITTEN AUTHORITY FROM THE PROPRIETOR. PROPERTY OF ANYTEK TECHNOLOGY CO., LTD							
TITLE		OQ 5.08mm 180° /Open Series 2p-24p					
PART NO.		OQxx53x0xxxxG			DWG NO.		80Q0701
APPROVED		DESIGNED	DRAWN	CUST NO.		Tolerance	
		Chen Bo	Chen Bo			X.	±0.50
		06/13`13	06/13`13			X.X	±0.30
				SHEET: 01/01		X.XX	±0.10
						X°	±1°

X-ON Electronics

Largest Supplier of Electrical and Electronic Components

Click to view similar products for [Pluggable Terminal Blocks](#) category:

Click to view products by [Amphenol](#) manufacturer:

Other Similar products are found below :

[57.510.0053](#) [MC 1.5/ 6-ST-3.5 GY AU](#) [734-104](#) [734-302](#) [8-141-P](#) [8426620000](#) [860505](#) [860810](#) [GBPACX-12](#) [93.731.4953.0](#) [PV05-5,08-K](#)
[PVP04-3,50](#) [PVS02-5,00](#) [1-1986160-3](#) [1377680000](#) [1531000000](#) [1546228-5](#) [ELFH16150](#) [ELFP03110](#) [ELFP10210](#) [ELFT06250](#)
[ELVP03100](#) [1700410](#) [1700425](#) [1702246](#) [1717806](#) [1719600](#) [1734692](#) [1734795](#) [1740291](#) [1752441](#) [1752865](#) [1754144](#) [1760051](#) [1760336](#)
[1777701](#) [1783410](#) [1800227](#) [1801080](#) [1836888](#) [1848818](#) [1849079](#) [1860870](#) [1876327](#) [1896417](#) [1903096](#) [19346](#) [1946309](#) [1970579](#) [1973592](#)