

SIGN	DATE	DESCRIPTION	APPROVER
△	10/20'05	Dim changed from 3.8 to 3.5	Marvin
△	04/20'06	added feature	Marvin
△	8/16'06	Added VDE standard	Steady
△	1/11'07	Soldering temperature changed from 245° to 250°	Tony
△	12/27'07	Body flange is changed	Marvin
△	5/27'08	Operating temperature is changed	Marvin
△	2009.08.18	The material is changed	Jacke
△	2009.08.28	The design is changed from the round hole to hexagonal hole	Jacke
△	2010.07.07	Remove the CSA mark	Chen Bo
△	11/18'11	Flange nut is changed	ChenMing
△	2012.05.14	Voltage rating is changed	Chen Bo
△	2012.05.14	The Dimension Dim C & Dim D are added	Chen Bo

THIS IS CAD DRAWING, DO NOT REVISE MANUALLY!!!

N= Number of contacts

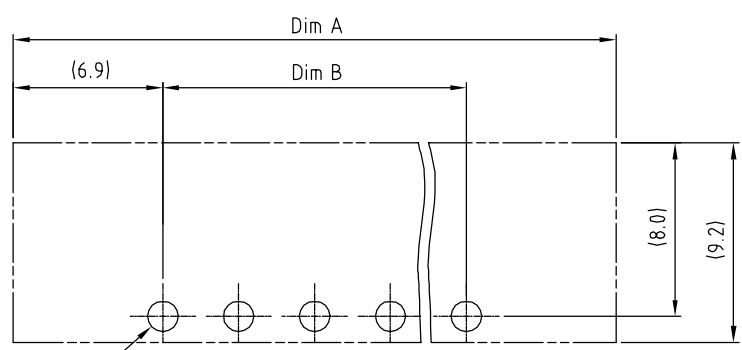
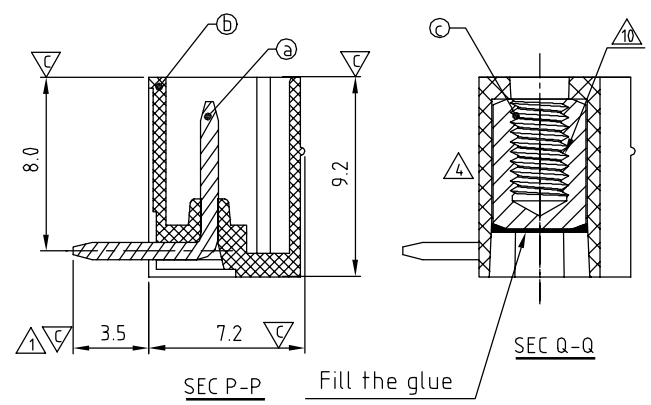
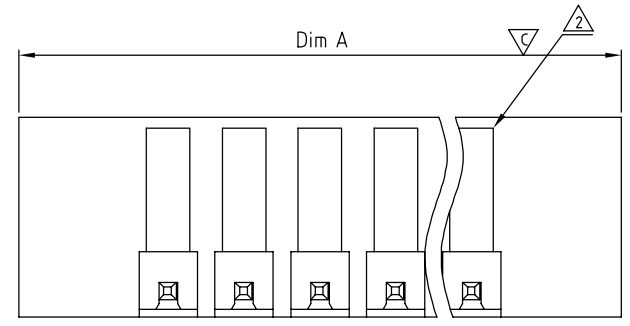
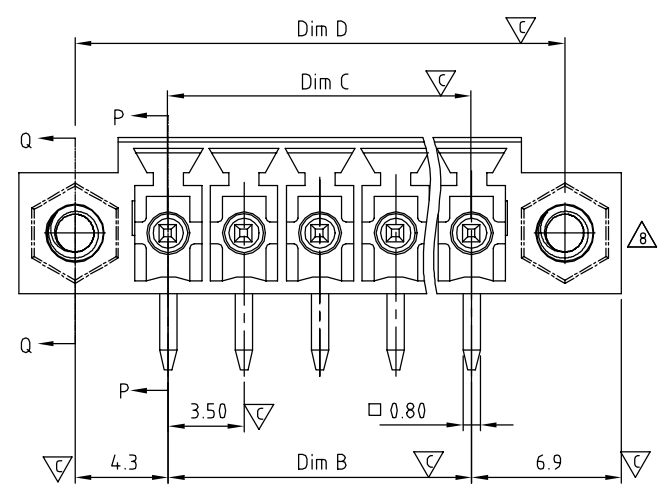
Dim A	$(N-1) \times 3.5 + 13.8$
Dim B	$(N-1) \times 3.5$
Dim C	$(N-1) \times 3.5$
Dim D	$(N-1) \times 3.5 + 8.6$

2p-6p	±0.15
7p-12p	±0.20
13p-16p	±0.25
17p-24p	±0.30

- Material:
- △ Item ① Male contact pin: Copper C1100 Tin plated
 - Item ② Terminalhousing: Thermoplastic (UL94V-0)
 - Item ③ With flange nut: Brass M2.5
- Electrical: cULus /VDE
- Voltage rating: 300V/300V
 - Current rating: 10A/10.5A
 - Withstanding Voltage: 1.6 KV/2.5KV
 - Operating temperature: -40°C to +115°C
 - Soldering temperature: 250°C±10°C/5 Sec
 - Safety Approval:
 - Critical dimension: ∇

OQ xx 1 5 x 1 xxxx G

- No. OF POLES: 02: 2 POLES
24: 24 POLES
- Color
- 0 Black (RAL9005)
 - 2 Red (RAL3001/D)
 - 3 Orange(RAL2011/P)
 - 4 Yellow(RAL1018/A)
 - 5 Green(RAL6018/T)
 - 6 Blue (RAL5015/A)
 - 8 Grey(RAL7035/D)
- G RoHS compliant (lead<4%) In copper Alloy
- 0000: "@ " Logo
000A: "ANYTEK" Logo
Any special item by customer request.
please contact sales department.



ANYTEK		CUSTOMER COPY	
ALL RIGHTS RESERVED. REPRODUCTION OR ISSUE TO THIRD PARTIES IN ANY FORM WHATSOEVER IS NOT PERMITTED WITHOUT WRITTEN AUTHORITY FROM THE PROPRIETOR. PROPERTY OF ANYTEK TECHNOLOGY CO., LTD			
TITLE	OQ 3.5mm 90° Series With flange		
PART NO.	OQxx15x1xxxxG	DWG NO.	80Q0404
APPROVED	CHECKED	DESIGNED	DRAWN
		Chen Bo 05/14'12	Chen Bo 05/14'12
SHEET: 01/01		Tolerance	
		UNIT: mm	X. ±0.50
		SCALE: NONE	X.X ±0.30
REV.: N		X.XX ±0.10	X° ±1°

X-ON Electronics

Largest Supplier of Electrical and Electronic Components

Click to view similar products for [Pluggable Terminal Blocks](#) category:

Click to view products by [Amphenol](#) manufacturer:

Other Similar products are found below :

[57.510.0053](#) [MC 1.5/ 6-ST-3.5 GY AU](#) [734-104](#) [734-302](#) [8-141-P](#) [8426620000](#) [860505](#) [860810](#) [GBPACX-12](#) [93.731.4953.0](#) [PV05-5,08-K](#)
[PVP04-3,50](#) [PVS02-5,00](#) [1-1986160-3](#) [1377680000](#) [1531000000](#) [1546228-5](#) [ELFH16150](#) [ELFP03110](#) [ELFP10210](#) [ELFT06250](#)
[ELVP03100](#) [1700410](#) [1700425](#) [1702246](#) [1717806](#) [1719600](#) [1734692](#) [1734795](#) [1740291](#) [1752441](#) [1752865](#) [1754144](#) [1760051](#) [1760336](#)
[1777701](#) [1783410](#) [1800227](#) [1801080](#) [1836888](#) [1848818](#) [1849079](#) [1860870](#) [1876327](#) [1896417](#) [1903096](#) [19346](#) [1946309](#) [1970579](#) [1973592](#)