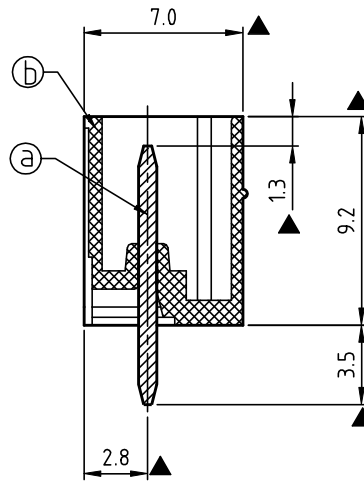
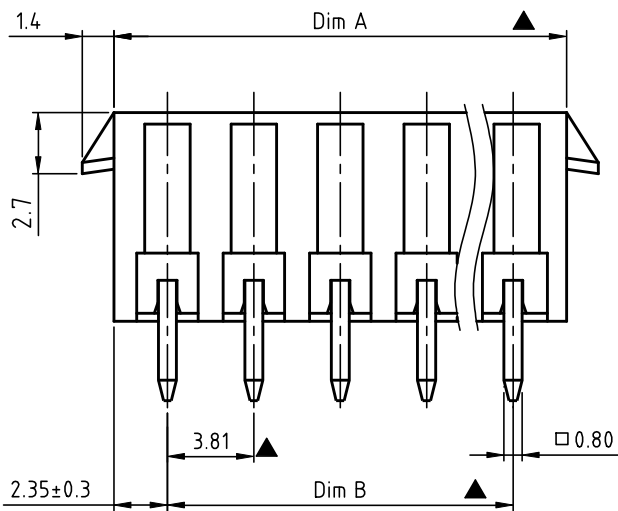
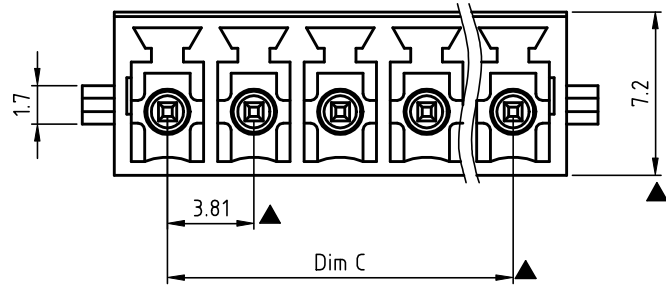


RoHS Compliant

REV	SIGN	DATE	DESCRIPTION	APPROVER
B		02/23-21	Initial release	Chen Bo

THIS IS CAD DRAWING, DO NOT REVISE MANUALLY!!!



Material:

- Item (a) Male contact pin: Copper, Bright Tin plated over Nickel plated
- Item (b) Terminalhousing: Thermoplastic (UL94V-0)

Electrical:

- Voltage rating: 300V/300V
- Current rating: 10A/10.5A
- Withstanding Voltage: 1.6 KV/2.5KV
- Operating temperature: -40°C to +115°C
- Wave Soldering temperature: 260°C±5°C/5 Sec
- Safety Approval:
- Critical dimension: ▲

OQ xx 3 7 x 0 xxxx G

No. OF POLES
02: 2 POLES
:
24: 24 POLES

- COLOR
- 0 Black (RAL9005)
 - 2 Red (RAL3001/D)
 - 3 Orange (RAL2011/P)
 - 4 Yellow (RAL1018/A)
 - 5 Green (RAL6018/T)
 - 6 Blue (RAL5015/A)
 - 8 Grey (RAL7035/D)
 - 9 White
 - C Green (RAL6018/U)

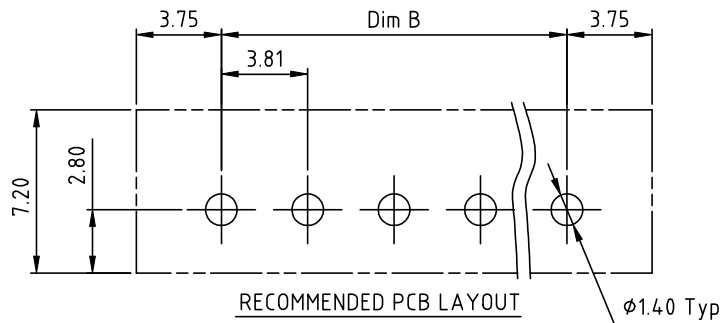
G RoHS compliant (lead<4%)
In copper Alloy
0000: "@" Logo (Standard)
000A: "ANYTEK" Mark
Any special item by customer request.
please contact sales department.

DIMENSION

Dim A	$(N-1) \times 3.81 + 4.70$
Dim B	$(N-1) \times 3.81$
Dim C	$(N-1) \times 3.81$

N= NUMBER OF POLES

Poles	Dim A/B/C Tolerance
2P-6P	±0.15
7P-12P	±0.20
13P-16P	±0.25
17P-24P	±0.35



Amphenol ANYTEK				CUSTOMER COPY		
ALL RIGHTS RESERVED. REPRODUCTION OR ISSUE TO THIRD PARTIES IN ANY FORM WHATSOEVER IS NOT PERMITTED WITHOUT WRITTEN AUTHORITY FROM THE PROPRIETOR. PROPERTY OF ANYTEK TECHNOLOGY CO., LTD						
TITLE		OQ 3.81mm Series 180° (2P-24P) ---With hook				
PART NO.		OQxx37x00000G/OQxx37x0000AG		DWG NO.		80Q0632
APPROVED		CHECKED		DESIGNED		DRAWN
		Chen Bo 02/23-21		Chen Bo 02/03-21		CUST NO.
						Tolerance
						X. ±0.50
						X.X ±0.30
						X.XX ±0.10
						X° ±1°
				SHEET: 01/01		REV.: B

X-ON Electronics

Largest Supplier of Electrical and Electronic Components

Click to view similar products for [Pluggable Terminal Blocks](#) category:

Click to view products by [Amphenol](#) manufacturer:

Other Similar products are found below :

[57.510.0053](#) [721-104/026-047](#) [721-204/026-045](#) [MC 1.5/ 6-ST-3.5 GY AU](#) [ET02015000J0G](#) [860505](#) [860516](#) [860810](#) [GBPACX-12](#)
[93.731.4953.0](#) [PV05-5,08-K](#) [PVP03-3,50](#) [PVS02-5,00](#) [1-1986160-3](#) [1377680000](#) [1531000000](#) [1546228-5](#) [ELFP03110](#) [ELFP10210](#)
[ELFT06250](#) [ELFT07250](#) [ELVD12100](#) [ELVF09400](#) [ELXH071G0E](#) [1634640000](#) [1725220000](#) [1760336](#) [1855000000](#) [19346](#) [1946309](#)
[1973592](#) [19892](#) [2-1546857-6](#) [25.320.4053.1](#) [25.320.4553.9](#) [25.320.4753.1](#) [25.320.5453.1](#) [25.340.0353.1](#) [25.340.1053.1](#) [25.345.3553.0M001](#)
[25.640.3553.1](#) [SH02-5,08](#) [SH06-3,81](#) [SH08-5,08](#) [SH08-5,08-K](#) [SH12-5,08](#) [SHS04-5,00](#) [30.303](#) [30.305](#) [30.306](#)