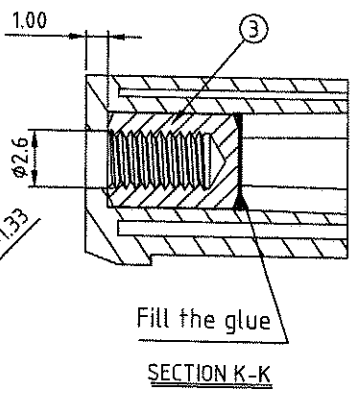
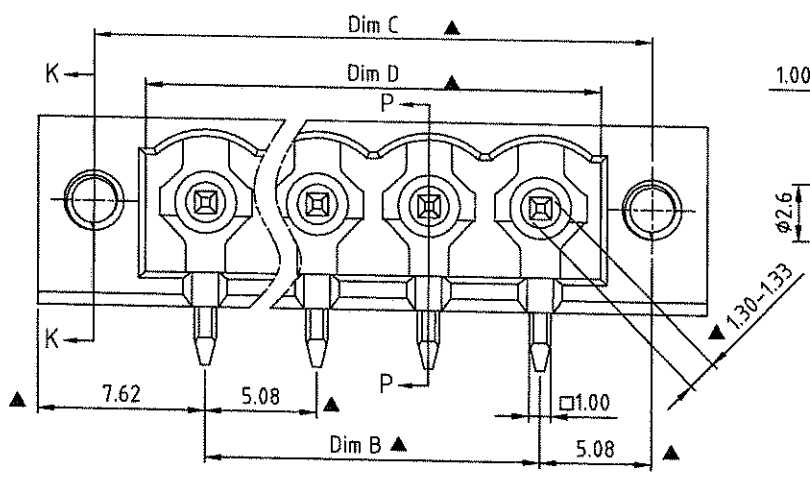
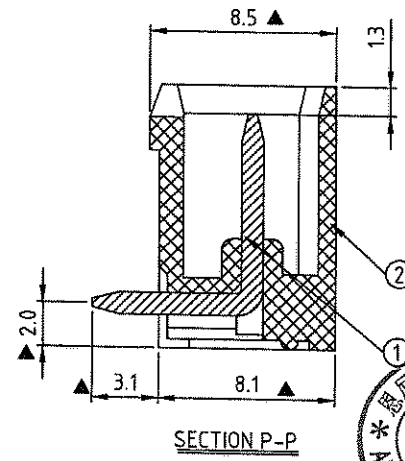
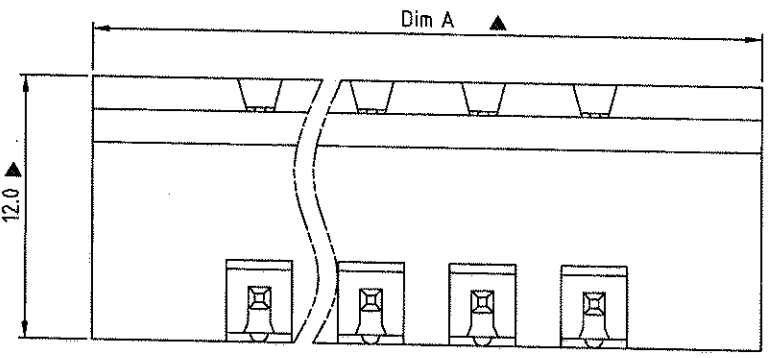


REV	SIGN	DATE	DESCRIPTION	APPROVER
B		2018-01-02	The first release	Zhuhua

RoHS Compliant  
THIS IS CAD DRAWING, DO NOT REVISE MANUALLY!!!



- Material:
- Item ① Contact pin: Copper, Tin plated
  - Item ② Insulator(housing): Thermoplastic (UL94V-0)
  - Item ③ With flange nut: Brass ,M2.5
- Electrical: cULus
- Voltage rating: 300V
  - Current rating: 20A
  - Withstanding Voltage: 1.6 KV
  - Operating temperature: -40°C to +115°C
  - Soldering temperature: 260°C±5°C/5 Sec
  - Safety Approval:
  - Critical dimension:

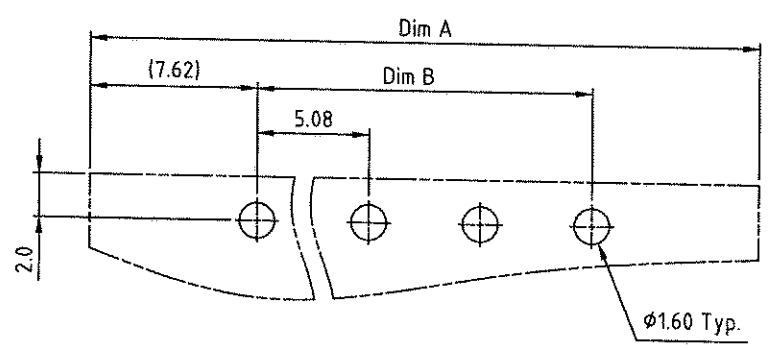


OQ xx 5 5 x A xxxx G

No. OF POLES  
02: 2 POLES  
.....  
24: 24 POLES

COLOR  
0 Black (RAL9005)  
2 Red (RAL3001/D)  
3 Orange(RAL2011/P)  
4 Yellow(RAL1018/A)  
5 Green(RAL6018/T)  
6 Blue (RAL5015/A)  
8 Grey(RAL7035/D)  
White(RAL1102)  
Green(RAL6018/U)

G RoHS compliant (lead<4%)  
In copper Alloy  
0000 "®" Logo  
000A "ANY" Logo  
... ..  
Any special item by customer request, please contact sales department



DIMENSION

Dim A	(N+2) × 5.08
Dim B	(N-1) × 5.08
Dim C	(N-1) × 5.08+10.16
Dim D	(N-1) × 5.08+5.48

N = Number of poles

2p-6p	±0.15
7p-12p	±0.25
13p-16p	±0.35
17p-24p	±0.40



# Amphenol ANYTEK

## CUSTOMER COPY

ALL RIGHTS RESERVED. REPRODUCTION OR ISSUE TO THIRD PARTIES IN ANY FORM WHATSOEVER IS NOT PERMITTED WITHOUT WRITTEN AUTHORITY FROM THE PROPRIETOR. PROPERTY OF ANYTEK TECHNOLOGY CO., LTD

TITLE		OQ 5.08mm 90° /With Flange Series 物料清單 (反向)		
PART NO.		DWG NO. 80Q07439		
APPROVED	CHECKED	DESIGNED	DRAWN	CUST NO.
		Zhuhua 2018.01.02	Zhuhua 2018.01.02	
				Tolerance
				X. ±0.50
				X.X ±0.30
				X.XX ±0.10
				X° ±1°

SHEET: 01/01    UNIT: mm    SCALE: NONE    REV: B

## X-ON Electronics

Largest Supplier of Electrical and Electronic Components

*Click to view similar products for [Pluggable Terminal Blocks](#) category:*

*Click to view products by [Amphenol](#) manufacturer:*

Other Similar products are found below :

[57.510.0053](#) [MC 1.5/ 6-ST-3.5 GY AU](#) [734-104](#) [734-302](#) [8-141-P](#) [8426620000](#) [860505](#) [860810](#) [GBPACX-12](#) [93.731.4953.0](#) [PV05-5,08-K](#)  
[PVP04-3,50](#) [PVS02-5,00](#) [1-1986160-3](#) [1377680000](#) [1531000000](#) [1546228-5](#) [ELFH16150](#) [ELFP03110](#) [ELFP10210](#) [ELFT06250](#)  
[ELVP03100](#) [1700410](#) [1700425](#) [1702246](#) [1717806](#) [1719600](#) [1734692](#) [1734795](#) [1740291](#) [1752441](#) [1752865](#) [1754144](#) [1760051](#) [1760336](#)  
[1777701](#) [1783410](#) [1800227](#) [1801080](#) [1836888](#) [1848818](#) [1849079](#) [1860870](#) [1876327](#) [1896417](#) [1903096](#) [19346](#) [1946309](#) [1970579](#) [1973592](#)