

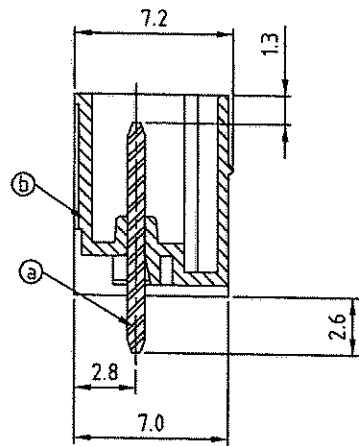
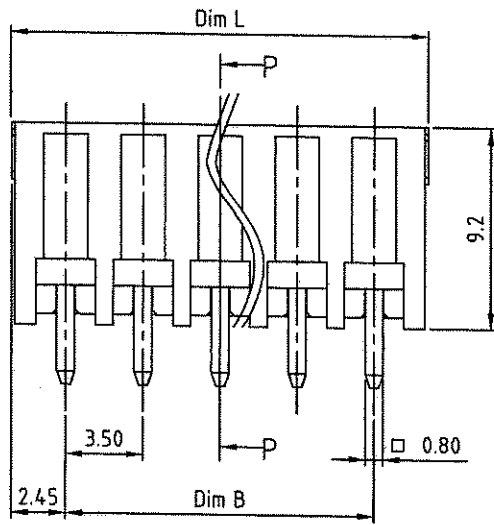
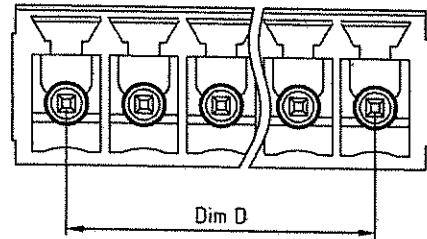
SIGN	DATE	DESCRIPTION	APPROVER
△			

THIS IS CAD DRAWING, DO NOT REVISE MANUALLY!!!

N=Number of poles

Dim L	$(N-1) \times 3.50 + 4.9$
Dim B	$(N-1) \times 3.50$
Dim D	$(N-1) \times 3.50$

Poles	Dim B & Dim D	Dim L
2p	±0.10	±0.15
3p-6p	±0.15	±0.15
7p-12p	±0.20	±0.20
13p-16p	±0.30	±0.30



SECTION P-P

Material:

- Item ① Male contact pin: Copper, Bright Tin plated over Nickel plated
- Item ② Terminalhousing: LCP (UL94V-0)

Electrical:

- Voltage rating: 300V
- Current rating: 10A
- Withstanding Voltage: 1.6 KV
- Operating temperature: -45°C to +130°C
- Reflow soldering temperature: 260°C/10 Sec max
- Safety Approval:

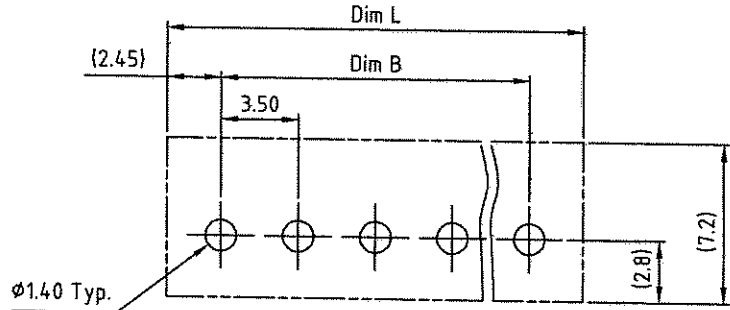


00 xx 1 G x 0 xxxx G

No. OF POLES
02: 2 POLES
03: 3 POLES
:
16: 16 POLES

0 Black (RAL9005)

G RoHS compliant (lead-4%)
In copper Alloy
0000: "@" Logo (Standard)
000A: "ANYTEK" Mark
Any special item by customer request.
please contact sales department.



RECOMMENDED PCB LAYOUT
TOP VIEW

Amphenol ANYTEK				CUSTOMER COPY			
ALL RIGHTS RESERVED. REPRODUCTION OR ISSUE TO THIRD PARTIES IN ANY FORM WHATSOEVER IS NOT PERMITTED WITHOUT WRITTEN AUTHORITY FROM THE PROPRIETOR. PROPERTY OF ANYTEK TECHNOLOGY CO., LTD.							
TITLE		00 3.50mm 180° Series 2P-16P Close THR					
PART NO.		00xx1Gx0xxxxG			DWG NO.		80Q0C25
APPROVED		CHECKED	DESIGNED	DRAWN	CUST NO.		Tolerance
			CHENMING	CHENMING			UNIT: mm
			10/22-16	10/22-16			SCALE: NONE
							REV: B
		SHEET: 01/01				X	±0.50
						X.X	±0.30
						X.XX	±0.10
						X°	±1°

X-ON Electronics

Largest Supplier of Electrical and Electronic Components

Click to view similar products for [Pluggable Terminal Blocks](#) category:

Click to view products by [Amphenol](#) manufacturer:

Other Similar products are found below :

[57.510.0053](#) [MC 1.5/ 6-ST-3.5 GY AU](#) [734-104](#) [734-302](#) [8-141-P](#) [8426620000](#) [860505](#) [860810](#) [GBPACX-12](#) [93.731.4953.0](#) [PV05-5,08-K](#)
[PVP04-3,50](#) [PVS02-5,00](#) [1-1986160-3](#) [1377680000](#) [1531000000](#) [1546228-5](#) [ELFH16150](#) [ELFP03110](#) [ELFP10210](#) [ELFT06250](#)
[ELVP03100](#) [1700410](#) [1700425](#) [1702246](#) [1717806](#) [1719600](#) [1734692](#) [1734795](#) [1740291](#) [1752441](#) [1752865](#) [1754144](#) [1760051](#) [1760336](#)
[1777701](#) [1783410](#) [1800227](#) [1801080](#) [1836888](#) [1848818](#) [1849079](#) [1860870](#) [1876327](#) [1896417](#) [1903096](#) [19346](#) [1946309](#) [1970579](#) [1973592](#)