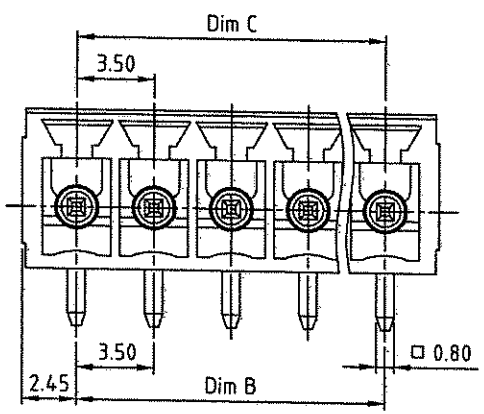
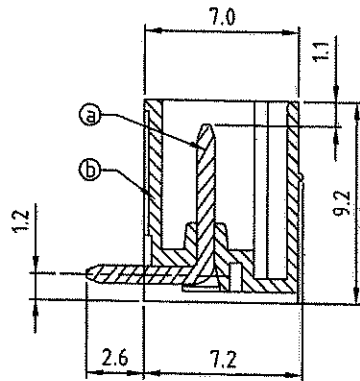
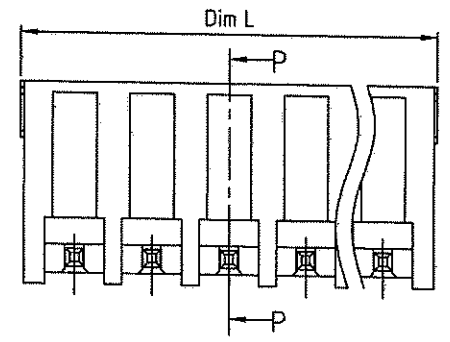


SIGN	DATE	DESCRIPTION	APPROVER
△			

THIS IS CAD DRAWING, DO NOT REVISE MANUALLY!!!



- Material:
- Item ② Male contact pin: Copper Bright Tin plated over Nickel plated
 - Item ③ Terminal(housing): LCP (UL94V-0)
- Electrical: cULus
- Voltage rating: 300V
 - Current rating: 10A
 - Withstanding Voltage: 1.6KV
 - Operating temperature: -45°C to +130°C
 - Reflow soldering temperature: 260°C/10 Sec Max.
 - Safety Approval: cULus



OQ xx 1 G 0 1 xxxx G

No. OF POLES
 02: 2 POLES
 03: 3 POLES
 :
 16: 16 POLES

G RoHS compliant (lead<4%) in copper Alloy
 0000: "@" Logo (Standard)
 000A: "ANYTEK" Mark
 Any special item by customer request. please contact sales department.

0 Black (RAL9005)

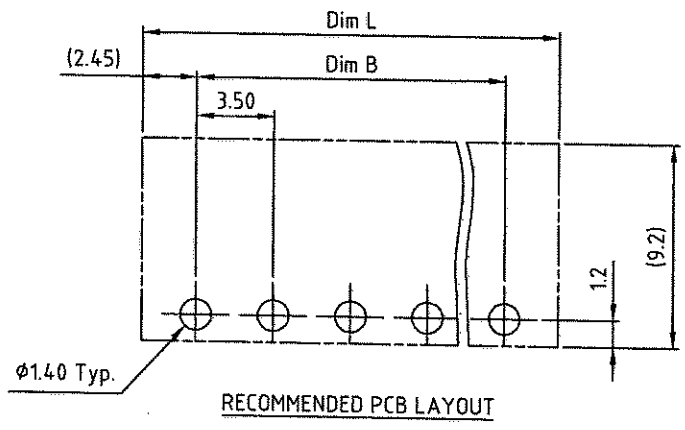


SECTION P-P

N=Number of poles

Dim L	$(N-1) \times 3.50 + 4.9$
Dim B	$(N-1) \times 3.50$
Dim C	$(N-1) \times 3.50$

Poles	Dim B&Dim C	Dim L
2p	±0.10	±0.15
3p-6p	±0.15	±0.15
7p-12p	±0.20	±0.20
13p-16p	±0.30	±0.30



Amphenol ANYTEK				CUSTOMER COPY			
ALL RIGHTS RESERVED. REPRODUCTION OR ISSUE TO THIRD PARTIES IN ANY FORM WHATSOEVER IS NOT PERMITTED WITHOUT WRITTEN AUTHORITY FROM THE PROPRIETOR. PROPERTY OF ANYTEK TECHNOLOGY CO., LTD.							
TITLE		OQ 3.50mm 90° Series Close THR					
PART NO.		OQxx1G01xxxxG		DWG NO.		80Q0C17	
APPROVED		CHECKED	DESIGNED	DRAWN	CUST NO.		Tolerance
		CHENMING	10/22-16	CHENMING	10/22-16		UNIT: mm
							SCALE: NONE
							REV.: B
SHEET: 01/01		X	±0.50	X.X	±0.30	X.XX	±0.10
		X°	±1°				

X-ON Electronics

Largest Supplier of Electrical and Electronic Components

Click to view similar products for [Pluggable Terminal Blocks](#) category:

Click to view products by [Amphenol](#) manufacturer:

Other Similar products are found below :

[57.510.0053](#) [MC 1.5/ 6-ST-3.5 GY AU](#) [734-104](#) [734-302](#) [8-141-P](#) [8426620000](#) [860505](#) [860810](#) [GBPACX-12](#) [93.731.4953.0](#) [PV05-5,08-K](#)
[PVP04-3,50](#) [PVS02-5,00](#) [1-1986160-3](#) [1377680000](#) [1531000000](#) [1546228-5](#) [ELFH16150](#) [ELFP03110](#) [ELFP10210](#) [ELFT06250](#)
[ELVP03100](#) [1700410](#) [1700425](#) [1702246](#) [1717806](#) [1719600](#) [1734692](#) [1734795](#) [1740291](#) [1752441](#) [1752865](#) [1754144](#) [1760051](#) [1760336](#)
[1777701](#) [1783410](#) [1800227](#) [1801080](#) [1836888](#) [1848818](#) [1849079](#) [1860870](#) [1876327](#) [1896417](#) [1903096](#) [19346](#) [1946309](#) [1970579](#) [1973592](#)