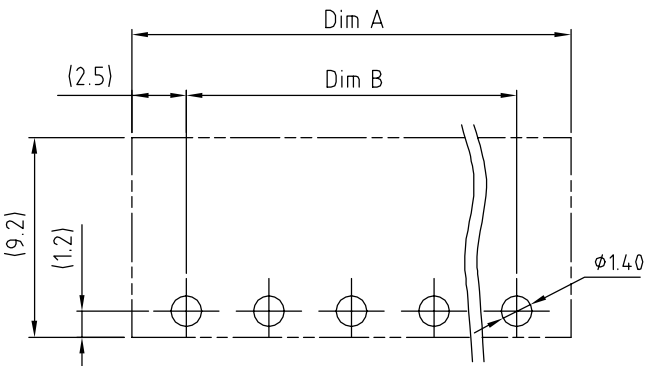
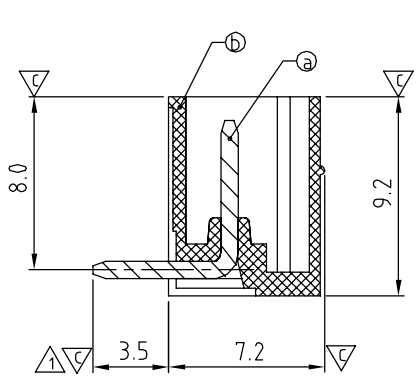
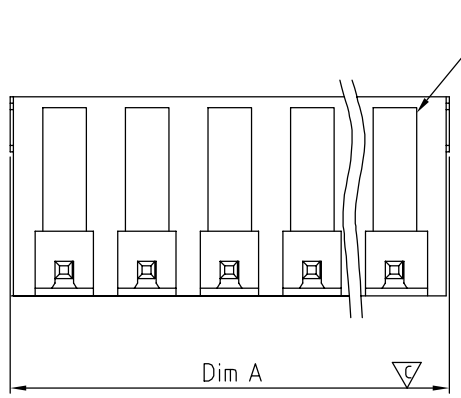


DIMENSION

A	$(N-1) \times 3.81 + 5.0$
B	$(N-1) \times 3.81$

N= number of poles

Poles	Tolerance
2P-6P	±0.15
7P-12P	±0.20
13P-18P	±0.25
19P-24P	±0.30



RECOMMENDED PCB LAYOUT

SIGN	DATE	DESCRIPTION	APPROVER
△	10/20'05	Dim changed from 3.8 to 3.5	Marvin
△	04/20'06	Added feature	Marvin
△	8/16'06	Added VDE standard	Steady
△	1/12'07	Soldering temperature changed from 245° to 250°	Tony
△	5/27'08	Operating temperature is changed	Marvin
△	2009.08.18	The material is changed	Jacke
△	2010.07.07	Remove the CSA mark	Chen Bo
△	2010.12.21	Dim changed from 2.6 to 2.5	Runner
△	2012.05.22	Voltage rating is changed	Chen Bo

THIS IS CAD DRAWING, DO NOT REVISE MANUALLY!!!

Material:

- Item ③ Male contact pin: Copper C1100 Tin plated
- Item ⑤ Terminalhousing): Thermoplastic (UL94V-0)

- △ Electrical: cULus /VDE
- △ ● Voltage rating: 300V/300V
- Current rating: 10A/10.5A
- Withstanding Voltage: 1.6 KV/2.5KV
- △ ● Operating temperature: -40°C to +115°C
- △ ● Soldering temperature: 250°C±10°C/5 Sec
- △ ● Safety Approval:
- Critical dimension: ▽

OQ xx 3 2 x 1 xxxx G

- No. OF POLES: 02: 2 POLES, 24: 24 POLES
- COLOR: 0 Black (RAL9005), 2 Red (RAL3001/D), 3 Orange(RAL2011/P), 4 Yellow(RAL1018/A), 5 Green(RAL6018/T), 6 Blue (RAL5015/A), 8 Grey(RAL7035/D), 9 White(RAL1102), C Green(RAL6018/U)
- G RoHS compliant (lead<4%) In copper Alloy
- 0000: "@ " Logo (Standard)
- 000A: "ANYTEK" Mark
- Any special item by customer request. please contact sales department.

<h1>ANYTEK</h1>		<h2>CUSTOMER COPY</h2> <p>ALL RIGHTS RESERVED. REPRODUCTION OR ISSUE TO THIRD PARTIES IN ANY FORM WHATSOEVER IS NOT PERMITTED WITHOUT WRITTEN AUTHORITY FROM THE PROPRIETOR. PROPERTY OF ANYTEK TECHNOLOGY CO., LTD</p>	
PART NO.	OQxx32x1xxxxX	DWG NO.	80Q.0602
APPROVED	CHECKED	DESIGNED	DRAWN
		Chen Bo 05/23'12	Chen Bo 05/23'12
SHEET: 01/01		<p>CUST NO. UNIT: mm Tolerance: X. ±0.50, X.X ±0.30, X.XX ±0.10, X° ±1°</p> <p>SCALE: NONE</p> <p>REV.: L</p>	

X-ON Electronics

Largest Supplier of Electrical and Electronic Components

Click to view similar products for [Pluggable Terminal Blocks](#) category:

Click to view products by [Amphenol](#) manufacturer:

Other Similar products are found below :

[57.404.7553](#) [57.504.0053.7](#) [57.510.0053](#) [57.910.6153](#) [01.112.1453](#) [CTB932VE/6](#) [MC 1.5/ 6-ST-3.5 GY AU](#) [ET02015000J0G](#) [734-104](#) [734-302](#) [734-304](#) [8-141-P](#) [FKCT 2.5/ 3-ST KMGY](#) [860505](#) [860508](#) [860516](#) [860810](#) [861908](#) [GBPACX-12](#) [93.731.4953.0](#) [PV05-5,08-K](#) [PVP02-5,00](#) [PVP04-3,50](#) [PVS02-5,00](#) [1-1986160-3](#) [H-10](#) [1546228-5](#) [ELFP03110](#) [ELVP03100](#) [ELXH03100](#) [ELXP041G0](#) [ELXT046G0](#) [1700101](#) [1700410](#) [1700425](#) [1703176](#) [1703243](#) [1705229](#) [1710175](#) [1714537](#) [1717806](#) [1719600](#) [1728941](#) [1729386](#) [1734692](#) [1734795](#) [1736036](#) [1740194](#) [1740291](#) [1740628](#)