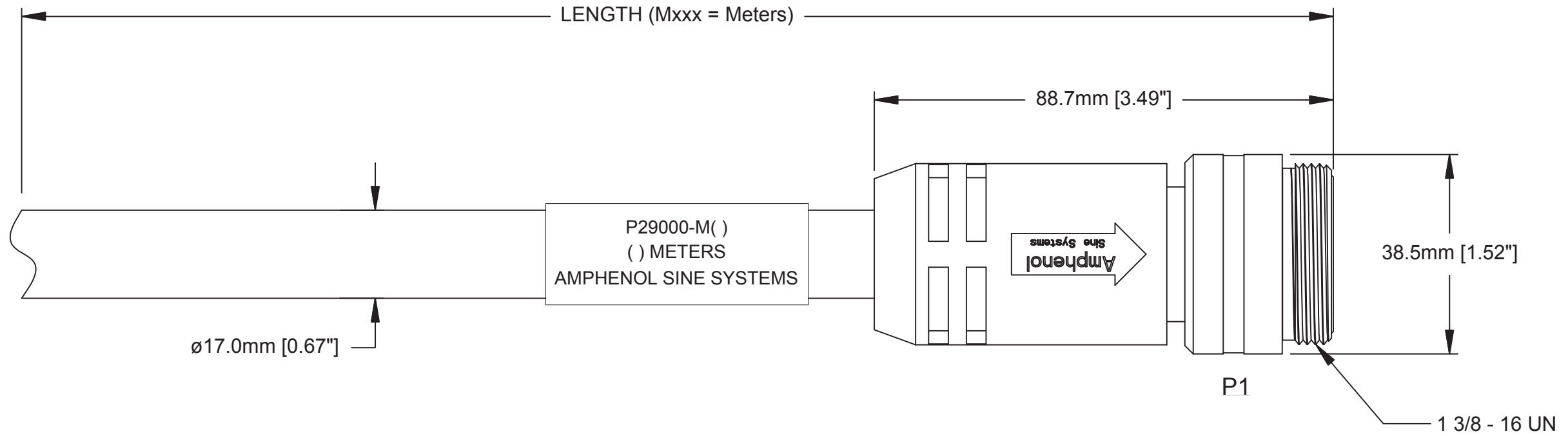
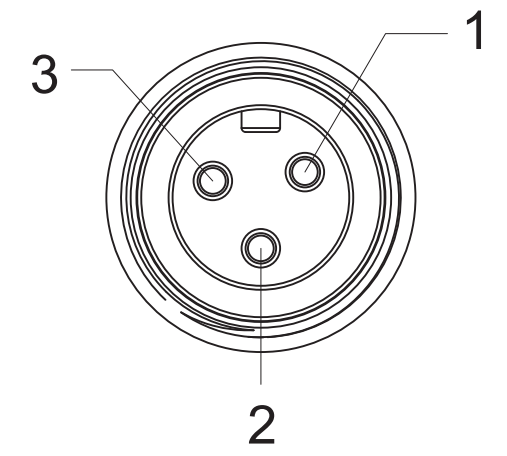
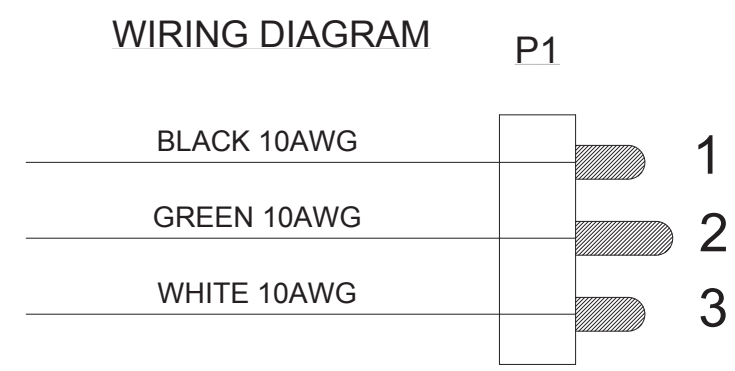


REVISIONS					
REV	ECO	DESCRIPTION	DATE	BY	APPR
A1	-	TECHNICAL DATA SHEET RELEASE	12-MAY-14	KMM	RFC



TECHNICAL DATA:

- 1) MATERIALS:
 - COUPLING NUT: MACHINED ALUMINUM, ANODIZED
 - INSULATION INSERT: THERMOPLASTIC, UL 94/V-0
 - CONTACT: GOLD FLASH PLATING OVER COPPER ALLOY
 - OVERMOLD MATERIAL: THERMOPLASTIC COLOR: BLACK
 - CABLE RATING: UL LISTED DUAL RATED TC-ER/STOOW, CSA TYPE STOOW, FT4 FLAME RATING, 600V, 90°C DRY & 75°C WET (TC-ER), 105°C (STOOW)
 - CABLE JACKET MATERIAL: PVC COLOR: BLACK
 - CONDUCTOR INSULATION: PVC
 - NUMBER OF CONDUCTORS: (3) 10AWG
- 2) ELECTRICAL DATA:
 - CURRENT (MAX): 30A
 - VOLTAGE (MAX): 600V AC/DC
 - INSULATION RESISTANCE (MIN): 5000M OHMS
 - DIELECTRIC TEST VOLTAGE: 2200V
 - SHORT CIRCUIT AMPERAGE RATING: 65kA - BREAKERS AND FUSES
- 3) MECHANICAL DATA:
 - TEMPERATURE RANGE: -40°C TO 90°C
 - PROTECTION: IP67 (MATED CONDITION)
 - MATING CYCLES: >500
 - VIBRATION RESISTANCE PER MIL-STD-202 METHOD 204
 - THERMAL SHOCK PER MIL-STD-202 METHOD 207
 - 48 HOUR SALT SPRAY PER MIL-STD-202 METHOD 101
- 4) RoHS COMPLIANT
- 5) UL 2237 LISTED ASSEMBLY
UL FILE NUMBERS: E339703



Risk of Electrical Shock
Do Not Disconnect Under Load.
Risque de chocs électriques
Ne pas debrancher sous tension.

WARNING

TOLERANCE	
0-2.99 M = +100.0/-25.0mm	0-9.99 FT = +4" / -1"
3-8.99 M = +150.0/-25.0mm	10.00-29.99 FT = +6" / -1"
9-14.99 M = +300.0/-25.0mm	30.00-49.99 FT = +12" / -1"
15-OVER M = +450.0/-25.0mm	50 FT-OVER = +18" / -1"

QUANTITY	PART NUMBER	DESCRIPTION	ITEM								
MATERIALS LIST											
UNLESS OTHERWISE SPECIFIED		<p>Sine Systems - www.amphenol-sine.com 44724 Morley Drive Clinton Township, MI 48036</p>									
1) All dimensions are in metric(mm).											
2) Tolerances are as follows:											
3) Note reference =											
SIGNATURES		DATE									
DRAWN: KMM		12-MAY-14									
CHECKED: MRF		12-MAY-14									
ENGINEER: KMM											
APPROVAL: RFC		12-MAY-14									
MATERIAL SPECIFICATIONS:		CUSTOMER:									
PROCESS SPECIFICATIONS:		THIS DRAWING IS SUPPLIED FOR INFORMATION ONLY. DESIGN FEATURES, SPECIFICATIONS AND PERFORMANCE DATA SHOWN HEREON ARE THE PROPERTY OF THE AMPHENOL CORPORATION. NO RIGHTS OF REPRODUCTION ARE IMPLIED. ALL DIMENSIONS ARE SUBJECT TO NORMAL MANUFACTURING VARIATIONS.									
NEXT ASSY:		SCALE: FULL									
		<table border="1"> <tr> <td>SIZE</td> <td>TYPE</td> <td>DWG NO:</td> <td>REVISION</td> </tr> <tr> <td></td> <td>C-</td> <td>P29000-Mxxx</td> <td>A1</td> </tr> </table>		SIZE	TYPE	DWG NO:	REVISION		C-	P29000-Mxxx	A1
SIZE	TYPE	DWG NO:	REVISION								
	C-	P29000-Mxxx	A1								
		<table border="1"> <tr> <td colspan="2">C-P29000</td> <td>SHEET 1</td> <td>OF 1</td> </tr> </table>		C-P29000		SHEET 1	OF 1				
C-P29000		SHEET 1	OF 1								

TTT435 PB LITE, 3 PIN, M-STR, 10AWG, TC-ER/STOOW, PVC JACKET, NO: C-P29000-Mxxx REV: A1 SH: 1 OF: 1

X-ON Electronics

Largest Supplier of Electrical and Electronic Components

Click to view similar products for [DC Power Cords](#) category:

Click to view products by [Amphenol](#) manufacturer:

Other Similar products are found below :

[2R6006A20A120](#) [172-4000](#) [172-4101](#) [2J-1865A](#) [2R7006A20A120](#) [426055400-3](#) [420680840-3](#) [96CB-POWER-B-1.8M2](#) [H-OU-27](#)
[2052KH2-BK](#) [804001P03M050G](#) [2031KK2-BK](#) [2050KH1-BK](#) [216603-0037](#) [1011324](#) [1012028](#) [862545-5](#) [BXC-10567](#) [172-2555](#) [32102-](#)
[022800-200-RS](#) [P29000-M2](#) [P29004-M2](#) [H-IN-10](#) [DC.CAB.0201.0150](#) [DC.CAB.0301.0150](#) [DC.CAB.0610.0150](#) [DC.CAB.1000.0150](#)
[DC.CAB.1000.0300](#) [DC.CAB.1400.0150](#) [DC.CAB.1410.0150](#) [DC.CAB.1500.0150](#) [DC.CAB.1811.0150](#) [DC.CAB.1900.0150](#)
[DC.CAB.1911.0150](#) [DC.CAB.2110.0150](#) [DC.CAB.2200.0020](#) [DC.CAB.2200.0300](#) [DC.CAB.2201.0020](#) [DC.CAB.2201.0300](#)
[DC.CAB.2400.0020](#) [DC.CAB.2600.0020](#) [DC.CAB.2610.0150](#) [DC.CAB.2701.0300](#) [DC.CAB.3011.0150](#) [DC.CAB.3111.0150](#)
[DC.EXT.0200.0300](#) [DC.EXT.0200.0500](#) [DC.EXT.1200.0300](#) [DC.INV.0200.0050](#) [DC.INV.0200.0100](#)