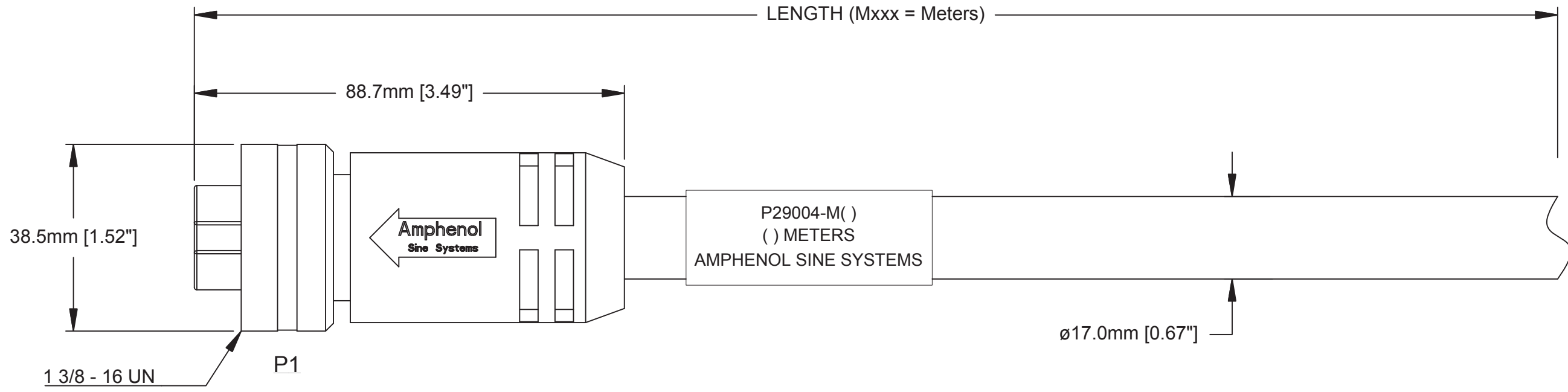
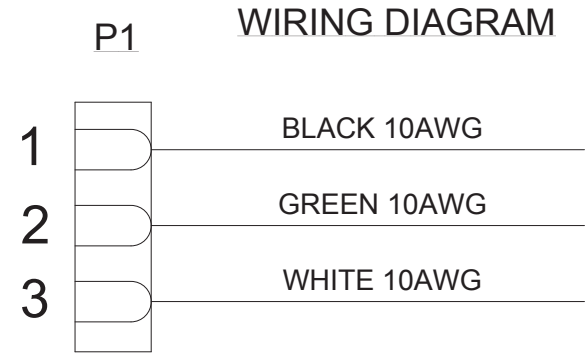
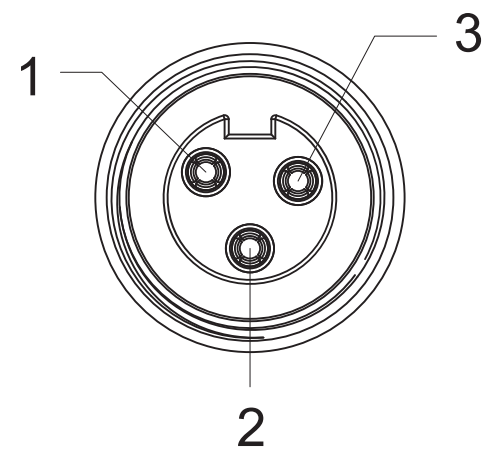


REVISIONS					
REV	ECO	DESCRIPTION	DATE	BY	APPR
A1	-	TECHNICAL DATA SHEET RELEASE	12-MAY-14	KMM	RFC



**TECHNICAL DATA:**

- MATERIALS:**
  - COUPLING NUT: MACHINED ALUMINUM, ANODIZED
  - INSULATION INSERT: THERMOPLASTIC, UL 94/V-0
  - CONTACT: GOLD FLASH PLATING OVER COPPER ALLOY
  - OVERMOLD MATERIAL: THERMOPLASTIC COLOR: BLACK
  - CABLE RATING: UL LISTED DUAL RATED TC-ER/STOOW, CSA TYPE STOOW, FT4 FLAME RATING, 600V, 90°C DRY & 75°C WET (TC-ER), 105°C (STOOW)
  - CABLE JACKET MATERIAL: PVC COLOR: BLACK
  - CONDUCTOR INSULATION: PVC
  - NUMBER OF CONDUCTORS: (3) 10AWG
- ELECTRICAL DATA:**
  - CURRENT (MAX): 30A
  - VOLTAGE (MAX): 600V AC/DC
  - INSULATION RESISTANCE (MIN): 5000M OHMS
  - DIELECTRIC TEST VOLTAGE: 2200V
  - SHORT CIRCUIT AMPERAGE RATING: 65kA - BREAKERS AND FUSES
- MECHANICAL DATA:**
  - TEMPERATURE RANGE: -40°C TO 90°C
  - PROTECTION: IP67 (MATED CONDITION)
  - MATING CYCLES: >500
  - VIBRATION RESISTANCE PER MIL-STD-202 METHOD 204
  - THERMAL SHOCK PER MIL-STD-202 METHOD 207
  - 48 HOUR SALT SPRAY PER MIL-STD-202 METHOD 101
- RoHS COMPLIANT**
- UL 2237 LISTED ASSEMBLY**  
UL FILE NUMBERS: E339703



Risk of Electrical Shock  
Do Not Disconnect Under Load.  
Risque de chocs électriques  
Ne pas debrancher sous tension.

**WARNING**

TOLERANCE	
0-2.99 M = +100.0/-25.0mm	0-9.99 FT = +4" / -1"
3-8.99 M = +150.0/-25.0mm	10.00-29.99 FT = +6" / -1"
9-14.99 M = +300.0/-25.0mm	30.00-49.99 FT = +12" / -1"
15-OVER M = +450.0/-25.0mm	50 FT-OVER = +18" / -1"

QUANTITY	PART NUMBER	DESCRIPTION	ITEM
<b>MATERIALS LIST</b>			
UNLESS OTHERWISE SPECIFIED		SIGNATURES	
1) All dimensions are in metric(mm).		DATE	
2) Tolerances are as follows:		DRAWN: KMM 12-MAY-14	
1 PL DEC ±0.30		CHECKED: MRF 12-MAY-14	
2 PL DEC ±0.15		ENGINEER: KMM	
3 PL DEC ±0.08		FRACTIONS ±1/64	
3) Note reference = X		ANGLES ±1°	
MATERIAL SPECIFICATIONS:		APPROVAL: RFC 12-MAY-14	
PROCESS SPECIFICATIONS:		CUSTOMER:	
NEXT ASSY:		THIS DRAWING IS SUPPLIED FOR INFORMATION ONLY. DESIGN FEATURES, SPECIFICATIONS AND PERFORMANCE DATA SHOWN HEREON ARE THE PROPERTY OF THE AMPHENOL CORPORATION. NO RIGHTS OF REPRODUCTION ARE IMPLIED. ALL DIMENSIONS ARE SUBJECT TO NORMAL MANUFACTURING VARIATIONS.	
SCALE: FULL		C-P29004	

# Amphenol

Sine Systems - www.amphenol-sine.com  
44724 Morley Drive  
Clinton Township, MI 48036

SIZE	TYPE	DWG NO:	REVISION
	<b>C-</b>	<b>P29004-Mxxx</b>	<b>A1</b>
SHEET 1 OF 1		C-P29004	

TITM35 PB LITE, 3 PIN, F-STR, 10AWG, TC-ER/STOOW, PVC DWG NO: C-P29004-Mxxx REV: A1 SH: 1 OF: 1

## X-ON Electronics

Largest Supplier of Electrical and Electronic Components

*Click to view similar products for [DC Power Cords](#) category:*

*Click to view products by [Amphenol](#) manufacturer:*

Other Similar products are found below :

[2R6006A20A120](#) [172-4000](#) [172-4101](#) [2J-1865A](#) [2R7006A20A120](#) [426055400-3](#) [420680840-3](#) [96CB-POWER-B-1.8M2](#) [H-OU-27](#)  
[2052KH2-BK](#) [804001P03M050G](#) [2031KK2-BK](#) [2050KH1-BK](#) [216603-0037](#) [1011324](#) [1012028](#) [862545-5](#) [BXC-10567](#) [172-2555](#) [32102-](#)  
[022800-200-RS](#) [H-IN-10](#) [DC.CAB.0201.0150](#) [DC.CAB.0301.0150](#) [DC.CAB.0610.0150](#) [DC.CAB.1000.0150](#) [DC.CAB.1000.0300](#)  
[DC.CAB.1400.0150](#) [DC.CAB.1410.0150](#) [DC.CAB.1500.0150](#) [DC.CAB.1811.0150](#) [DC.CAB.1900.0150](#) [DC.CAB.1911.0150](#)  
[DC.CAB.2110.0150](#) [DC.CAB.2200.0020](#) [DC.CAB.2200.0300](#) [DC.CAB.2201.0020](#) [DC.CAB.2201.0300](#) [DC.CAB.2400.0020](#)  
[DC.CAB.2600.0020](#) [DC.CAB.2610.0150](#) [DC.CAB.2701.0300](#) [DC.CAB.3011.0150](#) [DC.CAB.3111.0150](#) [DC.EXT.0200.0300](#)  
[DC.EXT.0200.0500](#) [DC.EXT.1200.0300](#) [DC.INV.0200.0050](#) [DC.INV.0200.0100](#) [DC.SPL.0600.0035](#) [150207-0009](#)