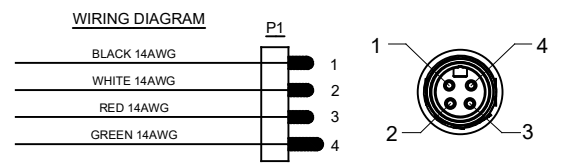
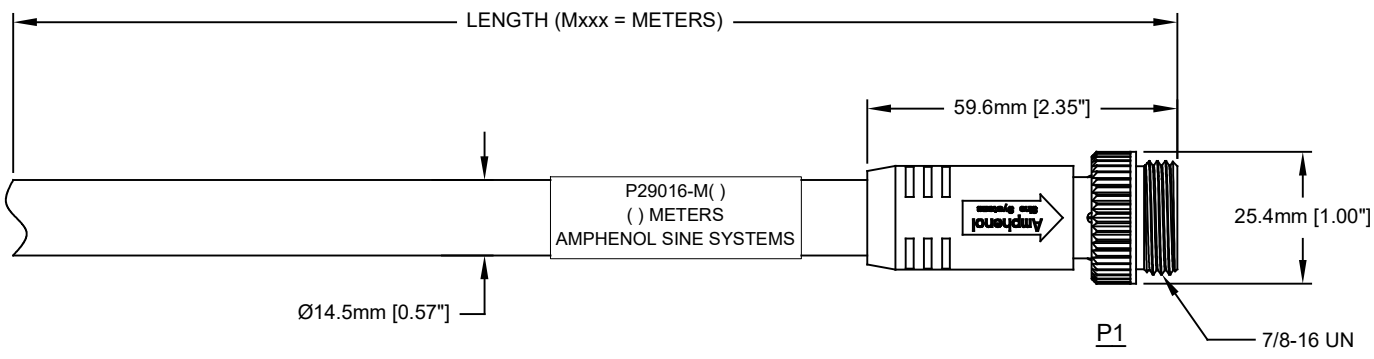


REVISIONS					
REV	ECO	DESCRIPTION	DATE	BY	APPR
A1	-	TECHNICAL DATA SHEET RELEASE	12-MAY-14	KMM	RFC



**TECHNICAL DATA:**

- 1) MATERIALS:  
 COUPLING NUT: MACHINED ALUMINUM, ANODIZED  
 INSULATION INSERT: THERMOPLASTIC, UL 94/V-0  
 CONTACT: GOLD FLASH PLATING OVER COPPER ALLOY  
 OVERMOLD MATERIAL: THERMOPLASTIC COLOR: BLACK  
 CABLE RATING: UL LISTED DUAL RATED TC-ER/STOOW, CSA TYPE STOOW, FT4 FLAME RATING, 600V, 90°C DRY & 75°C WET (TC-ER), 105°C (STOOW)  
 CABLE JACKET MATERIAL: PVC COLOR: BLACK  
 CONDUCTOR INSULATION: PVC  
 NUMBER OF CONDUCTORS: (4) 14AWG

- 2) ELECTRICAL DATA:  
 CURRENT (MAX): 15A  
 VOLTAGE (MAX): 600V AC/DC  
 INSULATION RESISTANCE (MIN): 5000M OHMS  
 DIELECTRIC TEST VOLTAGE: 2200V

- 3) MECHANICAL DATA:  
 TEMPERATURE RANGE: -40°C TO 90°C  
 PROTECTION: IP67 (MATED CONDITION)  
 MATING CYCLES: >500  
 VIBRATION RESISTANCE PER MIL-STD-202 METHOD 204  
 THERMAL SHOCK PER MIL-STD-202 METHOD 207  
 48 HOUR SALT SPRAY PER MIL-STD-202 METHOD 101

- 4) RoHS COMPLIANT  
 5) UL 2237 LISTED ASSEMBLY  
 UL FILE NUMBERS: E339703

Amphenol P/N	ROCKWELL P/N	MOLEX	TURCK
P29016-M*	280-PWRM24G-M*	104006A46M*	RSM44-*M
P29016-M1	280-PWRM24G-M010	104006A46M010	RSM44-010M
P29016-M2	280-PWRM24G-M020	104006A46M020	RSM44-020M
P29016-M3	280-PWRM24G-M030	104006A46M030	RSM44-030M
P29016-M5	280-PWRM24G-M050	104006A46M050	RSM44-050M
P29016-M10	280-PWRM24G-M100	104006A46M100	RSM44-100M

TOLERANCE	
0-2.99 M = +100.0/-25.0mm	0-9.99 FT = +4" / -1"
3-8.99 M = +150.0/-25.0mm	10.00-29.99 FT = +6" / -1"
9-14.99 M = +300.0/-25.0mm	30.00-49.99 FT = +12" / -1"
15-OVER M = +450.0/-25.0mm	50 FT-OVER = +18" / -1"

QUANTITY	PART NUMBER	DESCRIPTION	ITEM
<b>MATERIALS LIST</b>			
<small>UNLESS OTHERWISE SPECIFIED</small> 1) All dimensions are in metric (mm). 2) Tolerances are as follows: 1 PL DEC ±0.30   Fractions ±1/64 2 PL DEC ±0.15   Angles ±1° 3 PL DEC ±0.08		SIGNATURES    DATE DRAWN:    KMM    12-MAY-14 CHECKED:    MRF    12-MAY-14 ENGINEER:    KMM APPROVAL:    RFC    12-MAY-14	
MATERIAL SPECIFICATIONS: THIS DRAWING IS SUPPLIED FOR INFORMATION ONLY. DESIGN FEATURES, SPECIFICATIONS AND PERFORMANCE DATA SHOWN HEREON ARE THE PROPERTY OF THE AMPHENOL CORPORATION. NO RIGHTS OF REPRODUCTION ARE IMPLIED. ALL DIMENSIONS ARE SUBJECT TO NORMAL MANUFACTURING VARIATIONS.		 Sine Systems - www.amphenol-sine.com 44724 Morley Drive Clinton Township, MI 48036	
PROCESS SPECIFICATIONS: NEXT ASSY:		CUSTOMER: M22 POWERBOSS LITE, 4 PIN, MALE-STR, 14 AWG, TC-ER/STOOW, PVC JACKET	
SIZE    TYPE    DWG NO.    REVISION C-    P29016-Mxxx    A1		SCALE    FULL    C-P29016    SHEET 1 OF 1	

TTT#22 PB LITE, 4 PIN, M/F, 14AWG, TC-ER/STOOW, PVC dwg no: C-P29008-Mxxx rev: A1 sh: 1 of: 1

## X-ON Electronics

Largest Supplier of Electrical and Electronic Components

*Click to view similar products for [AC Power Leads](#) category:*

*Click to view products by [Amphenol](#) manufacturer:*

Other Similar products are found below :

[62500-1774](#) [1300000023](#) [312033-01](#) [YP-61+YC12](#) [P28818-M2](#) [YP21A+YC13](#) [FTP-629Y603](#) [1702002600](#) [1700001947](#) [J2014004L001-CC](#)  
[SHELF](#) [IL13-EU1-H05-3100-300-S](#) [P28976-M45](#) [BB-3271V86](#) [W-97277](#) [W-97278](#) [W-97279](#) [W-97204](#) [W-97895](#) [W-98437](#) [W-98452](#) [W-](#)  
[98453](#) [MWOC-PCA-3-3-2](#) [P29844-M5](#) [P29844-M10](#) [CP152](#) [CP154](#) [W-99245](#) [W-99246](#) [W-99249](#) [W-99251](#) [W-99252](#) [W-99253](#) [W-99254](#)  
[W-99257](#) [W-99260](#) [W-99262](#) [W-99265](#) [W-99267](#) [W-99269](#) [W-99270](#) [W-99272](#) [W-99280](#) [W-99282](#) [S144720002](#) [S002020062](#)  
[S007220315](#) [S007220344](#) [S007220303](#) [S007220307](#) [P28818-M6](#)