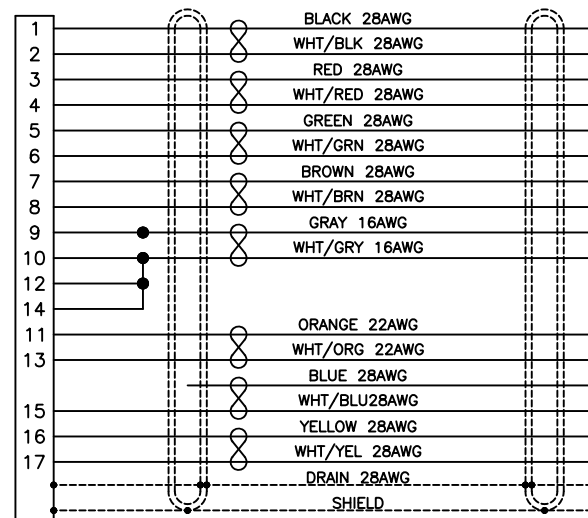
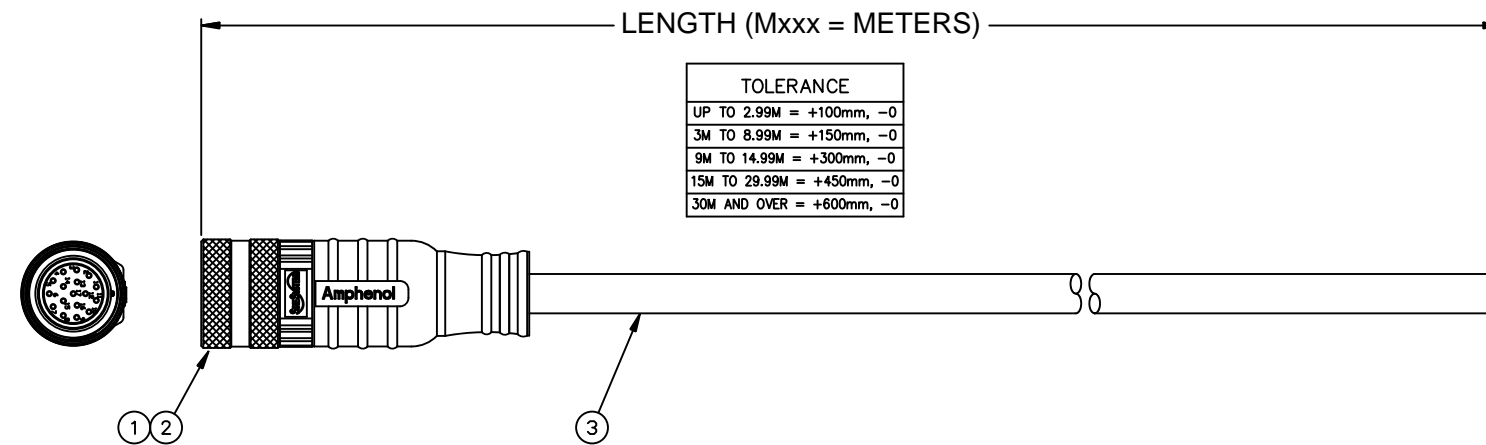


REVISIONS					
REV	ECO	DESCRIPTION	DATE	BY	APPR
B1	-	TECHNICAL DATA SHEET RELEASE	-	-	-



ROCKWELL P/N	AMPHENOL P/N
2090-XXNFMF-Sxx	P29166-Mxx
2090-XXNFMF-S03	P29166-M3
2090-XXNFMF-S09	P29166-M9
2090-XXNFMF-S15	P29166-M15

TECHNICAL DATA:

- MATERIALS:**
CONNECTOR: MA1CAP1700
OVERMOLD: TPE
CABLE: KA-56133
- ELECTRICAL:**
INSULATION RESISTANCE (MIN): 5000M OHMS
DIELECTRIC TEST VOLTAGE: 2200V
- MECHANICAL (CONNECTOR):**
TEMPERATURE RANGE: -40°C TO 105°C
PROTECTION: IP67 (MATED CONDITION)
MATING CYCLES: >500
VIBRATION RESISTANCE PER MIL-STD-202 METHOD 204
THERMAL SHOCK PER MIL-STD-202 METHOD 207
48 HOUR SALT SPRAY PER MIL-STD-202 METHOD 101
- RoHS COMPLIANT**



DO NOT SCALE DRAWING

AS REQ'D	KA-56133	CABLE, 16G-1PR, 22G-1PR, 26G-7PR, SHLD	3
17	SC000013	CONTACT	2
1	MA1CAP1700	CONNECTOR, 17 PIN	1
	PART NUMBER	DESCRIPTION	ITEM

QUANTITY		MATERIALS LIST	
UNLESS OTHERWISE SPECIFIED			
1) All dimensions are in metric(mm).		SIGNATURES	
2) Tolerances are as follows:		DATE	
1 PL DEC ±0.30	Fractions ±1/64	DRAWN: MRF	02OCT15
2 PL DEC ±0.15	Angles ±1°	CHECKED: MRF	02OCT15
3 PL DEC ±0.08		ENGINEER: MRF	
3) Note reference =		APPROVAL: MRF	02OCT15
MATERIAL SPECIFICATIONS:		CUSTOMER:	
PROCESS SPECIFICATIONS:		THIS DRAWING IS SUPPLIED FOR INFORMATION ONLY. DESIGN FEATURES, SPECIFICATIONS AND PERFORMANCE DATA SHOWN HEREON ARE THE PROPERTY OF THE AMPHENOL CORPORATION. NO RIGHTS OF REPRODUCTION ARE IMPLIED. ALL DIMENSIONS ARE SUBJECT TO NORMAL MANUFACTURING VARIATIONS.	
NEXT ASSY:		SCALE: NONE	

Sine Systems - www.amphenol-sine.com
44724 Morley Drive
Clinton Township, MI 48036

CABLE ASSEMBLY, FEEDBACK

SIZE	TYPE	DWG NO:	REVISION
	C-	P29166-Mxx	B1
SCALE: NONE		C-P29166	SHEET 1 OF 1

TITLE: CABLE ASSEMBLY
DWG NO: C-P29166-Mxx
REV: B1
SH: 1
OF: 1

X-ON Electronics

Largest Supplier of Electrical and Electronic Components

Click to view similar products for [Specialised Cables category](#):

Click to view products by [Amphenol manufacturer](#):

Other Similar products are found below :

[603PT6](#) [603SS6L](#) [604PT6](#) [604SS6](#) [706000D02F200](#) [910640](#) [1200740077](#) [1200740114](#) [AC172](#) [ACL-SSI-4](#) [R88ACAKA0015SRE](#)
[R88ACAWL005SDE](#) [R88ACRGD0R3C](#) [1300150047](#) [1300660036](#) [1302262116](#) [1300150149](#) [1300220020](#) [1300220104](#) [1300220119](#)
[1301240492](#) [1301810221](#) [1365323-1](#) [176P12](#) [1971465-2](#) [20240400003](#) [20240400013](#) [2085828-1](#) [20886510030](#) [2-22733-8](#) [22733-8](#) [CB-](#)
[5PSBC-RS](#) [CB-704EC-RS](#) [CB-BATACC-RS](#) [CB-JST3PSW-RS](#) [CB-M12COM-R10](#) [25AC84](#) [25AK84X](#) [25AU25](#) [25FN82](#) [3011-03](#) [AC118](#)
[ACL-HHS-1M\(CAT5E\)](#) [SSL009PC2DC012N](#) [FC2A-KC6C](#) [2085828-2](#) [20886510150](#) [CCS-FCB-5](#) [CCSF CBF2](#) [R88A-CRWB020N](#)