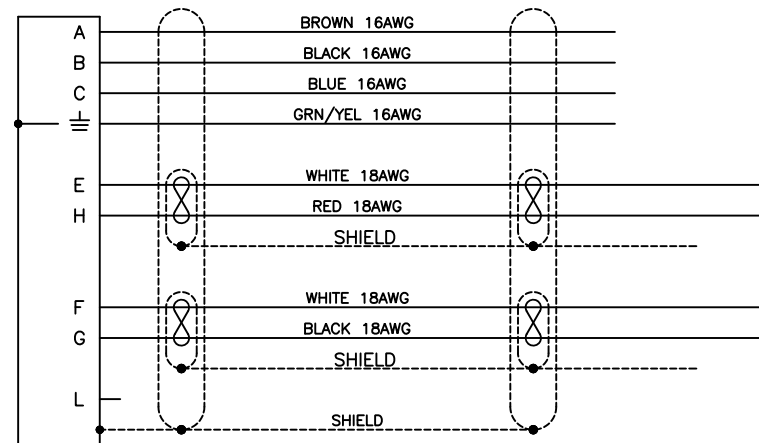
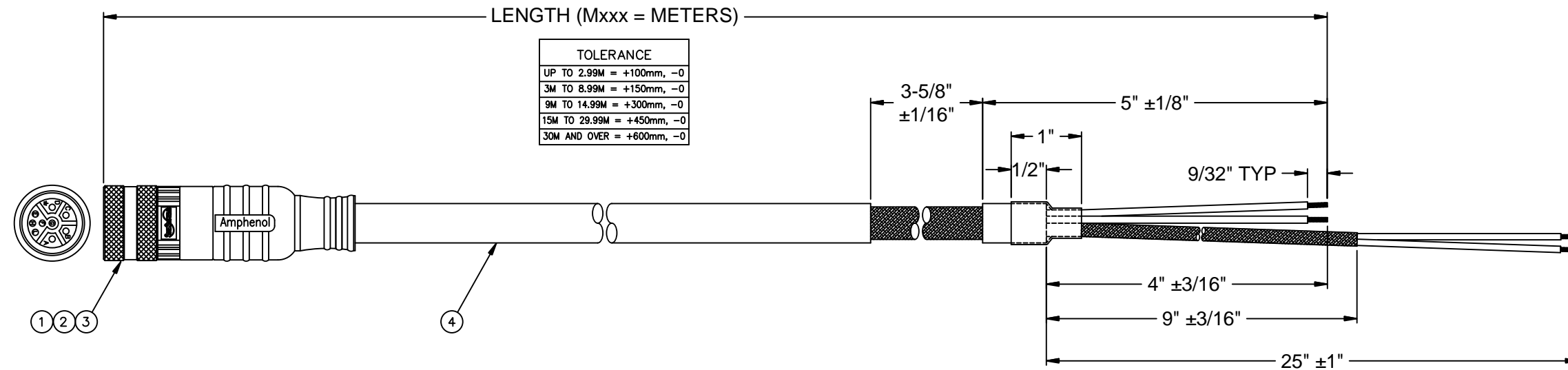


REVISIONS					
REV	ECO	DESCRIPTION	DATE	BY	APPR
B1	-	TECHNICAL DATA SHEET RELEASE	-	-	-



ROCKWELL P/N	AMPHENOL P/N
2090-XXNPMF-16Sxx	P29167-Mxx
2090-XXNPMF-16S03	P29167-M3
2090-XXNPMF-16S09	P29167-M9
2090-XXNPMF-16S15	P29167-M15

TECHNICAL DATA:

1) MATERIALS:

CONNECTOR: MB1CKN0900
OVERMOLD: TPE
CABLE: KA-56338

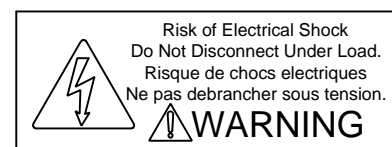
2) ELECTRICAL:

INSULATION RESISTANCE (MIN): 5000M OHMS
DIELECTRIC TEST VOLTAGE: 2200V

3) MECHANICAL (CONNECTOR):

TEMPERATURE RANGE: -40°C TO 105°C
PROTECTION: IP67 (MATED CONDITION)
MATING CYCLES: >500
VIBRATION RESISTANCE PER MIL-STD-202 METHOD 204
THERMAL SHOCK PER MIL-STD-202 METHOD 207
48 HOUR SALT SPRAY PER MIL-STD-202 METHOD 101

4) RoHS COMPLIANT



DO NOT SCALE DRAWING

AS REQ'D	PART NUMBER	DESCRIPTION	ITEM
4	KA-56338	CABLE, 16G-4C, 18GA-2PR, SHLD	4
4	SC000014	SOCKET, Ø2.0mm	3
5	SC000013	SOCKET, Ø1.0mm	2
1	MB1CKN0900	PLUG, M23, 9 POSITION	1

QUANTITY	MATERIALS LIST		
UNLESS OTHERWISE SPECIFIED			
1) All dimensions are in metric(mm).			
2) Tolerances are as follows:			
1 PL DEC ±0.30		Fractions ±1/64	
2 PL DEC ±0.15		Angles ±1°	
3 PL DEC ±0.08		X	
3) Note reference = X			
SIGNATURES		DATE	
DRAWN: MRF		07OCT15	
CHECKED: MRF		07OCT15	
ENGINEER: MRF			
APPROVAL: MRF		07OCT15	
MATERIAL SPECIFICATIONS:		CUSTOMER:	
PROCESS SPECIFICATIONS:		THIS DRAWING IS SUPPLIED FOR INFORMATION ONLY. DESIGN FEATURES, SPECIFICATIONS AND PERFORMANCE DATA SHOWN HEREON ARE THE PROPERTY OF THE AMPHENOL CORPORATION. NO RIGHTS OF REPRODUCTION ARE IMPLIED. ALL DIMENSIONS ARE SUBJECT TO NORMAL MANUFACTURING VARIATIONS.	
NEXT ASSY:		SCALE: NONE	

Amphenol

Sine Systems - www.amphenol-sine.com
44724 Morley Drive
Clinton Township, MI 48036

CABLE ASSEMBLY, POWER, 16AWG, WITH BRAKE

SIZE	TYPE	DWG NO:	REVISION
	C-	P29167-Mxx	B1
SCALE: NONE		C-P29167	SHEET 1 OF 1

TITLE: CABLE ASSEMBLY
DWG NO: C-P29167-Mxx
REV: B1
SH: 1
OF: 1

X-ON Electronics

Largest Supplier of Electrical and Electronic Components

Click to view similar products for [Specialised Cables category](#):

Click to view products by [Amphenol manufacturer](#):

Other Similar products are found below :

[603PT6](#) [603SS6L](#) [604PT6](#) [604SS6](#) [706000D02F200](#) [910640](#) [1200740077](#) [1200740114](#) [AC172](#) [ACL-SSI-4](#) [R88ACAKA0015SRE](#)
[R88ACAWL005SDE](#) [R88ACRGD0R3C](#) [1300150047](#) [1300660036](#) [1302262116](#) [1300150149](#) [1300220020](#) [1300220104](#) [1300220119](#)
[1301240492](#) [1301810221](#) [1365323-1](#) [176P12](#) [1971465-2](#) [20240400003](#) [20240400013](#) [2085828-1](#) [20886510030](#) [2-22733-8](#) [22733-8](#) [CB-](#)
[5PSBC-RS](#) [CB-704EC-RS](#) [CB-BATACC-RS](#) [CB-JST3PSW-RS](#) [CB-M12COM-R10](#) [25AC84](#) [25AK84X](#) [25AU25](#) [25FN82](#) [3011-03](#) [AC118](#)
[ACL-HHS-1M\(CAT5E\)](#) [SSL009PC2DC012N](#) [FC2A-KC6C](#) [2085828-2](#) [20886510150](#) [CCS-FCB-5](#) [CCSF CBF2](#) [R88A-CRWB020N](#)