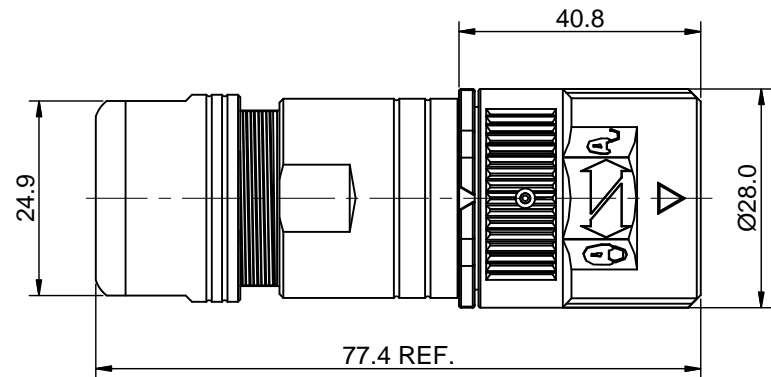
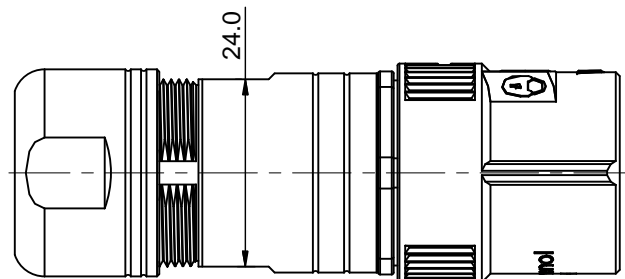
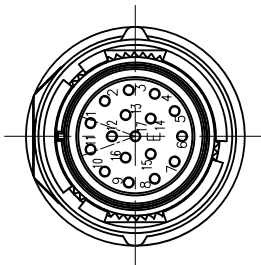


| REVISIONS |     |                        |             |       |      |
|-----------|-----|------------------------|-------------|-------|------|
| REV       | ECO | DESCRIPTION            | DATE        | BY    | APPR |
| A1        | -   | RELEASE NEW DWG FORMAT | 07/22/14    | DRACK |      |
| A2        | -   | UPDATE THE DURABILITY  | APR.16,2016 | DRACK |      |
| A3        | -   | UPDATE THE SHAPE       | APR.16,2016 | DRACK |      |



E type, Normal Key

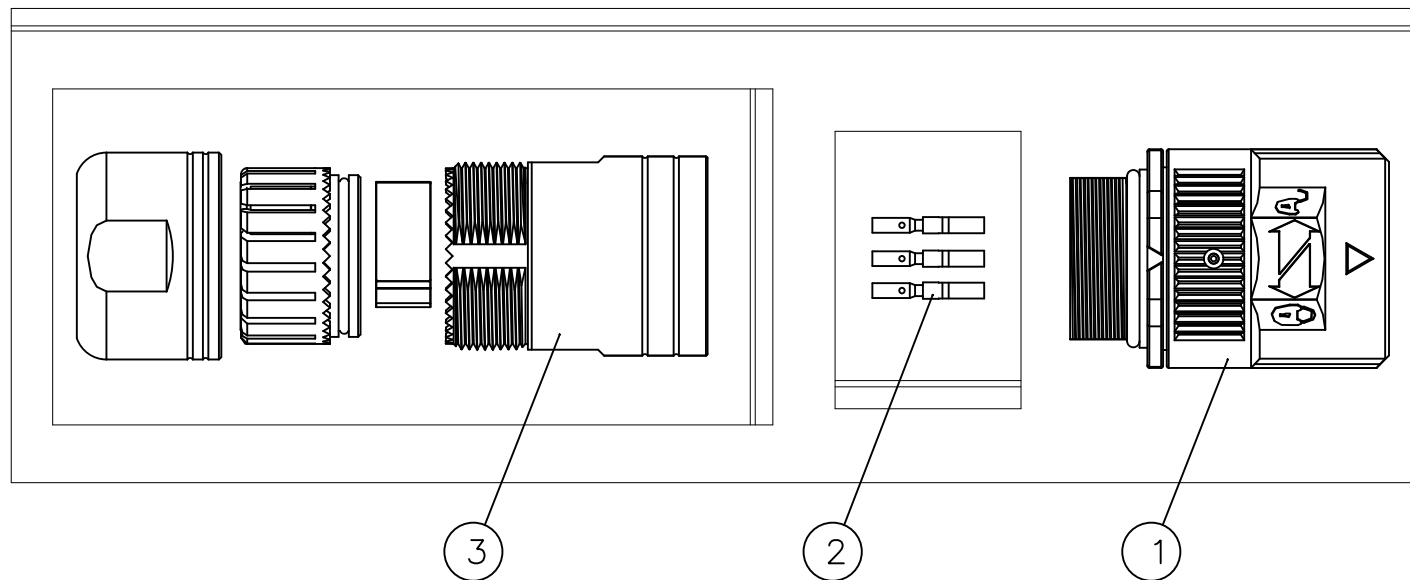


ASSEMBLED VIEW

| Part Number | Cord Grip | Cable OD Range |
|-------------|-----------|----------------|
| P30737-S1   | MA6CG-S1  | 4.5~7.5 mm     |
| P30737-S2   | MA6CG-S2  | 7.5~11.0 mm    |
| P30737-S3   | MA6CG-S3  | 11.0~15.0 mm   |

NOTES: UNLESS OTHERWISE SPECIFIED

- MATERIAL:  
 INSULATION INSERT: PA66,UL94 V0  
 SEAL: VITON OR EPDM  
 HOUSING BODY: ZINC DIE CAST, NICKEL PLATED  
 COUPLING NUT: COPPER ALLOY, NICKEL PLATED  
 EMI SHIELDING RING: STAINLESS STEEL  
 CONTACT: COPPER ALLOY, GOLD PLATED
- SPECIFICATIONS:
  - CURRENT RATING: 9 AMPS
  - VOLTAGE RATING: 125 V AC/DC
  - CONTACT RESISTANCE: <5 mOHMS
  - OPERATING TEMPERATURE: -20°C TO +130°C
  - DIELECTRIC WITHSTANDING VOLTAGE: LESS THAN 2 MILLIAMPS CURRENT LEAKAGE @ 2500 VOLTS AC.
  - DEGREE OF PROTECTION: IP67 ( MATED CONDITION )
  - DEGREE OF POLLUTION: 3 PER UL840
  - OVERVOLTAGE CATEGORY: III PER UL840
  - MATING CYCLE DURABILITY: >500 CYCLES
- CORD GRIP RANGE: SEE TABLE.
- CONTACT BARREL RANGE: 18AWG TO 22AWG
- RECOMMENDED CRIMP TOOLS:  
 HAND CRIMPER: AFM8 AND SK2/2  
 PNEUMATIC CRIMPER: WA22 AND SK2/2
- EXTRACTION TOOL: 50-54931-1
- ASSEMBLY INSTRUCTIONS: S3-15225
- RoHS COMPLIANT
- ALL DIMENSIONS ARE FOR REFERENCE USE ONLY.



| QUANTITY | PART NUMBER | DESCRIPTION             | ITEM |
|----------|-------------|-------------------------|------|
| 1        | MA6CG-Sx    | CORD GRIP               | 3    |
| 17       | SC000044    | CONTACT, SOCKET, Ø1.0MM | 2    |
| 1        | MA2CAE1700  | CONNECTOR               | 1    |

MATERIALS LIST

|   |  |  |              |   |
|---|--|--|--------------|---|
| UNLESS OTHERWISE SPECIFIED<br>1) All dimensions are in metric(mm).<br>2) Tolerances are as follows:<br>1 PL DEC ±0.30   Fractions ±1/64<br>2 PL DEC ±0.15   Angles ±1°<br>3 PL DEC ±0.08<br>3) Note reference = $\triangle$ X |  | SIGNATURES   | DATE         | <h1>Amphenol</h1> <p>Sine Systems - www.amphenol-sine.com<br/>         44724 Morley Drive<br/>         Clinton Township, MI 48036</p> |
| MATERIAL SPECIFICATIONS:  |  | DRAWN: Drack   | APR.16,2016  |   |
| PROCESS SPECIFICATIONS:   |  | CHECKED:   |              |   |
| NEXT ASSY:  |  | ENGINEER:  |              |   |
|   |  | APPROVAL:  |              | KIT:M23A,PLUG,STRAIGHT,17POS,E TYPE<br>SOCKET CONTACT,CHECKMATE   |
|   |  | CUSTOMER:  |              |   |
|   |  | THIS DRAWING IS SUPPLIED FOR INFORMATION ONLY. DESIGN FEATURES, SPECIFICATIONS AND PERFORMANCE DATA SHOWN HEREON ARE THE PROPERTY OF THE AMPHENOL CORPORATION. NO RIGHTS OF REPRODUCTION ARE IMPLIED. ALL DIMENSIONS ARE SUBJECT TO NORMAL MANUFACTURING VARIATIONS. |              | SIZE: B C-<br>DWG NO: P30737-Sx<br>REVISION: A3   |
|   |  | SCALE: NONE  | SHEET 1 OF 1 |   |

TITLE: KIT:M23A,PLUG,STRAIGHT,17POS,E TYPE SOCKET CONTACT,CHECKMATE

DWG NO:

P30737-Sx

REV: A3

SH: 1

OF: 1

## X-ON Electronics

Largest Supplier of Electrical and Electronic Components

*Click to view similar products for [Circular Metric Connectors](#) category:*

*Click to view products by [Amphenol](#) manufacturer:*

Other Similar products are found below :

[1424048](#) [1021212](#) [600X518037X](#) [6STD09SAM99B70X](#) [6STD15PCR99B70A](#) [1200910002](#) [1203580030](#) [1200700064](#) [1200700263](#)  
[1200700416](#) [1200730102](#) [1200770002](#) [1-2823588-2](#) [130203-0054](#) [1300140026](#) [1300150099](#) [1-3637-600-5205](#) [1545399](#) [1594331](#) [1600413](#)  
[1612606](#) [1612618](#) [1614660](#) [1A4000-348](#) [21036836414](#) [2823064-1](#) [1610759](#) [1R3006A20M005](#) [41-01016](#) [41-40011](#) [41-40017](#) [42-00006](#) [42-](#)  
[01015](#) [4-22279-4](#) [4-22281-1](#) [4-22284-9](#) [43-00002](#) [43-00113](#) [43-00130](#) [43-01028](#) [43-01034](#) [43-01090](#) [43-01203](#) [43-01209](#) [43-01335](#)  
[CA06EA2219S](#) [CA3101ER2214P](#) [CA3106R14S-7S-F80-A95](#) [41-40005](#) [41-40013](#)