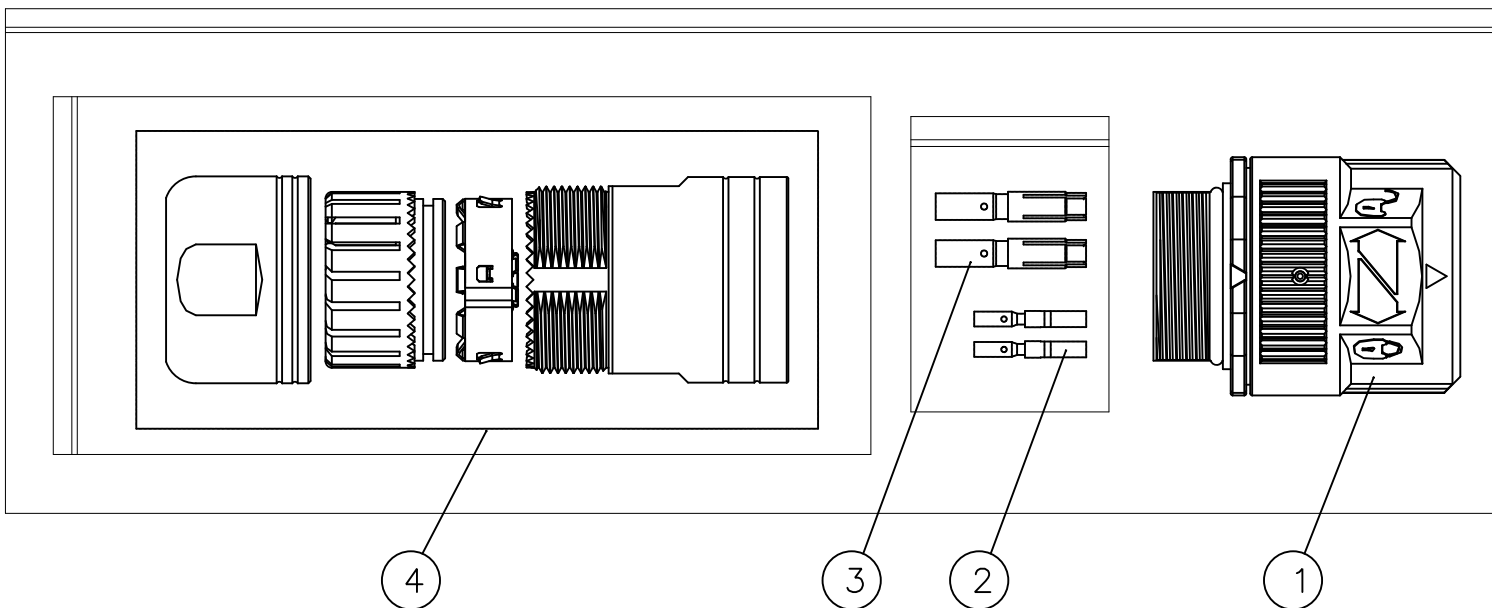


ASSEMBLED VIEW

Part Number	Cord Grip	Cable OD Range
P30743-S1	MB6CG-S1	7.5~11.0 mm
P30743-S2	MB6CG-S2	11.0~14.5 mm
P30743-S3	MB6CG-S3	14.5~17.0 mm



REVISIONS					
REV	ECO	DESCRIPTION	DATE	BY	APPR
A1	-	RELEASE NEW DWG FORMAT	07/22/14	DRACK	
A2	-	UPDATE THE DURABILITY	May.05,2015	DRACK	
A3	-	UPDATE THE SHAPE	APR.16,2016	DRACK	

NOTES: UNLESS OTHERWISE SPECIFIED

- MATERIAL:
INSULATION INSERT: PA66,UL94 V0
SEAL: VITON OR EPDM
HOUSING BODY: ZINC DIE CAST, NICKEL PLATED
COUPLING NUT: COPPER ALLOY, NICKEL PLATED
EMI SHIELDING RING: STAINLESS STEEL
CONTACT: COPPER ALLOY, GOLD PLATED
- SPECIFICATIONS:
 - CURRENT RATING: SIGNAL: 10 AMPS
POWER: 30AMPS
 - VOLTAGE RATING: SIGNAL: 250V AC/DC
POWER: 630V AC/DC
 - CONTACT RESISTANCE: SIGNAL: <5 mOHMS
POWER: <3 mOHMS
 - OPERATING TEMPERATURE: -20°C TO +130°C
 - DIELECTRIC WITHSTANDING VOLTAGE: LESS THAN 2 MILLIAMPS CURRENT LEAKAGE @ SIGNAL: 2500VOLTS AC.
POWER: 6000 VOLTS AC.
 - DEGREE OF PROTECTION: IP67 (MATED CONDITION)
 - DEGREE OF POLLUTION: 3 PER UL840
 - OVERVOLTAGE CATEGORY: III PER UL840
 - MATING CYCLE DURABILITY: >500 CYCLES
- CORD GRIP RANGE: 11mm TO 14.5mm.
- CONTACT BARREL RANGE: SIGNAL: 18AWG TO 22AWG
POWER: 14AWG TO 18AWG
- RECOMMENDED CRIMP TOOLS:
HAND CRIMPER: SIGNAL: AFM8 AND SK2/2
POWER: AF8 AND UH2-5
PNEUMATIC CRIMPER: SIGNAL: WA22 AND SK2/2
POWER: WA27F AND UH2-5
- EXTRACTION TOOL: SIGNAL: 50-54931-1
POWER: 50-54931-2
- ASSEMBLY INSTRUCTIONS: S3-15225
- RoHS COMPLIANT
- ALL DIMENSIONS ARE FOR REFERENCE USE ONLY.

QUANTITY	PART NUMBER	DESCRIPTION	ITEM
1	MB6CG-Sx	CORD GRIP	4
4	SC000045	CONTACT, SOCKET, Ø2.0MM	3
5	SC000044	CONTACT, SOCKET, Ø1.0MM	2
1	MB2CKN0900	CONNECTOR	1

MATERIALS LIST

UNLESS OTHERWISE SPECIFIED 1) All dimensions are in metric(mm). 2) Tolerances are as follows: 1 PL DEC ±0.30 Fractions ±1/64 2 PL DEC ±0.15 Angles ±1° 3 PL DEC ±0.08		SIGNATURES DRAWN: Drack CHECKED: ENGINEER: APPROVAL:		DATE APR.16,2016
MATERIAL SPECIFICATIONS:		CUSTOMER:		<h1>Amphenol</h1> <p>Sine Systems - www.amphenol-sine.com 44724 Morley Drive Clinton Township, MI 48036</p>
PROCESS SPECIFICATIONS:		THIS DRAWING IS SUPPLIED FOR INFORMATION ONLY. DESIGN FEATURES, SPECIFICATIONS AND PERFORMANCE DATA SHOWN HEREON ARE THE PROPERTY OF THE AMPHENOL CORPORATION. NO RIGHTS OF REPRODUCTION ARE IMPLIED. ALL DIMENSIONS ARE SUBJECT TO NORMAL MANUFACTURING VARIATIONS.		
NEXT ASSY:		SIZE: B	TYPE: C-	DWG NO: P30743-Sx
		SCALE: NONE	REVISION: A3	
		SHEET 1 OF 1		

TITLE: KIT,M23B,PLUG,STRAIGHT,9POS(4+5),CHECKMATE

DWG NO:

P30743-Sx

REV: A3

SH: 1

OF: 1

OF: 1

X-ON Electronics

Largest Supplier of Electrical and Electronic Components

Click to view similar products for [Circular Metric Connectors](#) category:

Click to view products by [Amphenol](#) manufacturer:

Other Similar products are found below :

[600X518037X](#) [6STD15PCR99B70A](#) [8R4000A16M020](#) [8R5000A16M005](#) [1200910002](#) [1203580030](#) [1200910008](#) [1200910011](#) [1300140094](#)
[130203-0054](#) [1300140026](#) [1300150099](#) [1-3637-600-5205](#) [1612618](#) [21036836414](#) [8R4006A16M010](#) [1R3006A20M005](#) [41-40011](#) [42-00006](#)
[42-01015](#) [4-22279-4](#) [4-22281-1](#) [4-22284-9](#) [43-00113](#) [43-01088](#) [43-01203](#) [41-40013](#) [42-00008](#) [43-00343](#) [43-01026](#) [43-01162](#) [43-01173](#) [43-](#)
[10000](#) [XS3P-M421-2](#) [600X518050X](#) [8R5006A16M020](#) [8R4000A16M010](#) [6-22279-3](#) [1605332](#) [N03FA03144](#) [1300140077](#) [43-16213](#) [43-](#)
[01338](#) [XS2RD4265](#) [XS2R-D426-1](#) [XS8A-0441](#) [859RD04-103R004](#) [860RD04-113R004](#) [860RD04-213R004](#) [1-213245-2](#)