

LDG P-Clamps from Amphenol Pcd

Other Products



LDG P-Clamp

For high performance MILTECH transmission lines.



Luminus Series

- Environmentally sealed
- Secure, "snap-locking" mechanism
- Multiple sizes and configurations
- Rugged and lightweight
- Easy to use and maintain
- Uses standard MIL-C-39029 and Stamped & Formed contacts

The **LDG P-Clamps** are the result of more than 30 years of continuous Amphenol development of **ovemold technology** -- an engineering / manufacturing process that is a major strength of the company. Through the perfection of this technology, engineering is able to use a softer rubber for the clamp cushioning, thereby **reducing wear and tear on mission critical cable harnesses** – all without compromising the **strength and performance** of the clamp itself.

Specifically designed for high performance aerospace cables, such as the **MT/MTL product lines**, the LDG P-Clamps are easy to use, simple to maintain, and are available in **17 different sizes**.



High Performance P-Clamps



High Performance Standoffs

Contact us for more information



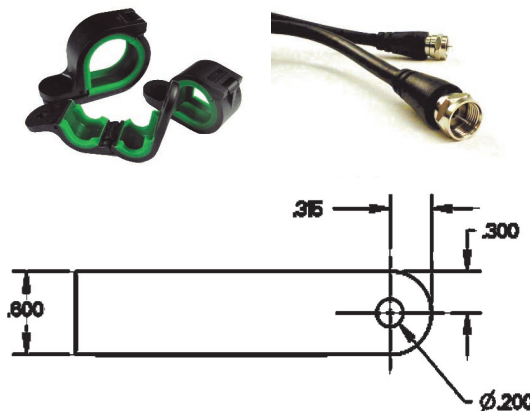
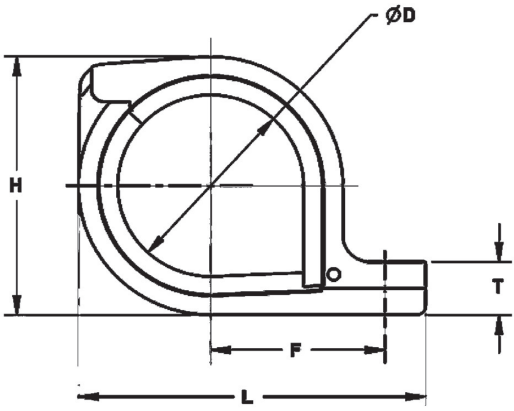
For complete technical information, visit www.victrex.com

Key Benefits



Smart Engineering	<p><u>High Performance</u></p> <ul style="list-style-type: none"> • Specifically designed for MILTECH transmission lines • Compatible with cables between 0.06"-1.65" in diameter • Helps to ensure no interruption of data or signal transfer • Dedicated to pressurized and unpressurized areas • Smaller envelope than existing metal P-Clamps
	<p><u>Mechanical Design</u></p> <ul style="list-style-type: none"> • Lock open & closed feature increases ease of installation & maintenance • Available in 17 different sizes • Easily recognizable labels makes inspection easy • Uses standard 10-32 screws
Overmold Technology	<ul style="list-style-type: none"> • Over 30 years experience in overmold technology • Cushion will not come off or slide off • Each clamp able to meet wide range of diameter sizes
Victrex PEEK™ Polymer	<ul style="list-style-type: none"> • High temperature resistance; Chemical resistance • Completely Non-Corrosive & Non-Conductive • Improved Strength & Stability • Withstands constant vibrations and shock loads • Lighter than Traditional P-Clamps by up to 40%

LDG P-Clamps from Amphenol Pcd



Part No.	Size No.	Nominal: Inner cushion dia. (ØD)		MIN cable size		MAX cable size		F		Length (L)		H		T		Weight	
		in	cm	in	cm	in	cm	in	cm	in	cm	in	cm	in	cm	ounces	grams
PCL400100	100	0.030	0.076	0.060	0.152	0.190	0.483	0.59	1.51	1.18	2.99	0.64	1.62	0.18	0.46	0.15	4.30
PCL400101	101	0.125	0.318	0.155	0.394	0.248	0.630	0.59	1.51	1.18	2.99	0.64	1.62	0.18	0.46	0.14	4.08
PCL400102	102	0.219	0.556	0.249	0.632	0.342	0.869	0.64	1.63	1.27	3.22	0.71	1.80	0.18	0.46	0.16	4.54
PCL400103	103	0.313	0.795	0.343	0.871	0.436	1.107	0.71	1.81	1.41	3.59	0.81	2.06	0.24	0.61	0.22	6.35
PCL400104	104	0.407	1.034	0.437	1.110	0.530	1.346	0.76	1.93	1.51	3.83	0.88	2.25	0.24	0.61	0.24	6.80
PCL400105	105	0.501	1.273	0.531	1.349	0.623	1.582	0.81	2.05	1.60	4.07	0.96	2.44	0.24	0.61	0.27	7.71
PCL400106	106	0.594	1.509	0.624	1.585	0.718	1.824	0.85	2.17	1.70	4.32	1.05	2.68	0.24	0.61	0.29	8.16
PCL400107	107	0.689	1.750	0.719	1.826	0.811	2.060	0.93	2.35	1.84	4.67	1.20	3.05	0.30	0.76	0.38	10.89
PCL400108	108	0.782	1.986	0.812	2.062	0.905	2.299	0.97	2.47	1.93	4.91	1.32	3.35	0.30	0.76	0.43	12.25
PCL400109	109	0.876	2.225	0.906	2.301	0.998	2.535	1.02	2.59	2.03	5.15	1.39	3.53	0.30	0.76	0.45	12.70
PCL400110	110	0.969	2.461	0.999	2.537	1.092	2.774	1.07	2.71	2.12	5.38	1.48	3.76	0.30	0.76	0.48	13.61
PCL400111	111	1.063	2.700	1.093	2.776	1.186	3.012	1.14	2.89	2.26	5.75	1.62	4.12	0.36	0.91	0.59	16.78
PCL400112	112	1.157	2.939	1.187	3.015	1.280	3.251	1.18	3.01	2.36	5.99	1.76	4.47	0.36	0.91	0.64	18.14
PCL400113	113	1.251	3.178	1.281	3.254	1.373	3.487	1.23	3.13	2.45	6.23	1.82	4.63	0.36	0.91	0.67	19.05
PCL400114	114	1.344	3.414	1.374	3.490	1.467	3.726	1.29	3.28	2.58	6.55	1.93	4.91	0.40	1.00	0.75	21.32
PCL400115	115	1.438	3.653	1.468	3.729	1.561	3.965	1.35	3.43	2.69	6.83	2.05	5.20	0.42	1.07	0.85	24.04
PCL400116	116	1.532	3.891	1.562	3.967	1.655	4.204	1.39	3.53	2.78	7.06	2.14	5.43	0.42	1.07	0.92	26.04

Amphenol Times



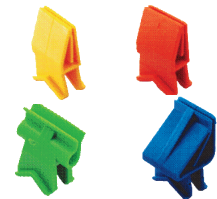
- Qualified MILTECH family of products (MIL-C-17, MIL-T-8190, MIL-C-87104, etc)
- Hermetically sealed RF and microwave transmission lines
- Qualified for commercial, military, and other demanding applications
- Superior phase coaxial cables
- Lightweight, long-lasting, and extremely durable
- Multiple choices per customer requirement
- For more information: www.timesmicrowave.com

Other Products

MATERIALS

Clamp Base (Plastic)	Polyetheretherketone (PEEK), per MIL-P-46183; Black
Cushion	Silicone rubber, 20 durometer Shore A; Light Green
PERFORMANCE	
Temp. Limits	Continuous: - 65°F to 350°F
	Excursions: up to 500°F
Flammability	Clamp Base: UL94, V0; FAR25.853 Cushion: meets UL 94, HB

Other Products from Amphenol



QuickClips



Lightening Bushings

Amphenol Pcd

72 Cherry Hill Drive
Beverly, MA 01915 USA
email: info@amphenolpcd.com
phone: 978-624-3400

Amphenol Pcd

CONNECTING PEOPLE + TECHNOLOGY

X-ON Electronics

Largest Supplier of Electrical and Electronic Components

Click to view similar products for [Junction System Tools & Accessories](#) category:

Click to view products by [Amphenol](#) manufacturer:

Other Similar products are found below :

[YCTJ-3D-12V0030000](#) [YCTJ-3A-08C0560000](#) [RBD20-1](#) [00111922302](#) [00111922402](#) [00172023200](#) [PCL03ANZ04](#) [PCL03AHZ08](#)
[PCL03ANZ05](#) [PCL03AHZ16](#) [PCL03AHZ12](#) [YCTJ-2A-01V0030000](#) [00326120059](#) [00611420007](#) [00611405118](#) [00611421005](#) [00611420004](#)
[AMY7200T1L72](#) [00326116859](#) [00610100200](#) [00326110959](#) [00326117359](#) [00111920102](#) [M81714/67-12](#) [00111920202](#) [591637-2](#)
[00111920402](#) [00118400034](#) [M6106/31-001](#) [TJT703002](#) [TJT703017](#) [M6106/32-001](#) [RBMT2](#) [591637-5](#) [592104-1](#) [592104-2](#) [YCTJ-3A-](#)
[03C0160000](#) [YDCR-1A-02V0030000](#) [YDCR-1A-06V0030000](#) [YDCR-1A-09V0030000](#) [00111920302](#) [RBMT4](#) [591637-1](#) [591638-1](#)