

LDG P-Clamps from Amphenol Pcd

Other Products



LDG P-Clamp

For high performance MILTECH transmission lines.



Luminus Series

- Environmentally sealed
- Secure, "snap-locking" mechanism
- Multiple sizes and configurations
- Rugged and lightweight
- Easy to use and maintain
- Uses standard MIL-C-39029 and Stamped & Formed contacts

The **LDG P-Clamps** are the result of more than 30 years of continuous Amphenol development of **ovemold technology** -- an engineering / manufacturing process that is a major strength of the company. Through the perfection of this technology, engineering is able to use a softer rubber for the clamp cushioning, thereby **reducing wear and tear on mission critical cable harnesses** – all without compromising the **strength and performance** of the clamp itself.

Specifically designed for high performance aerospace cables, such as the **MT/MTL product lines**, the LDG P-Clamps are easy to use, simple to maintain, and are available in **17 different sizes**.



High Performance P-Clamps



High Performance Standoffs

Contact us for more information



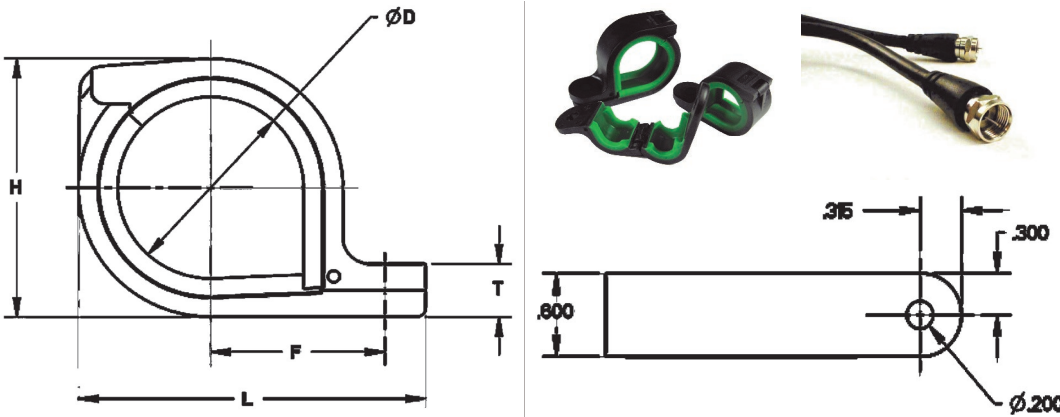
For complete technical information, visit www.victrex.com

Key Benefits



| | |
|-----------------------|---|
| Smart Engineering | <p><u>High Performance</u></p> <ul style="list-style-type: none"> • Specifically designed for MILTECH transmission lines • Compatible with cables between 0.06"-1.65" in diameter • Helps to ensure no interruption of data or signal transfer • Dedicated to pressurized and unpressurized areas • Smaller envelope than existing metal P-Clamps |
| | <p><u>Mechanical Design</u></p> <ul style="list-style-type: none"> • Lock open & closed feature increases ease of installation & maintenance • Available in 17 different sizes • Easily recognizable labels makes inspection easy • Uses standard 10-32 screws |
| Overmold Technology | <ul style="list-style-type: none"> • Over 30 years experience in overmold technology • Cushion will not come off or slide off • Each clamp able to meet wide range of diameter sizes |
| Victrex PEEK™ Polymer | <ul style="list-style-type: none"> • High temperature resistance; Chemical resistance • Completely Non-Corrosive & Non-Conductive • Improved Strength & Stability • Withstands constant vibrations and shock loads • Lighter than Traditional P-Clamps by up to 40% |

LDG P-Clamps from Amphenol Pcd



| Part No. | Size No. | Nominal: Inner cushion dia. (ØD) | | MIN cable size | | MAX cable size | | F | | Length (L) | | H | | T | | Weight | |
|-----------|----------|----------------------------------|-------|----------------|-------|----------------|-------|------|------|------------|------|------|------|------|------|--------|-------|
| | | in | cm | in | cm | in | cm | in | cm | in | cm | in | cm | in | cm | ounces | grams |
| PCL400100 | 100 | 0.030 | 0.076 | 0.060 | 0.152 | 0.190 | 0.483 | 0.59 | 1.51 | 1.18 | 2.99 | 0.64 | 1.62 | 0.18 | 0.46 | 0.15 | 4.30 |
| PCL400101 | 101 | 0.125 | 0.318 | 0.155 | 0.394 | 0.248 | 0.630 | 0.59 | 1.51 | 1.18 | 2.99 | 0.64 | 1.62 | 0.18 | 0.46 | 0.14 | 4.08 |
| PCL400102 | 102 | 0.219 | 0.556 | 0.249 | 0.632 | 0.342 | 0.869 | 0.64 | 1.63 | 1.27 | 3.22 | 0.71 | 1.80 | 0.18 | 0.46 | 0.16 | 4.54 |
| PCL400103 | 103 | 0.313 | 0.795 | 0.343 | 0.871 | 0.436 | 1.107 | 0.71 | 1.81 | 1.41 | 3.59 | 0.81 | 2.06 | 0.24 | 0.61 | 0.22 | 6.35 |
| PCL400104 | 104 | 0.407 | 1.034 | 0.437 | 1.110 | 0.530 | 1.346 | 0.76 | 1.93 | 1.51 | 3.83 | 0.88 | 2.25 | 0.24 | 0.61 | 0.24 | 6.80 |
| PCL400105 | 105 | 0.501 | 1.273 | 0.531 | 1.349 | 0.623 | 1.582 | 0.81 | 2.05 | 1.60 | 4.07 | 0.96 | 2.44 | 0.24 | 0.61 | 0.27 | 7.71 |
| PCL400106 | 106 | 0.594 | 1.509 | 0.624 | 1.585 | 0.718 | 1.824 | 0.85 | 2.17 | 1.70 | 4.32 | 1.05 | 2.68 | 0.24 | 0.61 | 0.29 | 8.16 |
| PCL400107 | 107 | 0.689 | 1.750 | 0.719 | 1.826 | 0.811 | 2.060 | 0.93 | 2.35 | 1.84 | 4.67 | 1.20 | 3.05 | 0.30 | 0.76 | 0.38 | 10.89 |
| PCL400108 | 108 | 0.782 | 1.986 | 0.812 | 2.062 | 0.905 | 2.299 | 0.97 | 2.47 | 1.93 | 4.91 | 1.32 | 3.35 | 0.30 | 0.76 | 0.43 | 12.25 |
| PCL400109 | 109 | 0.876 | 2.225 | 0.906 | 2.301 | 0.998 | 2.535 | 1.02 | 2.59 | 2.03 | 5.15 | 1.39 | 3.53 | 0.30 | 0.76 | 0.45 | 12.70 |
| PCL400110 | 110 | 0.969 | 2.461 | 0.999 | 2.537 | 1.092 | 2.774 | 1.07 | 2.71 | 2.12 | 5.38 | 1.48 | 3.76 | 0.30 | 0.76 | 0.48 | 13.61 |
| PCL400111 | 111 | 1.063 | 2.700 | 1.093 | 2.776 | 1.186 | 3.012 | 1.14 | 2.89 | 2.26 | 5.75 | 1.62 | 4.12 | 0.36 | 0.91 | 0.59 | 16.78 |
| PCL400112 | 112 | 1.157 | 2.939 | 1.187 | 3.015 | 1.280 | 3.251 | 1.18 | 3.01 | 2.36 | 5.99 | 1.76 | 4.47 | 0.36 | 0.91 | 0.64 | 18.14 |
| PCL400113 | 113 | 1.251 | 3.178 | 1.281 | 3.254 | 1.373 | 3.487 | 1.23 | 3.13 | 2.45 | 6.23 | 1.82 | 4.63 | 0.36 | 0.91 | 0.67 | 19.05 |
| PCL400114 | 114 | 1.344 | 3.414 | 1.374 | 3.490 | 1.467 | 3.726 | 1.29 | 3.28 | 2.58 | 6.55 | 1.93 | 4.91 | 0.40 | 1.00 | 0.75 | 21.32 |
| PCL400115 | 115 | 1.438 | 3.653 | 1.468 | 3.729 | 1.561 | 3.965 | 1.35 | 3.43 | 2.69 | 6.83 | 2.05 | 5.20 | 0.42 | 1.07 | 0.85 | 24.04 |
| PCL400116 | 116 | 1.532 | 3.891 | 1.562 | 3.967 | 1.655 | 4.204 | 1.39 | 3.53 | 2.78 | 7.06 | 2.14 | 5.43 | 0.42 | 1.07 | 0.92 | 26.04 |

Amphenol Times



- Qualified MILTECH family of products (MIL-C-17, MIL-T-8190, MIL-C-87104, etc)
- Hermetically sealed RF and microwave transmission lines
- Qualified for commercial, military, and other demanding applications
- Superior phase coaxial cables
- Lightweight, long-lasting, and extremely durable
- Multiple choices per customer requirement
- For more information: www.timesmicrowave.com

Other Products

MATERIALS

| | |
|----------------------|---|
| Clamp Base (Plastic) | Polyetheretherketone (PEEK), per MIL-P-46183; Black |
| Cushion | Silicone rubber, 20 durometer Shore A; Light Green |
| PERFORMANCE | |
| Temp. Limits | Continuous: - 65°F to 350°F |
| | Excursions: up to 500°F |
| Flammability | Clamp Base: UL94, V0; FAR25.853 Cushion: meets UL 94, HB |

Other Products from Amphenol



QuickClips



Lightening Bushings

Amphenol Pcd

72 Cherry Hill Drive
Beverly, MA 01915 USA
email: info@amphenolpcd.com
phone: 978-624-3400

Amphenol Pcd

CONNECTING PEOPLE + TECHNOLOGY

X-ON Electronics

Largest Supplier of Electrical and Electronic Components

Click to view similar products for [Cable Mounting & Accessories](#) category:

Click to view products by [Amphenol](#) manufacturer:

Other Similar products are found below :

[582603-1](#) [009333-000](#) [727844N003](#) [747](#) [809090N001](#) [843188-000](#) [8666](#) [967279N002](#) [DB-11](#) [1300840039](#) [1300900096](#) [1301800416](#)
[1302264450](#) [1300830184](#) [1300830729](#) [1300900039](#) [1301580036](#) [1301850553](#) [1301860939](#) [1302000074](#) [1302261315](#) [1302264431](#)
[1337706-2](#) [APA18-AK](#) [1724](#) [1-787307-1](#) [185491N001](#) [1868](#) [HP-6N](#) [C-202-C](#) [202C221-13-0](#) [CA7308-000](#) [8S23-75FR-CS8184](#) [2684](#) [9648](#)
[3089](#) [988382-000](#) [A72821-000](#) [AA401](#) [173506-000](#) [202C292-13-0](#) [202C302-13-0](#) [2109](#) [300625](#) [3330](#) [3412](#) [M9142](#) [M9143](#) [529732-000](#)
[561-50D1187](#)