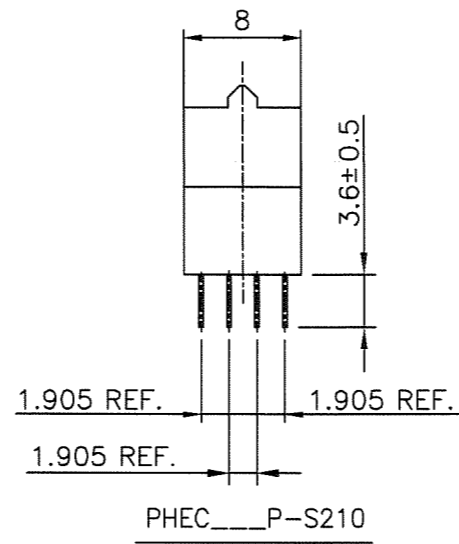
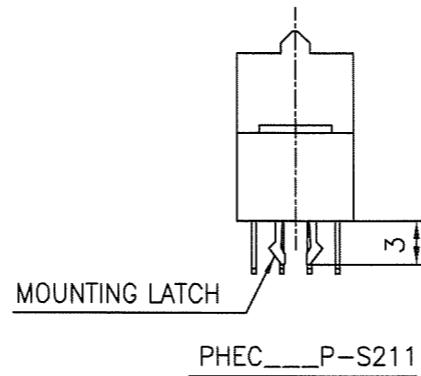
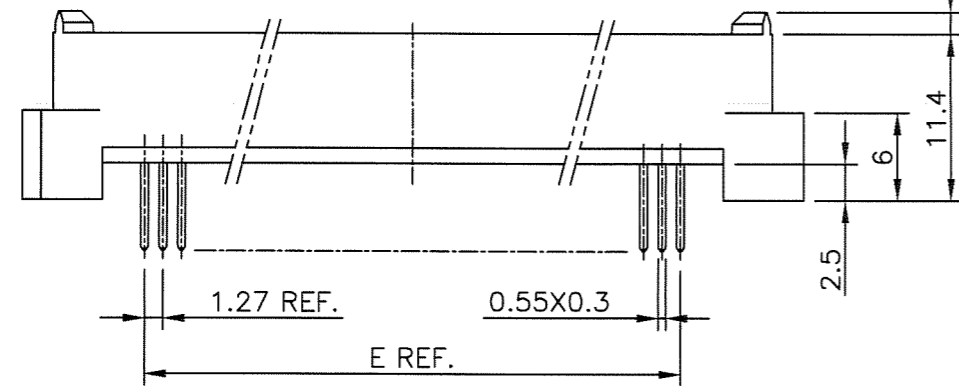
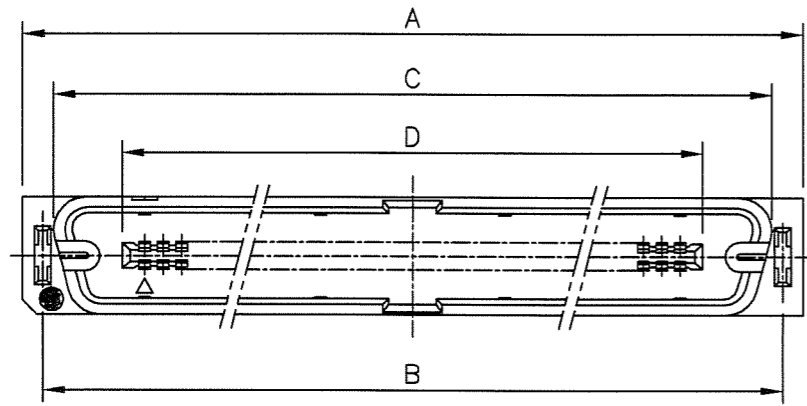


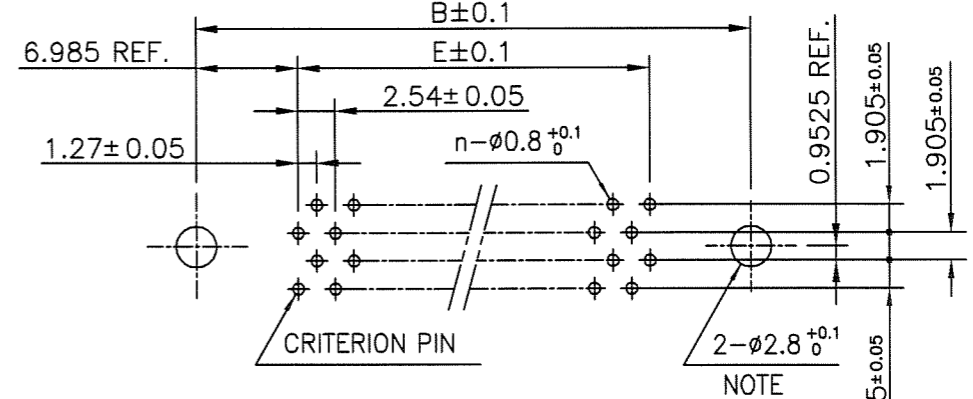
PRODUCT NO.

JSC 97406

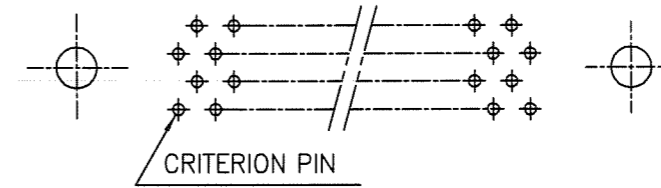


RECOMMENDED PC BOARD  
THICKNESS: 1.6 ± 0.2  
HOLE PATTERN (COMPONENT SIDE)

NO. OF CONTACTS : 40,60,68,80,100,120  
(n : NO. OF CONTACTS)



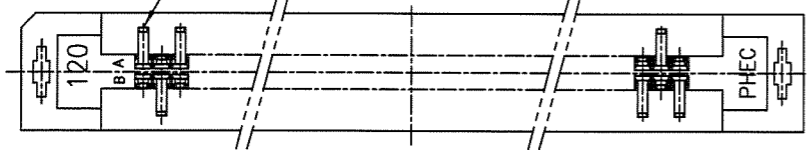
NO. OF CONTACTS : 30,34,50



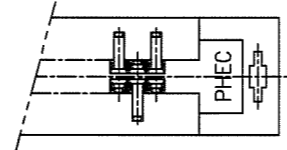
NOTE : THROUGH-HOLES FOR MOUNTING LATCHES ALSO SHOULD BE PLATED

NO. OF CONTACTS : 40,60,68,80,100,120

CRITERION PIN



NO. OF CONTACTS : 30,34,50



CAT. NO.	NO. OF CONTACTS (MATING SIDE)	DIMENSIONS				
		A	B	C	D	E
PHEC30P-S21_LF	15/ROW X 2 ROWS	34.55	31.75	30.30	20.42	17.78
PHEC34P-S21_LF	17/ROW X 2 ROWS	37.09	34.29	32.84	22.96	20.32
PHEC40P-S21_LF	20/ROW X 2 ROWS	40.90	38.10	36.65	26.77	24.13
PHEC50P-S21_LF	25/ROW X 2 ROWS	47.25	44.45	43.00	33.12	30.48
PHEC60P-S21_LF	30/ROW X 2 ROWS	53.60	50.80	49.35	39.47	36.83
PHEC68P-S21_LF	34/ROW X 2 ROWS	58.68	55.88	54.43	44.55	41.91
PHEC80P-S21_LF	40/ROW X 2 ROWS	66.30	63.50	62.05	52.17	49.53
PHEC100P-S21_LF	50/ROW X 2 ROWS	79.00	76.20	74.75	64.87	62.23
PHEC120P-S21_LF	60/ROW X 2 ROWS	91.70	88.90	87.45	77.57	74.93

NOTES

- BODY MATERIAL : NYLON GLASS FILLED (UL94V-0), COLOR BLACK
- TERMINAL MATERIAL : PHOSPHOR BRONZE
- MOUNTING LATCH MATERIAL : PHOSPHOR BRONZE
- TERMINAL FINISH  
CONTACT AREA : GOLD 0.25µm min. OVER NICKEL UNDERLAYER  
SOLDER TAILS : PURE Sn 2µm min. OVER NICKEL UNDERLAYER
- MOUNTING LATCH FINISH : PURE Sn 2µm min. OVER NICKEL UNDERLAYER
- THIS PRODUCT MEETS EUROPEAN UNION DIRECTIVES AND OTHER COUNTRY REGULATIONS AS DESCRIBED IN GS-22-008
- THE HOUSING WILL WITHSTAND EXPOSURE TO 260 DEGREE PEAK TEMPERATURE FOR 10 SECONDS IN A WAVE SOLDER APPLICATION WITH A 1.6mm MINIMUM THICK CIRCUIT BOARD.

mat'l. code		surface		tolerance		projection		product family		CODE	
---		ISO 1302		ISO 406		MM		PHEC		JP	
ltr		description		ecn no		dr		date		title	
A		RELEASED		J08-0178		S.W		2008-4-18		PRINTED CIRCUIT CONNECTOR (CAT.NO.PHEC ___ P-S21_LF)	
										dwg no	
										sheet 1 of 1 size	
										JSC 97406	
										A3	
										type	
										Customer Drawing	
sheet index		revision sheet		A		1				Rev.	
										A	

## X-ON Electronics

Largest Supplier of Electrical and Electronic Components

*Click to view similar products for [Headers & Wire Housings](#) category:*

*Click to view products by [Amphenol](#) manufacturer:*

Other Similar products are found below :

[892-18-020-10-001101](#) [58102-G61-06LF](#) [582553-1](#) [0009485154](#) [009176003701906](#) [0050291907](#) [LY20-4P-DT1-P1E-BR](#) [02.125.8002.8](#)  
[609-3404](#) [61062-3](#) [622-0430](#) [622-3653LF](#) [63453-116](#) [636-1030](#) [636-1427](#) [636-3427](#) [636-4007](#) [641938-9](#) [641991-4](#) [644827-2](#) [65817-010LF](#)  
[65817-015LF](#) [65863-015LF](#) [66207-023LF](#) [67095-007LF](#) [67601157](#) [68648-049](#) [70.362.1628.0](#) [70-4210](#) [70-4226B](#) [70-4853B](#) [707-5020](#) [707-5028](#) [71.350.2428.0](#) [71918-208LF](#) [71961-016LF](#) [733-134](#) [733-162](#) [754199-000](#) [760-3052](#) [787-8014-00](#) [79531-3000](#) [FCN-360C032-B](#) [FCN-367T-T012/H](#) [FCN-723D010/2](#) [80.063.4001.1](#) [800-90-001-10-001000](#) [800-90-010-10-002000](#) [801-43-002-10-013000](#) [801-43-006-10-002000](#)