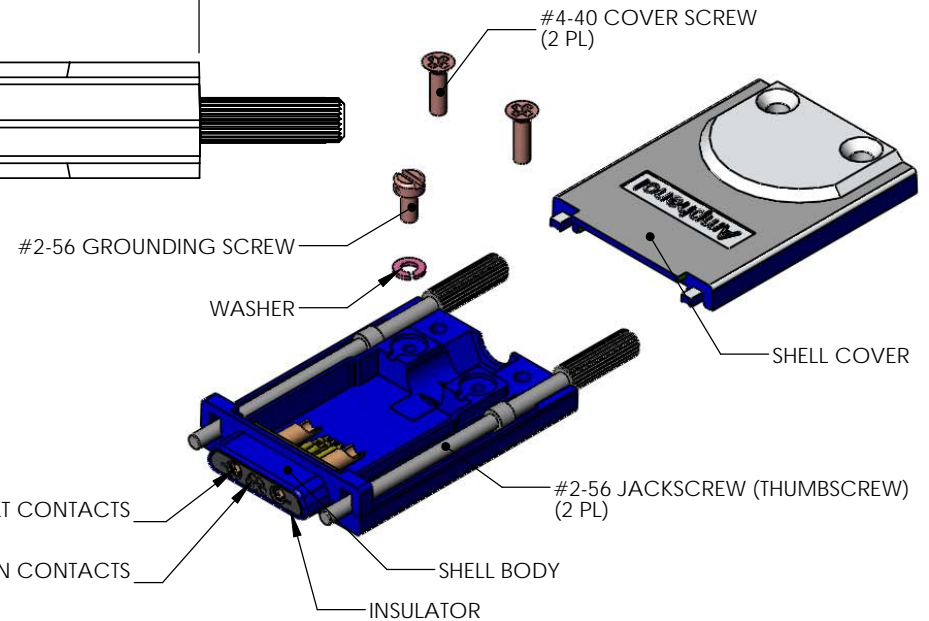
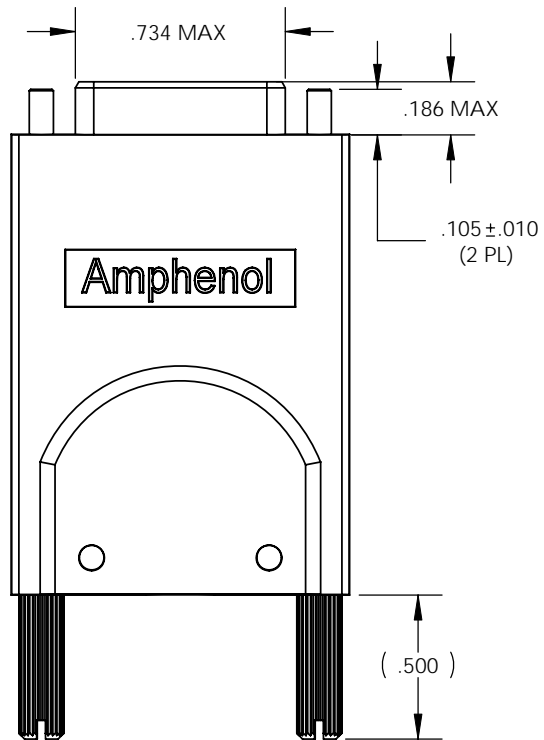
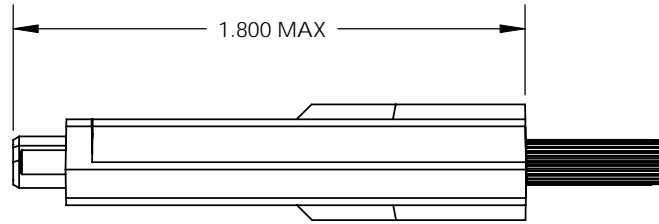
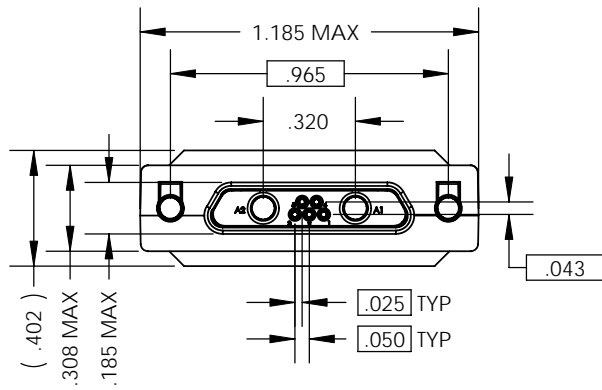
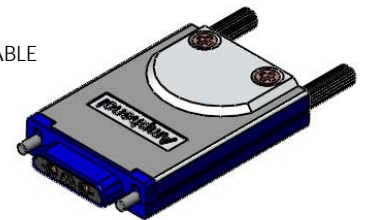


REV	DESCRIPTION	DATE	APPRD
E	DIMENSIONAL DETAILS ADDED	FEB 7/08	WH



- CONNECTOR TO MATE WITH PII-463
- PERFORMANCE:  
CONNECTOR MEETS REQUIREMENTS OF MIL-DTL-83513/01 WHERE APPLICABLE  
DIELECTRIC WITHSTANDING VOLTAGE: SAE LEVEL 600 VAC  
INSULATION RESISTANCE: 5000 MEGOHMS MINIMUM  
TEMPERATURE RATING: -55°C TO +85°C  
VIBRATION PER MIL-DTL-83513 OR MIL-STD-202G (METHOD 214A)
- ASSEMBLE, INSPECT, AND TEST I.A.W. MIL-DTL-83513
- MATERIAL AND FINISH:  
SHELL: ZINC DIE CAST, ELECTROLESS NICKEL PLATE PER MIL-C-26074  
CONTACT: SUITABLE COPPER ALLOY WITH GOLD PLATE PER MIL-G-45204, OVER NICKEL PLATE PER QQ-N-290  
INSULATOR: POLYPHENYLENE SULFIDE PER MIL-M-24519, TYPE GST-40F OR EQUIVALENT  
POTTING: EPOXY EP1730-1 OR EP1738-59  
HARDWARE: STAINLESS STEEL, PASSIVATED



1. MARKINGS: "Aph", DATE CODE AND PART NUMBER "PII-468-1"

NOTES: (UNLESS OTHERWISE SPECIFIED)

CAVITY IDENTIFICATION NUMBERS ARE FOR REFERENCE ONLY AND DO NOT APPEAR ON THE ACTUAL PART

THIRD ANGLE PROJECTION 		THIS DRAWING CONTAINS PROPRIETARY INFORMATION AND IS THE PROPERTY OF AMPHENOL CANADA CORPORATION. IT MAY NOT BE ISSUED FOR MANUFACTURE OR SALE, REPRODUCED, TRANSMITTED OR OTHERWISE DISCLOSED TO ANY OTHER PARTY WITHOUT WRITTEN CONSENT FROM AMPHENOL CANADA CORPORATION.			Amphenol Canada Corp. 605 Milner Ave., Toronto, ON M1B 5X6 Phone: (416) 291-4401 Fax: (416) 292-0647		
UNLESS OTHERWISE SPECIFIED ALL DIMENSIONS ARE INCHES		DRAWN: W. HO	DATE: FEB 7/08	TITLE: MICRO-D PLUG WITH INTEGRATED EMI BACKSHELL			
STANDARD TOLERANCES: X .XX .XXX ANGLE ±.1 ±.01 ±.005 ±.5°		CHECKED:	DATE:	SIZE: A	FSCM No.: 03554	DWG. No.: PII-468-1-CU	REV: E
MATERIAL SPECIFICATION:	SALES ORDER No.:	PART No.:	ERN#:	SCALE: DO NOT SCALE	SOLIDWORKS FILE No.:		SHT 1 of 1
EAR No.:	----	CUSTOMER:	CUSTOMER PIN:				

## X-ON Electronics

Largest Supplier of Electrical and Electronic Components

*Click to view similar products for [D-Sub Mixed Contact Connectors](#) category:*

*Click to view products by [Amphenol](#) manufacturer:*

Other Similar products are found below :

[790-025SF-5P5NMN](#) [790-025SJ-7P7NML](#) [DAM-7W2PC](#) [L717TWB5W5P3R](#) [L717TWB5W5PRM84](#) [L717TWP3W3P](#)  
[3003W3PXX56N40X](#) [3005W5PXX99A30X](#) [3005W5PXX99E40X](#) [3005W5SXX99A30X](#) [3005W5SXX99E40X](#) [3013W6SCM99A10X](#)  
[3036W4PCM41A10X](#) [3036W4SCM99A10X](#) [FCE17-E2W2SS-2N0](#) [212522-7](#) [PII-468-1](#) [3003W3PXX43A10X](#) [3003W3SXX56N40X](#)  
[3005W5PXX88N40X](#) [3007W2PAR71E20X](#) [3008W8SXX57A30X](#) [3009W4PCT57P20X](#) [3011W1SXX99A10X](#) [3013W3PCM99A10X](#)  
[3017W2SAR69C40X](#) [321WA4PXK99A60X](#) [3F3SSC22S41A30X](#) [L717TWA7W2PP2SY3R](#) [DBM-17W2S-1A8N-A190-A197-1](#)  
[421WA4PCR50E20X](#) [09691009009](#) [09691100022500](#) [09693009176](#) [09692009147](#) [09693909015](#) [6017W2PCM41B30X](#) [790-061SH-](#)  
[36W2NMNA](#) [790-044SE-7P3MNPB](#) [790-043PE-11P2MPA](#) [790-043PB-2P2MPB](#) [790-029SB-2P2MEPA](#) [790-028PK-9P9MPA](#) [790-028PH-](#)  
[54P2MGA](#) [790-028PH-36P2MNA](#) [790-028PB-2P2MPA](#) [790-027SH-5W5MTEP](#) [790-026PH-54P2ZNUG](#) [790-026PH-54P2MP](#) [790-026PH-](#)  
[36P2ZNUG](#)