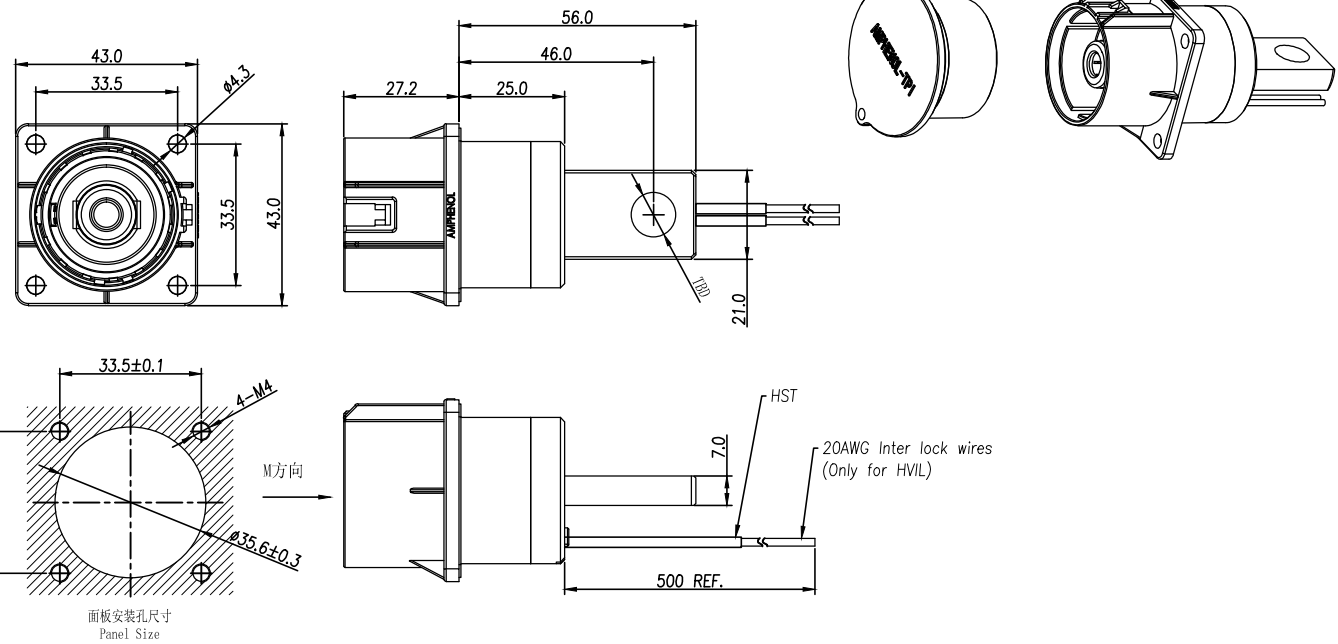


THIS DRAWING IS SUPPLIED FOR INFORMATION ONLY. DESIGN FEATURES, SPECIFICATIONS AND PERFORMANCE DATA SHOWN HEREON ARE THE PROPERTY OF THE AMPHENOL CORPORATION. NO RIGHTS OF REPRODUCTION ARE IMPLIED. ALL DIMENSIONS ARE SUBJECT TO NORMAL MANUFACTURING VARIATIONS.

Customer Drawing

| REVISIONS |      |     |                                     |          |         |
|-----------|------|-----|-------------------------------------|----------|---------|
| REV       | ZONE | ECO | DESCRIPTION                         | DATE     | BY APPR |
| A         | --   | --  | Add fasten torque on lug and flange | 08/14/15 | RW TS   |
| B         | --   | --  | Change HVIL Wire, Update Spec.      | 03/31/16 | RW TS   |
| C         | --   | --  | Increase the model                  | 05/09/16 | KC GX   |



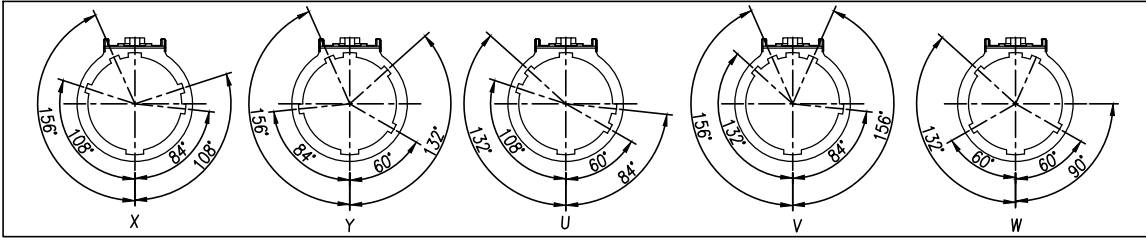
Standard Part List

| P/N           | Model NO.       | Polarization |
|---------------|-----------------|--------------|
| AC-HA000499   | PL00X-500-10D10 | X            |
| AC-HA000500   | PL00Y-500-10D10 | Y            |
| AC-HA000501   | PL00U-500-10D10 | U            |
| AC-HA000502   | PL00V-500-10D10 | V            |
| AC-HA000503   | PL00W-500-10D10 | W            |
| AC-HA000504   | PL00X-500-10M10 | X            |
| AC-HA000505   | PL00Y-500-10M10 | Y            |
| AC-HA000506   | PL00U-500-10M10 | U            |
| AC-HA000507   | PL00V-500-10M10 | V            |
| AC-HA000508   | PL00W-500-10M10 | W            |
| △ AC-HA002511 | PL00X-500-10M8  | X            |
| △ AC-HA002512 | PL00Y-500-10M8  | Y            |
| △ AC-HA002513 | PL00U-500-10M8  | U            |
| △ AC-HA002514 | PL00V-500-10M8  | V            |
| △ AC-HA002515 | PL00W-500-10M8  | W            |

Standard Part List (With HVIL)

| P/N           | Model NO.       | Polarization |
|---------------|-----------------|--------------|
| AC-HA000489   | PL00X-501-10D10 | X            |
| AC-HA000490   | PL00Y-501-10D10 | Y            |
| AC-HA000491   | PL00U-501-10D10 | U            |
| AC-HA000492   | PL00V-501-10D10 | V            |
| AC-HA000493   | PL00W-501-10D10 | W            |
| AC-HA000494   | PL00X-501-10M10 | X            |
| AC-HA000495   | PL00Y-501-10M10 | Y            |
| AC-HA000496   | PL00U-501-10M10 | U            |
| AC-HA000497   | PL00V-501-10M10 | V            |
| AC-HA000498   | PL00W-501-10M10 | W            |
| △ AC-HA002460 | PL00X-501-10M8  | X            |
| △ AC-HA002461 | PL00Y-501-10M8  | Y            |
| △ AC-HA002462 | PL00U-501-10M8  | U            |
| △ AC-HA002463 | PL00V-501-10M8  | V            |
| △ AC-HA002464 | PL00W-501-10M8  | W            |

M方向键位示意图



规格参数 (Spec.):

- 工作温度 Operating temperature: -40° C~+125° C.
- 带高压互锁 Electrical interlock (HVIL).
- 额定电流 Current rating: Power: 500A; HVIL: 5A.
- 额定电压 Operating voltage: Power: 1000 VDC; Signal: 60 VDC.
- 耐压 Dielectric withstanding voltage:
  - 与插头对插后, Pin与铁壳之间 After mating, between pin and metal shell :5000 VDC.
  - 与插头对插后, Pin与HVIL之间 After mating, between pin and HVIL :5000 VDC.
  - 与插头对插后, HVIL与铁壳之间 After mating, between HVIL and metal shell :500 VDC.
  - 与插头对插前, 两个HVIL端子之间耐压 Before mating, between two HVIL terminals :500 VDC.
- 防护等级 Protection class: IP67 & IP2X.
- 电磁屏蔽 Shielding.
- 机械寿命 Mating cycle: 500 Min.
- 带自动二次锁扣 Automatic secondary lock.
- 铜排推荐安装扭矩 Recommended Fasten Torque on Lug:
  - M6 : 3.6~4.4 Nm
  - M8 : 7.2~8.8 Nm
  - M10: 17.1~20.9 Nm
- 推荐法兰盘螺丝安装扭矩 Recommended Screw Assembly Torque on Flange : 1.6~2.4 Nm

订购信息 Ordering Information

PL00 X - 50 0 - 10 D 10

|   |                                     |  |                 |
|---|-------------------------------------|--|-----------------|
| 键位及颜色 Key & Color   | 高压互锁 HVIL                           | 孔种类 Hole Type                          | 联接螺栓 Bolt Size  |
| "X", 橙色 Orange<br>"Y", 黑色 Black<br>"U", 黄色 Yellow<br>"V", 绿色 Green<br>"W", 红色 Red | 0, 不带互锁 No HVIL<br>1, 带互锁 With HVIL | D, 通孔 Through Hole<br>M, 螺孔 Screw Hole | Customer Define |

|              |  |                            |  |            |                     |
|--------------|--|----------------------------|--|------------|---------------------|
|              | Amphenol Technical Products International GZ |                            |  |            |                     |
|              | 第三角投影<br>THIRD ANGLE<br>PROJECTION           | 页面<br>SHEET                | 幅面<br>SIZE   | 版次<br>REV. | 比例<br>SCALE         |
| 签名 SIGNATURE | 日期 DATE                                      | UNLESS OTHERWISE SPECIFIED |  |            | DWG NO:             |
| 制图 DRAWN     | KC   | 05/09/16                   | 1) All dimensions are in metric(mm).               |            |                     |
| 审核 CHECKED   | RW   | 05/09/16                   | 2) Tolerances are as follows:                      |            |                     |
| 批准 APPROVAL  | GX   | 05/09/16                   | 0 PL DEC ±1.00<br>1 PL DEC ±0.50<br>2 PL DEC ±0.20 |            |                     |
|              |  |                            |  |            | CUST PART #:<br>N/A |
|              |  |                            |  |            | CUST REV.<br>-      |

## X-ON Electronics

Largest Supplier of Electrical and Electronic Components

*Click to view similar products for [Heavy Duty Power Connectors](#) category:*

*Click to view products by [Amphenol](#) manufacturer:*

Other Similar products are found below :

[6646058-2](#) [6646137-1](#) [6646138-1](#) [6646940-1](#) [6651091-1](#) [6651525-1](#) [6651529-1](#) [696475-1](#) [702-32-01109](#) [703-25-02205](#) [73000005059](#)  
[73000005642](#) [73080254296](#) [73080255059](#) [73080965046](#) [765-15-0080A](#) [765-16-0080B](#) [765-18-0080D](#) [902-77-02113](#) [PS00/A0620/6300](#)  
[129-1J](#) [1409400](#) [E6374G1](#) [e6389g2](#) [157-43GW8](#) [MS3117-14AC](#) [1643543-1](#) [1650540-1](#) [1766966-1](#) [1791340000](#) [NLDFT-3-BL-L-S120-](#)  
[M40A](#) [NLDFT-N-W-L-C240-M40B](#) [1926015-1](#) [NLS-N-W-C240-M40B](#) [2-1589900-8](#) [2199314-1](#) [KA8102](#) [9300480317](#) [29131](#) [294-0091-](#)  
[01100](#) [296-0040-01100](#) [1648582-1](#) [A32595-0049](#) [1766249-1](#) [1766280-1](#) [1766818-1](#) [STV-H15S2-F/CO](#) [279-0841-10100A](#) [30-9717](#) [RMSB4](#)