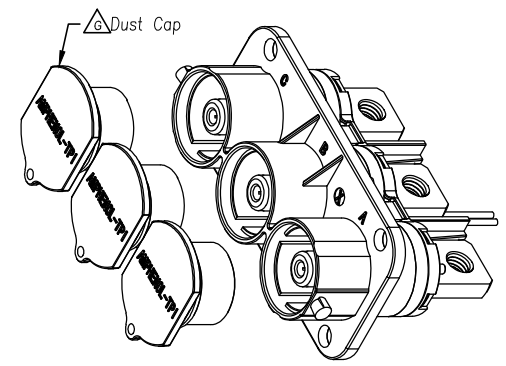
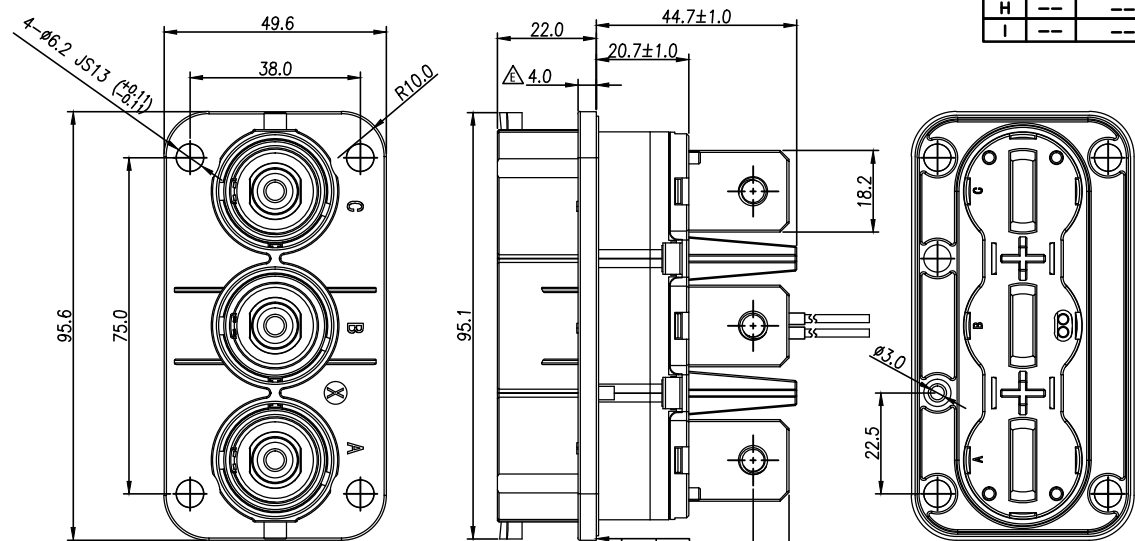


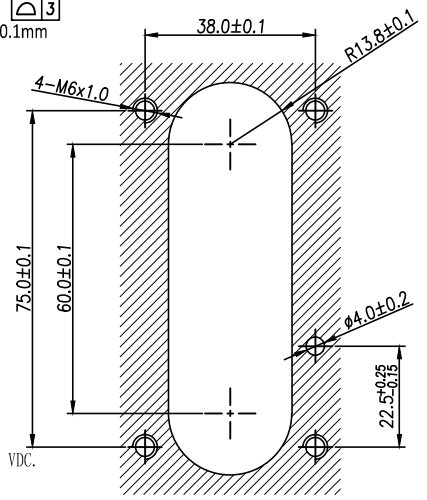
THIS DRAWING IS SUPPLIED FOR INFORMATION ONLY. DESIGN FEATURES, SPECIFICATIONS AND PERFORMANCE DATA SHOWN HEREON ARE THE PROPERTY OF THE AMPHENOL CORPORATION. NO RIGHTS OF REPRODUCTION ARE IMPLIED. ALL DIMENSIONS ARE SUBJECT TO NORMAL MANUFACTURING VARIATIONS.

Customer Drawing

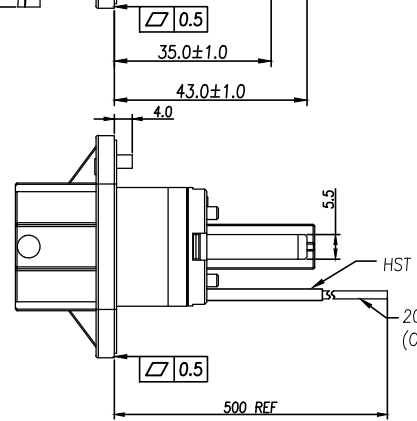
| REVISIONS | | | | | |
|-----------|------|-----|-----------------------------------------------|----------|-----------|
| REV | ZONE | ECO | DESCRIPTION | DATE | BY APPR |
| A | -- | -- | INITIAL RELEASE | 03/13/14 | RW EC |
| G | -- | -- | Add Dust Cap & Change HVIL Wire, Update Spec. | 03/29/16 | RW TS |
| H | -- | -- | Add Geometric Tolerance of Flange & Panel | 10/21/16 | RW PL |
| I | -- | -- | Change Shell and Gasket | 05/10/17 | Sam Julie |



- Notices:
- All non-dimensioned surfaces according to 3D-model & $\nabla 3$
 - Planeness of panel surface should less than or equal to 0.1mm
 - Roughness of panel surface should be $\sqrt{3}$ or better.
 - Thickness of panel should not exceed 12mm.



- 规格参数 (Spec.):
- 工作温度 Operating temperature: $-40^{\circ}\text{C} \sim +125^{\circ}\text{C}$.
 - 带高压互锁 Electrical interlock (HVIL).
 - 额定电流 Current rating:
Power: 300A; HVIL: 5A.
 - 额定电压 Operating voltage:
Power: 1000 VDC; Signal: 60 VDC.
 - 耐电压 Dielectric withstanding voltage:
 - 与插头对插后, Pin与铁壳之间
After mating, between pin and metal shell :5000 VDC.
 - 与插头对插后, Pin与HVIL之间
After mating, between pin and HVIL :5000 VDC.
 - 与插头对插后, HVIL与铁壳之间
After mating, between HVIL and metal shell :500 VDC.
 - 与插头对插前, 两个HVIL端子之间耐压
Before mating, between two HVIL terminals :500 VDC.



Standard Part List (With HVIL)

| P/N | Model NO. | Mating Plug Model NO. |
|-------------|------------------|------------------------------|
| AC-HA001132 | PL083X-301-10D10 | PL183X-301-XX, PL283X-301-XX |
| AC-HA001133 | PL083Y-301-10D10 | PL183Y-301-XX, PL283Y-301-XX |
| AC-HA001136 | PL083X-301-10D8 | PL183X-301-XX, PL283X-301-XX |
| AC-HA001137 | PL083Y-301-10D8 | PL183Y-301-XX, PL283Y-301-XX |
| AC-HA001138 | PL083X-301-10M8 | PL183X-301-XX, PL283X-301-XX |
| AC-HA001139 | PL083Y-301-10M8 | PL183Y-301-XX, PL283Y-301-XX |
| AC-HA001142 | PL083X-301-10M6 | PL183X-301-XX, PL283X-301-XX |
| AC-HA001143 | PL083Y-301-10M6 | PL183Y-301-XX, PL283Y-301-XX |

Standard Part List (With Out HVIL)

| P/N | Model NO. | Mating Plug Model NO. |
|-------------|------------------|------------------------------|
| AC-HA001144 | PL083X-300-10D10 | PL183X-300-XX, PL283X-300-XX |
| AC-HA001145 | PL083Y-300-10D10 | PL183Y-300-XX, PL283Y-300-XX |
| AC-HA001148 | PL083X-300-10D8 | PL183X-300-XX, PL283X-300-XX |
| AC-HA001149 | PL083Y-300-10D8 | PL183Y-300-XX, PL283Y-300-XX |
| AC-HA001150 | PL083X-300-10M8 | PL183X-300-XX, PL283X-300-XX |
| AC-HA001151 | PL083Y-300-10M8 | PL183Y-300-XX, PL283Y-300-XX |
| AC-HA001154 | PL083X-300-10M6 | PL183X-300-XX, PL283X-300-XX |
| AC-HA001155 | PL083Y-300-10M6 | PL183Y-300-XX, PL283Y-300-XX |

订购信息 Ordering Information

| | | | | | | | | |
|-----------|------------------|--------------------|-----------------|---|---|----|---|---|
| PL083 | X | - | 30 | 1 | - | 10 | D | 8 |
| 键位及颜色 Key | 高压互锁 HVIL | 孔种类 Hole Type | 联接螺栓 Bolt Size | | | | | |
| "X" Key | 0, 不带互锁 No HVIL | D, 通孔 Through Hole | Customer Define | | | | | |
| "Y" Key | 1, 带互锁 With HVIL | M, 螺孔 Screw Hole | | | | | | |
| | | H, 腰孔 Slotted Hole | | | | | | |

- 铜排推荐安装扭矩 Recommended Fasten Torque on Lug:
M6 : 3.6~4.4 Nm
M8 : 7.2~8.8 Nm
M10: 17.1~20.9 Nm
- 推荐法兰盘螺丝安装扭矩 Recommended Screw Assembly Torque on Flange : 6.2~7.6 Nm

Amphenol Technical Products International GZ

| | | | | | |
|-----------------------------------------------------------------------------------------------------------------------------------------------------------|-------------|------------|------------|-------------|-------------------------------------------------|
| 第三角投影 THIRD ANGLE PROJECTION | 页面 SHEET | 幅面 SIZE | 版次 REV. | 比例 SCALE | PART NAME: PwrLok 10mm 3POS Rcpt Conn |
| 1 of 1 | A3 | 1 | | | DWG NO: PL083-300-10 |
| UNLESS OTHERWISE SPECIFIED 1) All dimensions are in metric(mm). 2) Tolerances are as follows: 0 PL DEC ±1.00 1 PL DEC ±0.50 2 PL DEC ±0.20 | | | | | CUST PART #: N/A |
| 签 名 SIGNATURE 日期 DATE 05/10/17 | | | | | CUST REV. - |
| 制 图 DRAWN Sam | | | | | |
| 审 核 CHECKED Julie | | | | | |
| 批 准 APPROVAL Hkey | | | | | |

X-ON Electronics

Largest Supplier of Electrical and Electronic Components

Click to view similar products for [Heavy Duty Power Connectors](#) category:

Click to view products by [Amphenol](#) manufacturer:

Other Similar products are found below :

[647757-1](#) [6643411-1](#) [6646058-2](#) [6646137-1](#) [6646138-1](#) [6646479-1](#) [6646608-1](#) [6646786-1](#) [6646940-1](#) [6651091-1](#) [6651525-1](#) [6651529-1](#)
[6651788-1](#) [696475-1](#) [73000005059](#) [73000005642](#) [765-15-0080A](#) [765-16-0080B](#) [829992-1](#) [902-77-02113](#) [129-1J](#) [AN0024023](#) [E6374G1](#)
[e6389g2](#) [157-43GW8](#) [MS3117-14AC](#) [1643543-1](#) [1650540-1](#) [1651811-2](#) [1766260-1](#) [1766282-1](#) [1766966-1](#) [1791340000](#) [NLDFT-3-BL-L-](#)
[S120-M40A](#) [NLDFT-N-W-L-C240-M40B](#) [NLS-2-R-C240-M40B](#) [NLS-N-W-C240-M40B](#) [NPS-3-BL-T6](#) [1986615-1](#) [2-1589900-8](#) [2199314-1](#)
[KA8102](#) [9300480317](#) [SBS50BRN#6](#) [29131](#) [29652](#) [1646905-1](#) [1648320-1](#) [1648582-1](#) [1650195-2](#)