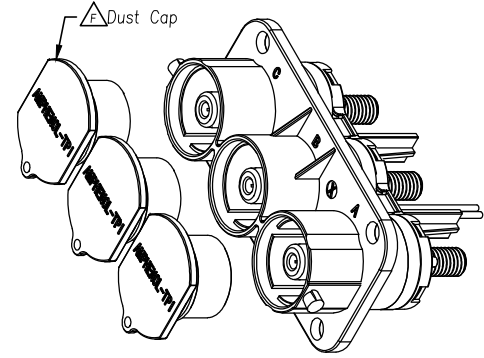
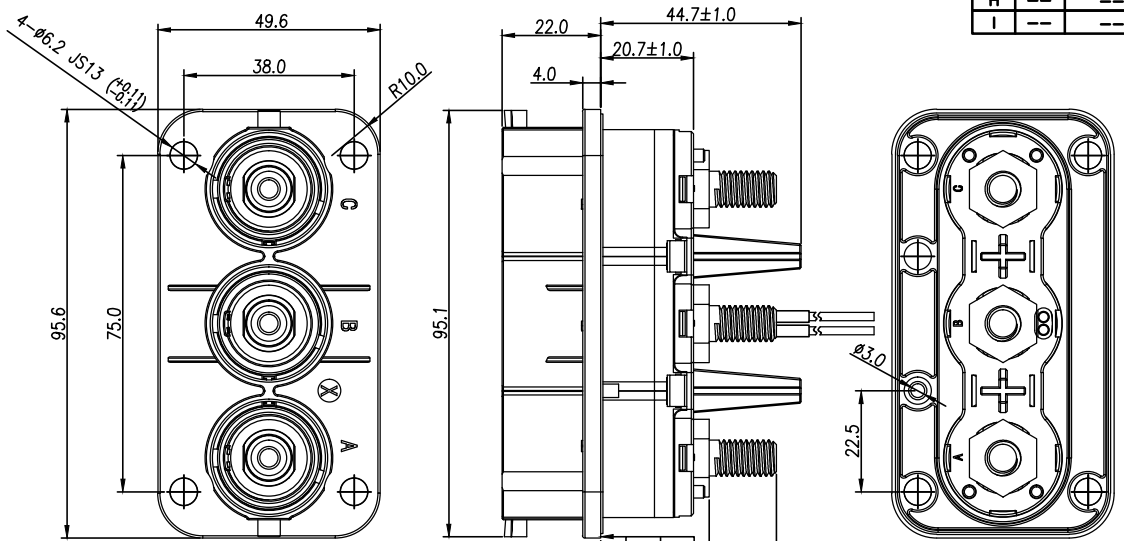


THIS DRAWING IS SUPPLIED FOR INFORMATION ONLY. DESIGN FEATURES, SPECIFICATIONS AND PERFORMANCE DATA SHOWN HEREON ARE THE PROPERTY OF THE AMPHENOL CORPORATION. NO RIGHTS OF REPRODUCTION ARE IMPLIED. ALL DIMENSIONS ARE SUBJECT TO NORMAL MANUFACTURING VARIATIONS.

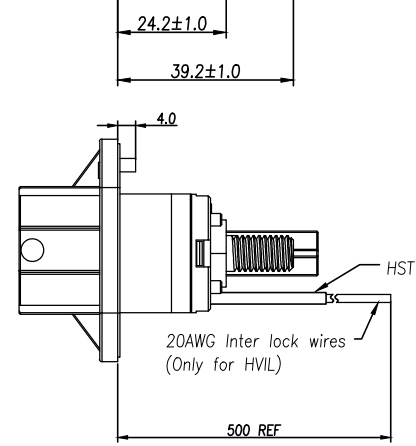
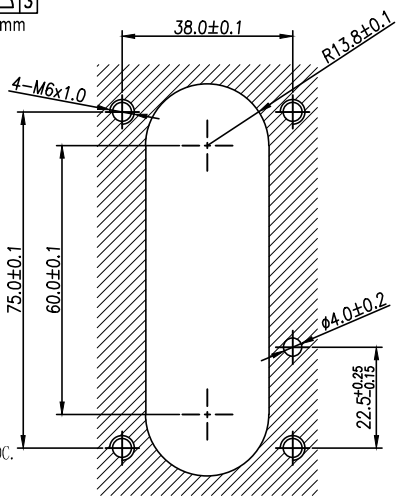
Customer Drawing

REVISIONS					
REV	ZONE	ECO	DESCRIPTION	DATE	BY APPR
A	--	--	INITIAL RELEASE	05/21/14	RW EC
F	--	--	Add Dust Cap & Change HVIL Wire, Update Spec.	03/29/16	RW TS
H	--	--	Add Geometric Tolerance of Flange & Panel	10/21/16	RW PL
I	--	--	Change Shell and Gasket	05/10/17	Sam Julie



- Notices:
- All non-dimensioned surfaces according to 3D-model & $\sqrt{0.3}$
 - Planeness of panel surface should be less than or equal to 0.1mm
 - Roughness of panel surface should be $\sqrt{0.4}$ or better.
 - Thickness of panel should not exceed 12mm.

- 规格参数 (Spec.):
- 工作温度 Operating temperature: $-40^{\circ}\text{C} \sim +125^{\circ}\text{C}$.
 - 带高压互锁 Electrical interlock (HVIL).
 - 额定电流 Current rating:
Power: 300A; HVIL: 5A.
 - 额定电压 Operating voltage:
Power: 1000 VDC; Signal: 60 VDC.
 - 耐电压 Dielectric withstanding voltage:
 - 与插头对插后, Pin与铁壳之间
After mating, between pin and metal shell :5000 VDC.
 - 与插头对插后, Pin与HVIL之间
After mating, between pin and HVIL :5000 VDC.
 - 与插头对插后, HVIL与铁壳之间
After mating, between HVIL and metal shell :500 VDC.
 - 与插头对插前, 两个HVIL端子之间耐压
Before mating, between two HVIL terminals :500 VDC.
 - 防护等级 Protection class: IP67 & IP2X.
 - 电磁屏蔽 Shielding.
 - 机械寿命 Mating cycle: 50 Min.
 - 带自动二次锁扣 Automatic secondary lock.
 - 铜排推荐安装扭矩 Recommended Fasten Torque on Lug:
 - M6 : 3.6~4.4 Nm
 - M8 : 7.2~8.8 Nm
 - M10: 17.1~20.9 Nm
 - 推荐法兰盘螺丝安装扭矩 Recommended Screw Assembly Torque on Flange : 6.2~7.6 Nm



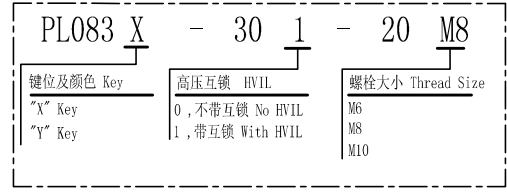
Standard Part List (With HVIL)

P/N	Model NO.	Mating Plug Model NO.
AC-HA001511	PL083X-301-20M8	PL183X-301-XX, PL283X-301-XX
AC-HA001512	PL083Y-301-20M8	PL183Y-301-XX, PL283Y-301-XX
AC-HA002449	PL083X-301-20M6	PL183X-301-XX, PL283X-301-XX
AC-HA002450	PL083Y-301-20M6	PL183Y-301-XX, PL283Y-301-XX
AC-HA002531	PL083X-301-20M10	PL183X-301-XX, PL283X-301-XX
AC-HA002532	PL083Y-301-20M10	PL183Y-301-XX, PL283Y-301-XX

Standard Part List (Without HVIL)

P/N	Model NO.	Mating Plug Model NO.
AC-HA001513	PL083X-300-20M8	PL183X-300-XX, PL283X-300-XX
AC-HA001514	PL083Y-300-20M8	PL183Y-300-XX, PL283Y-300-XX
AC-HA002451	PL083X-300-20M6	PL183X-300-XX, PL283X-300-XX
AC-HA002452	PL083Y-300-20M6	PL183Y-300-XX, PL283Y-300-XX
AC-HA002533	PL083X-300-20M10	PL183X-300-XX, PL283X-300-XX
AC-HA002534	PL083Y-300-20M10	PL183Y-300-XX, PL283Y-300-XX

订购信息 Ordering Information



	Amphenol Technical Products International GZ				
	第三角投影 THIRD ANGLE PROJECTION	页面 SHEET	幅面 SIZE	版次 REV.	比例 SCALE
签名 SIGNATURE	日期 DATE	UNLESS OTHERWISE SPECIFIED			DWG NO: PL083-300-20
制图 DRAWN	Sam	1) All dimensions are in metric (mm). 2) Tolerances are as follows:			CUST PART #: N/A
审核 CHECKED	Julie	0 PL DEC ±1.00 1 PL DEC ±0.50 2 PL DEC ±0.20			CUST REV. -
批准 APPROVAL	Haley	Angles ±1°			

X-ON Electronics

Largest Supplier of Electrical and Electronic Components

Click to view similar products for [Heavy Duty Power Connectors](#) category:

Click to view products by [Amphenol](#) manufacturer:

Other Similar products are found below :

[6646058-2](#) [6646137-1](#) [6646138-1](#) [6646940-1](#) [6651091-1](#) [6651525-1](#) [6651529-1](#) [696475-1](#) [702-32-01109](#) [73080255059](#) [73080965046](#)
[7310205040001](#) [765-16-0080B](#) [765-18-0080D](#) [902-77-02113](#) [PS00/A0620/6300](#) [AN0024023](#) [154-42B7WM250](#) [MS3117-14AC](#) [1643543-1](#)
[1766966-1](#) [1791340000](#) [NLDFT-3-BL-L-S120-M40A](#) [NLDFT-N-W-L-C240-M40B](#) [1926015-1](#) [NLS-3-BL-C240-M40B](#) [NLS-N-W-C240-](#)
[M40B](#) [NPS-3-BL-T6](#) [2-1589900-8](#) [9300480317](#) [294-0091-01100](#) [296-0040-01100](#) [1-6609148-0](#) [A32595-0049](#) [1766249-1](#) [19000005132](#)
[1926016-1](#) [1-966831-8](#) [AN0024202](#) [AN0264023](#) [279-0841-10100A](#) [281-0334-00100A](#) [RMSB4](#) [419-2083-301](#) [LCDX4/0-14B-X](#) [075-8519-](#)
[001](#) [078238-1613](#) [07.470.3256.0](#) [09000005288](#) [09140240311](#)