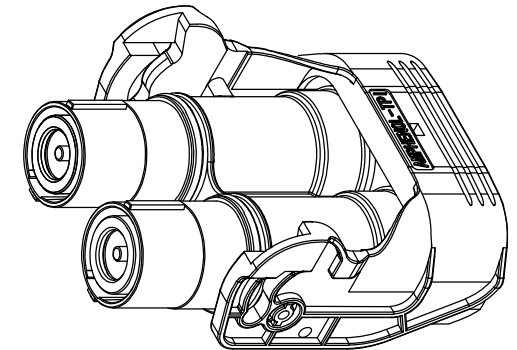
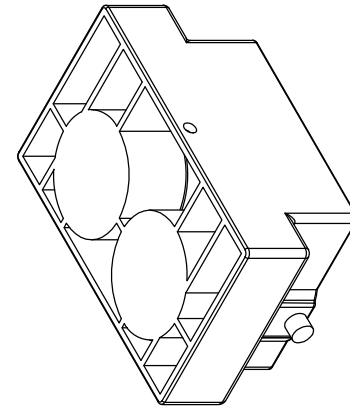
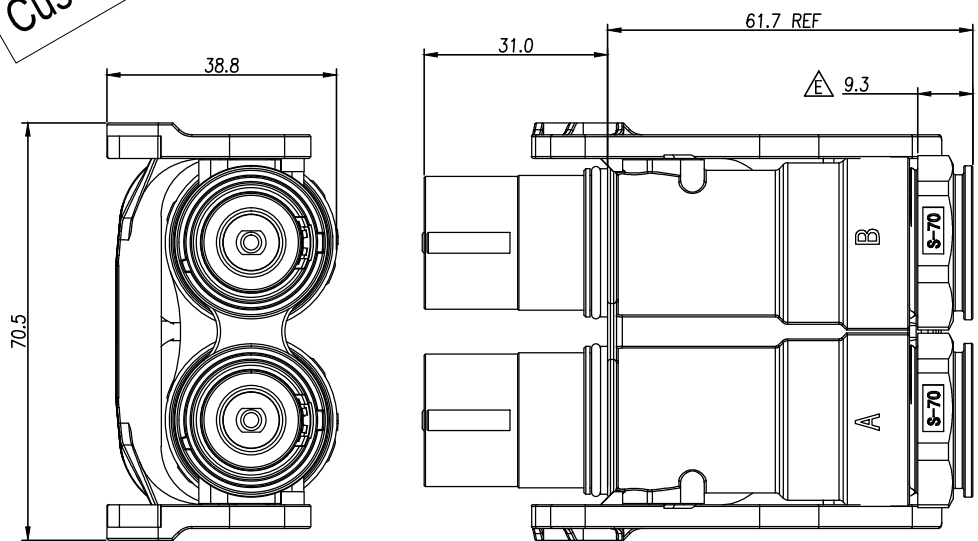


THIS DRAWING IS SUPPLIED FOR INFORMATION ONLY. DESIGN FEATURES, SPECIFICATIONS AND PERFORMANCE DATA SHOWN HEREON ARE THE PROPERTY OF THE AMPHENOL CORPORATION. NO RIGHTS OF REPRODUCTION ARE IMPLIED. ALL DIMENSIONS ARE SUBJECT TO NORMAL MANUFACTURING VARIATIONS.

Customer Drawing

| REVISIONS |      |     |   |          |    |      |
|-----------|------|-----|---|----------|----|------|
| REV       | ZONE | ECO | DESCRIPTION                                   | DATE     | BY | APPR |
| A         | --   | --  | Updated                                       | 07/04/14 | RW | EC   |
| C         | --   | --  | Rear nut increase 1mm, reduced inner diameter | 09/08/15 | RW | EC   |
| D         | --   | --  | Add dust cap                                  | 01/15/16 | RW | GX   |
| E         | --   | --  | 更改尾盖  | 10/17/16 | SW | RW   |

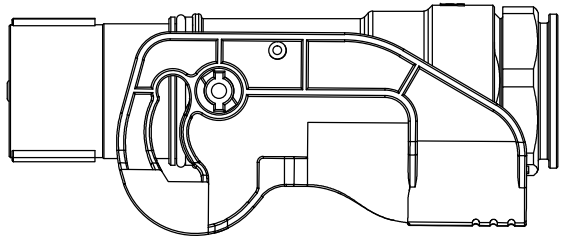


Standard Part List (With HVIL)

| P/N         | Model NO.     | Polarization |
|-------------|---------------|--------------|
| AC-HA000775 | PL182X-301-35 | X            |
| AC-HA000776 | PL182Y-301-35 | Y            |
| AC-HA000777 | PL182X-301-50 | X            |
| AC-HA000778 | PL182Y-301-50 | Y            |
| AC-HA000779 | PL182X-301-70 | X            |
| AC-HA000780 | PL182Y-301-70 | Y            |

Standard Part List (Without HVIL)

| P/N         | Model NO.     | Polarization |
|-------------|---------------|--------------|
| AC-HA000787 | PL182X-300-35 | X            |
| AC-HA000788 | PL182Y-300-35 | Y            |
| AC-HA000789 | PL182X-300-50 | X            |
| AC-HA000790 | PL182Y-300-50 | Y            |
| AC-HA000791 | PL182X-300-70 | X            |
| AC-HA000792 | PL182Y-300-70 | Y            |



订购信息 Ordering Information

规格参数 (Spec.):

- 工作温度 Operating temperature: -40° C~+125° C.
- 额定电流 Current rating (Connector Only): 300 A.
- 额定电压 Operating voltage: 1000 VDC.
- 耐电压 Dielectric withstanding voltage: 5000 VDC.
- 防护等级 Protection class: IP67 & IP2X.
- 电磁屏蔽 Shielding.
- 机械寿命 Mating cycle: 500 Min.
- 带自动二次锁扣 Automatic secondary lock.
- 带高压互锁 Electrical interlock (HVIL).
- 对配插座见图纸 Mating receptacle see drawing: PL082-300.

|                                 |  |   |   |    |   |   |    |
|---------------------------------|--|---|---|----|---|---|----|
| PL18                            | 2  | X | -   | 30 | 1 | - | 70 |
| 键位及颜色 Key<br>"X" Key<br>"Y" Key | 高压互锁 HVIL<br>0, 不带互锁 No HVIL<br>1, 带互锁 With HVIL |   | 线缆大小 Cable Size<br>"70"=70mm <sup>2</sup><br>"50"=50mm <sup>2</sup><br>"35"=35mm <sup>2</sup> |    |   |   |    |

|              |  |             |            |   |             |  |              |                |
|--------------|--|-------------|------------|---|-------------|--|--------------|----------------|
|              | Amphenol Technical Products International GZ |             |            |   |             | PART NAME:<br>PwrLok 10mm 2POS Plug Conn |              |                |
|              | 第三角投影<br>THIRD ANGLE<br>PROJECTION           | 页面<br>SHEET | 幅面<br>SIZE | 版次<br>REV.  | 比例<br>SCALE | DWG NO:<br>PL182-300                     |              |                |
| 签名 SIGNATURE |  | 日期 DATE     |            | UNLESS OTHERWISE SPECIFIED  |             |  | CUST PART #: |                |
| 制图 DRAWN     | RW   | 02/28/14    |            | 1) All dimensions are in metric(mm).<br>2) Tolerances are as follows:<br>0 PL DEC ±1.00<br>1 PL DEC ±0.50<br>2 PL DEC ±0.20      Angles ±1° |             |  | PL182-300    |                |
| 审核 CHECKED   | GX   | 02/28/14    |            |   |             |  | N/A          | CUST REV.<br>- |
| 批准 APPROVAL  | EC   | 02/28/14    |            |   |             |  |              |                |

## X-ON Electronics

Largest Supplier of Electrical and Electronic Components

*Click to view similar products for [Heavy Duty Power Connectors](#) category:*

*Click to view products by [Amphenol](#) manufacturer:*

Other Similar products are found below :

[647757-1](#) [6643411-1](#) [6646058-2](#) [6646137-1](#) [6646138-1](#) [6646479-1](#) [6646608-1](#) [6646786-1](#) [6646940-1](#) [6651091-1](#) [6651525-1](#) [6651529-1](#)  
[6651788-1](#) [696475-1](#) [73000005059](#) [73000005642](#) [765-15-0080A](#) [765-16-0080B](#) [829992-1](#) [902-77-02113](#) [129-1J](#) [AN0024023](#) [E6374G1](#)  
[e6389g2](#) [157-43GW8](#) [MS3117-14AC](#) [1643543-1](#) [1650540-1](#) [1651811-2](#) [1766260-1](#) [1766282-1](#) [1766966-1](#) [1791340000](#) [NLDFT-3-BL-L-](#)  
[S120-M40A](#) [NLDFT-N-W-L-C240-M40B](#) [NLS-2-R-C240-M40B](#) [NLS-N-W-C240-M40B](#) [NPS-3-BL-T6](#) [1986615-1](#) [2-1589900-8](#) [2199314-1](#)  
[KA8102](#) [9300480317](#) [SBS50BRN#6](#) [29131](#) [29652](#) [1646905-1](#) [1648320-1](#) [1648582-1](#) [1650195-2](#)