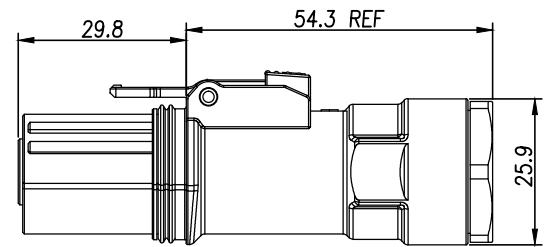
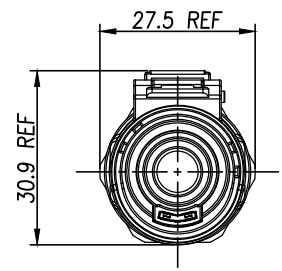
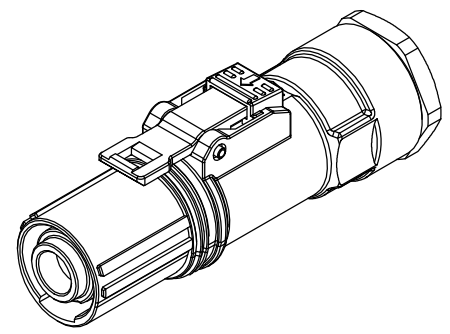
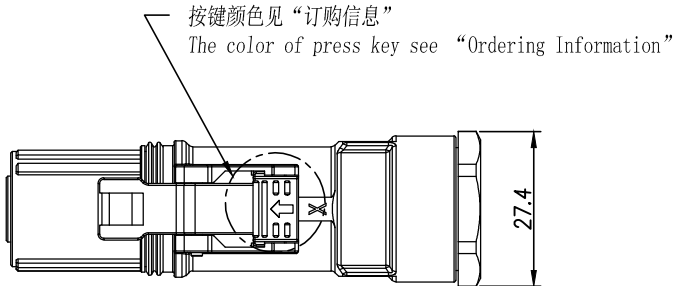


THIS DRAWING IS SUPPLIED FOR INFORMATION ONLY. DESIGN FEATURES, SPECIFICATIONS AND PERFORMANCE DATA SHOWN HEREON ARE THE PROPERTY OF THE AMPHENOL CORPORATION. NO RIGHTS OF REPRODUCTION ARE IMPLIED. ALL DIMENSIONS ARE SUBJECT TO NORMAL MANUFACTURING VARIATIONS.

Customer Drawing

REVISIONS						
REV	ZONE	ECO	DESCRIPTION	DATE	BY	APPR
A	--	--	INITIAL RELEASE	07/14/15	RW	EC



Standard Part List (With HVIL)

P/N
PL18X-201-25
PL18Y-201-25
PL18U-201-25
PL18V-201-25
PL18W-201-25
PL18X-201-35
PL18Y-201-35
PL18U-201-35
PL18V-201-35
PL18W-201-35
PL18X-201-50
PL18Y-201-50
PL18U-201-50
PL18V-201-50
PL18W-201-50

Standard Part List (Without HVIL)

P/N
PL18X-200-25
PL18Y-200-25
PL18U-200-25
PL18V-200-25
PL18W-200-25
PL18X-200-35
PL18Y-200-35
PL18U-200-35
PL18V-200-35
PL18W-200-35
PL18X-200-50
PL18Y-200-50
PL18U-200-50
PL18V-200-50
PL18W-200-50

订购信息 Ordering Information

<p>PL18 <u>X</u> - 20 <u>1</u> - <u>50</u></p>	<p>键位及颜色 Key & Color</p> <p>"X", 橙色 Orange "Y", 黑色 Black "U", 黄色 Yellow "V", 绿色 Green "W", 红色 Red</p>	<p>高压互锁 HVIL</p> <p>0, 不带互锁 No HVIL 1, 带互锁 With HVIL</p>	<p>线缆大小 Cable Size</p> <p>"50"=50mm² "35"=35mm² "25"=25mm²</p>
--	---	--	---

规格参数 (Spec.):

1. 工作温度 Operating temperature: -40° C~+125° C.
2. 额定电流 Current rating (Connector Only): 200 A.
3. 额定电压 Operating voltage: 1000 VDC.
4. 耐电压 Dielectric withstanding voltage: 5000 VDC.
5. 防护等级 Protection class: IP67 & IP2X.
6. 电磁屏蔽 Shielding.
7. 机械寿命 Mating cycle: 500 Min.
8. 带自动二次锁扣 Automatic secondary lock.
9. 带高压互锁 Electrical interlock (HVIL).
10. 配对插座 Mating receptacle: See drawing "PL00-200"

	Amphenol Technical Products International GZ					PART NAME: PowerLok 8mm IPOS Plug Assy	
	第三角投影 THIRD ANGLE PROJECTION	页 面 SHEET	幅 面 SIZE	版 次 REV.	比 例 SCALE		
1 of 1		A3	A				
签 名 SIGNATURE		日 期 DATE		UNLESS OTHERWISE SPECIFIED		DWG NO: PL18-200	
制 图 DRAWN	RW	07/14/15		1) All dimensions are in metric (mm). 2) Tolerances are as follows:		CUST PART #: N/A	
审 核 CHECKED	GX	07/14/15		0 PL DEC ±1.00 1 PL DEC ±0.50 2 PL DEC ±0.20		CUST REV. -	
批 准 APPROVAL	EC	07/14/15		Angles ±1°			

X-ON Electronics

Largest Supplier of Electrical and Electronic Components

Click to view similar products for [Heavy Duty Power Connectors](#) category:

Click to view products by [Amphenol](#) manufacturer:

Other Similar products are found below :

[647757-1](#) [6643411-1](#) [6646058-2](#) [6646137-1](#) [6646138-1](#) [6646608-1](#) [6646786-1](#) [6646940-1](#) [6651091-1](#) [6651525-1](#) [6651529-1](#) [6651788-1](#)
[696475-1](#) [702-32-01109](#) [703-25-02205](#) [73000005059](#) [73000005642](#) [73080254296](#) [73080255059](#) [73080965046](#) [765-15-0080A](#)
[765-16-0080B](#) [765-18-0080D](#) [902-77-02113](#) [PS00/A0620/6300](#) [129-1J](#) [1409400](#) [E6374G1](#) [e6389g2](#) [157-43GW8](#) [MS3117-14AC](#) [1643543-1](#)
[1650540-1](#) [1651811-2](#) [1766260-1](#) [1766282-1](#) [1766966-1](#) [1791340000](#) [NLDFT-3-BL-L-S120-M40A](#) [NLDFT-N-W-L-C240-M40B](#) [1926015-](#)
[1](#) [NLS-N-W-C240-M40B](#) [2-1589900-8](#) [2199314-1](#) [KA8102](#) [9300480317](#) [29131](#) [294-0091-01100](#) [296-0040-01100](#) [1646905-1](#)