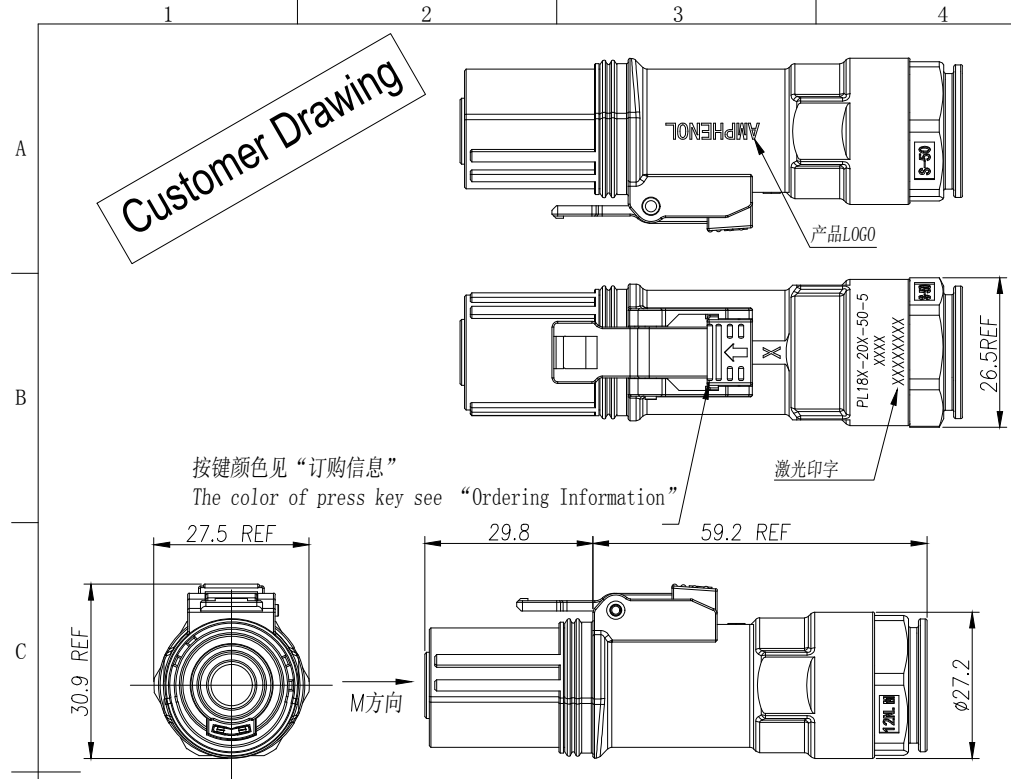


THIS DRAWING IS SUPPLIED FOR INFORMATION ONLY. DESIGN FEATURES, SPECIFICATIONS AND PERFORMANCE DATA SHOWN HEREON ARE THE PROPERTY OF THE AMPHENOL CORPORATION. NO RIGHTS OF REPRODUCTION ARE IMPLIED. ALL DIMENSIONS ARE SUBJECT TO NORMAL MANUFACTURING VARIATIONS.

**Customer Drawing**



按键颜色见“订购信息”  
The color of press key see “Ordering Information”

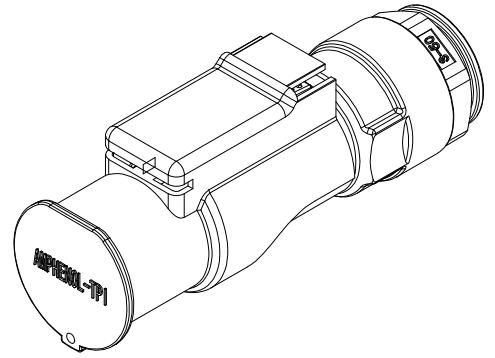
**订购信息 Ordering Information**

PL18 X - 20 1 - 50 - 5		
键位及颜色 Key & Color	高压互锁 HVIL	线缆大小 Cable Size
"X", 橙色 Orange	0, 不带互锁 No HVIL	"50"=50mm <sup>2</sup>
"Y", 黑色 Black	1, 带互锁 With HVIL	
"U", 黄色 Yellow		
"V", 绿色 Green		
"W", 红色 Red		

**规格参数 (Spec.):**

1. 工作温度 Operating temperature: -40° C~+125° C.
2. 额定电流 Current rating (Connector Only):  
25mm<sup>2</sup>: 120 A; 35mm<sup>2</sup>: 150 A; 50mm<sup>2</sup>: 200 A.
3. 额定电压 Operating voltage: 1000 VDC.
4. 耐电压 Dielectric withstanding voltage: 5000 VDC.
5. 防护等级 Protection class: IP67 & IP2X.
6. 电磁屏蔽 Shielding.
7. 机械寿命 Mating cycle: 100 Min.
8. 带自动二次锁扣 Automatic secondary lock.
9. 带高压互锁 Electrical interlock (HVIL).
10. 配对插座 Mating receptacle: See drawing "PL00-200"

REV		ZONE	ECO	REVISIONS		DATE	BY	APPR
DESCRIPTION				DATE		BY	APPR	
1	--	--	--	INITIAL RELEASE		03/23/23	Bond	JL



**Standard Part List (With HVIL)**

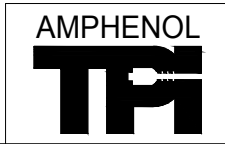
P/N	Model NO
AC-HA026239	PL18X-201-50-5
AC-HA026240	PL18Y-201-50-5
AC-HA026241	PL18U-201-50-5
AC-HA026242	PL18V-201-50-5
AC-HA026243	PL18W-201-50-5

**Standard Part List (Without HVIL)**

P/N	Model NO
AC-HA026244	PL18X-200-50-5
AC-HA026245	PL18Y-200-50-5
AC-HA026246	PL18U-200-50-5
AC-HA026247	PL18V-200-50-5
AC-HA026248	PL18W-200-50-5

**Recommended Cable Size**

Model NO.	Overall-Diameter Nominal (mm)	Dia Primary Insulation (mm)	Conductor Diameter (mm)
PL18(X)-20X-50-5	14.9±0.3	11.50	9.4



**Amphenol Technical Products International GZ**

Key Characteristics Contact Amphenol for Latest Definition	Critical 关键特性 Significant 重要特性	第三角投影 THIRD ANGLE PROJECTION				PART NAME: PowerLok 8mm 1POS Plug Assy	
		签名 SIGNATURE	日期 DATE	UNLESS OTHERWISE SPECIFIED		DWG NO: PL18(X)-20()-50-5	
制图 DRAWN	Bond	03/23/23	1 OF 1	A3	1	CUST PART #: N/A	
审核 CHECKED	批准 APPROVAL		1) All dimensions are in metric(mm). 2) Tolerances are as follows: 0 PL DEC ±1.00 1 PL DEC ±0.50 2 PL DEC ±0.20		CUST REV. -		
				Angles ±1°			

## X-ON Electronics

Largest Supplier of Electrical and Electronic Components

*Click to view similar products for [Heavy Duty Power Connectors](#) category:*

*Click to view products by [Amphenol](#) manufacturer:*

Other Similar products are found below :

[6646058-2](#) [6646137-1](#) [6646138-1](#) [6646940-1](#) [6651091-1](#) [6651525-1](#) [6651529-1](#) [696475-1](#) [702-32-01109](#) [73080255059](#) [73080965046](#)  
[7310205040001](#) [765-16-0080B](#) [765-18-0080D](#) [902-77-02113](#) [PS00/A0620/6300](#) [AN0024023](#) [154-42B7WM250](#) [MS3117-14AC](#) [1643543-1](#)  
[1766966-1](#) [1791340000](#) [NLDFT-3-BL-L-S120-M40A](#) [NLDFT-N-W-L-C240-M40B](#) [1926015-1](#) [NLS-3-BL-C240-M40B](#) [NLS-N-W-C240-](#)  
[M40B](#) [NPS-3-BL-T6](#) [2-1589900-8](#) [9300480317](#) [294-0091-01100](#) [296-0040-01100](#) [1-6609148-0](#) [A32595-0049](#) [1766249-1](#) [19000005132](#)  
[1926016-1](#) [1-966831-8](#) [AN0024202](#) [AN0264023](#) [279-0841-10100A](#) [281-0334-00100A](#) [RMSB4](#) [419-2083-301](#) [LCDX4/0-14B-X](#) [075-8519-](#)  
[001](#) [078238-1613](#) [07.470.3256.0](#) [09000005288](#) [09140240311](#)