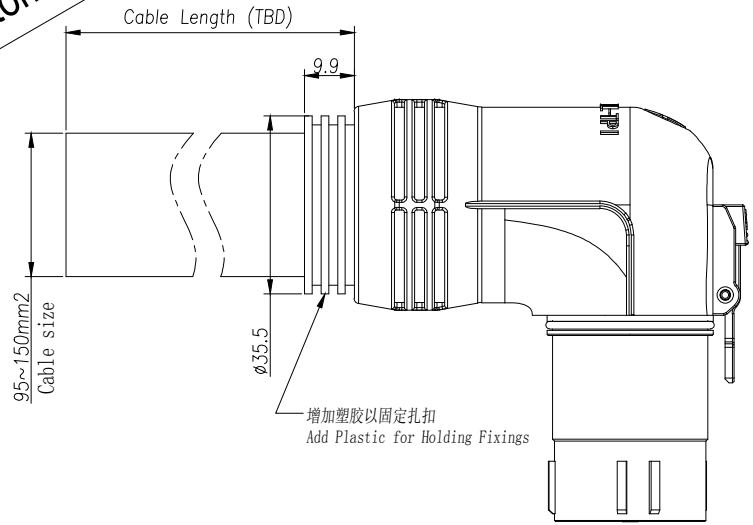


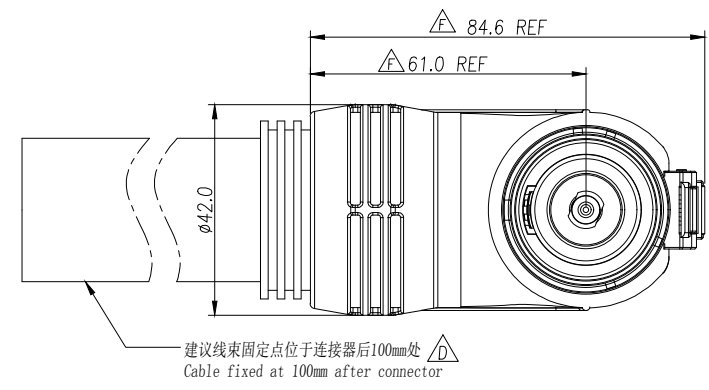
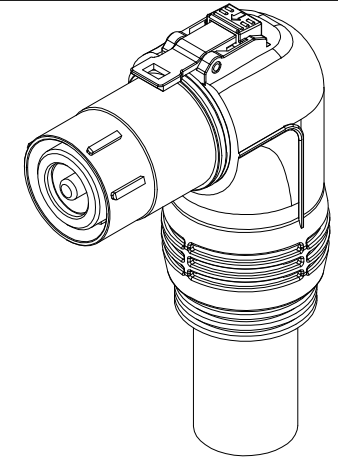
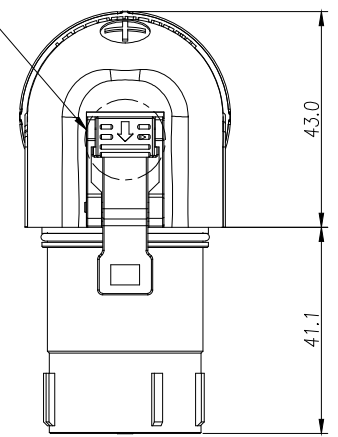
THIS DRAWING IS SUPPLIED FOR INFORMATION ONLY. DESIGN FEATURES, SPECIFICATIONS AND PERFORMANCE DATA SHOWN HEREON ARE THE PROPERTY OF THE AMPHENOL CORPORATION. NO RIGHTS OF REPRODUCTION ARE IMPLIED. ALL DIMENSIONS ARE SUBJECT TO NORMAL MANUFACTURING VARIATIONS.

REV		ZONE		ECO		DESCRIPTION		DATE	BY	APPR
A	--	--	--			Change The Color of Press Key		03/03/15	RW	EC
B	--	--	--			Change Overmold's Look		06/18/15	RW	EC
C	--	--	--			Update Cable specifications		12/12/17	Sam	Julie
D	--	--	--			Add Cable fixed point description		01/15/18	Sam	Julie
E	--	--	--			Update spec.		11/27/18	Fred	JL
F	--	--	--			Update dimensions		03/11/20	Steven	JL

**Customer Drawing**



△A 按键颜色见“订购信息”  
The color of press key see “Ordering Information”



订购信息 Ordering Information

**PL20 X - 50 0 - 150**

键位及颜色 Key & Color	高压互锁 HVIL	线缆大小 Cable Size
"X", 橙色 Orange	0, 不带互锁 No HVIL	"150"=150mm <sup>2</sup>
"Y", 黑色 Black	1, 带互锁 With HVIL	"135"=135mm <sup>2</sup> △
"U", 黄色 Yellow		"120"=120mm <sup>2</sup>
"V", 绿色 Green		"95"=95mm <sup>2</sup>
"W", 红色 Red		"70"=70mm <sup>2</sup> △

规格参数 (Spec.):

1. 工作温度 Operating temperature: -40° C~+125° C.
2. 额定电流 Current rating (Connector Only):  
70mm<sup>2</sup>: 250A; 95mm<sup>2</sup>: 300A; 120mm<sup>2</sup>: 400A; 135mm<sup>2</sup>: 450A; 150mm<sup>2</sup>: 500A. △
3. 额定电压 Operating voltage: 1000 VDC.
4. 耐电压 Dielectric withstanding voltage: 5000 VDC.
5. 防护等级 Protection class: IP67 & IP2X.
6. 电磁屏蔽 Shielding.
7. 机械寿命 Mating cycle: 100 Min. △
8. 带自动二次锁扣 Automatic secondary lock.
9. 带高压互锁 Electrical interlock (HVIL).
10. 对配插座见图纸 Mating receptacle see drawing: PL00-500.

	<b>Amphenol Technical Products International GZ</b>					PART NAME: <b>PowerLok 14-90 1POS Plug HVIL</b>		
	第三角投影 THIRD ANGLE PROJECTION	页面 SHEET 1 OF 1	幅面 SIZE A3	版次 REV. F	比例 SCALE	DWG NO: <b>PL20-500</b>		
签名 SIGNATURE 制图 DRAWN: Steven		日期 DATE 03/11/20		UNLESS OTHERWISE SPECIFIED 1) All dimensions are in metric(mm). 2) Tolerances are as follows: 0 PL DEC ±1.00 1 PL DEC ±0.50 2 PL DEC ±0.20			CUST PART #: <b>N/A</b>	
审核 CHECKED		批准 APPROVAL		Angles ±1°			CUST REV. -	

## X-ON Electronics

Largest Supplier of Electrical and Electronic Components

*Click to view similar products for [Sensor Cables / Actuator Cables](#) category:*

*Click to view products by [Amphenol](#) manufacturer:*

Other Similar products are found below :

[60963](#) [60964](#) [M83513/19-F01CP](#) [703000D02F2002](#) [703001D02F0602](#) [703001D02F300](#) [704000D02F120](#) [773032K02F030](#) [802027107404-1](#)  
[802027213811-1](#) [804001A09M150](#) [805001A09M0502](#) [84914-0235](#) [84914-0237](#) [885030A09M020](#) [8R4J30E03C3003](#) [1200651332](#)  
[1200651713](#) [1200660844](#) [1200660845](#) [1200661173](#) [1200680071](#) [1200720053](#) [1200720081](#) [1200720099](#) [1200720217](#) [1200800231](#)  
[1200860125](#) [1200870123](#) [1200980102](#) [1200650267](#) [1200650298](#) [1200660183](#) [1200660782](#) [1200660849](#) [1200661295](#) [1200661297](#)  
[1200661342](#) [1200661343](#) [1200670080](#) [1200670220](#) [1200680331](#) [1200720252](#) [1200730184](#) [1200860344](#) [1200870359](#) [1200870643](#)  
[1200980008](#) [1200980031](#) [1210502211](#)