

THIS DRAWING IS SUPPLIED FOR INFORMATION ONLY. DESIGN FEATURES, SPECIFICATIONS AND PERFORMANCE DATA SHOWN HEREON ARE THE PROPERTY OF THE AMPHENOL CORPORATION. NO RIGHTS OF REPRODUCTION ARE IMPLIED. ALL DIMENSIONS ARE IN METRIC. ALL DIMENSIONS ARE SUBJECT TO NORMAL MANUFACTURING VARIATIONS.

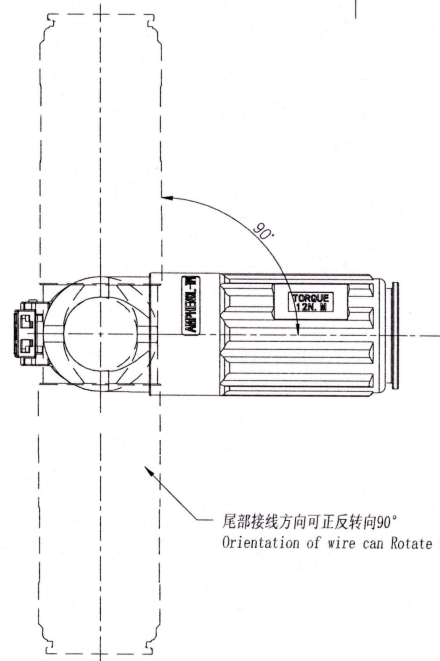
**Customer Drawing**

REVISIONS					
REV	ZONE	ECO	DESCRIPTION	DATE	BY APPR
1	--	--	INITIAL RELEASE	10/25/21	Fred JL

**订购信息 Ordering Information**

PL28 X - 30 1 - 95 - 5

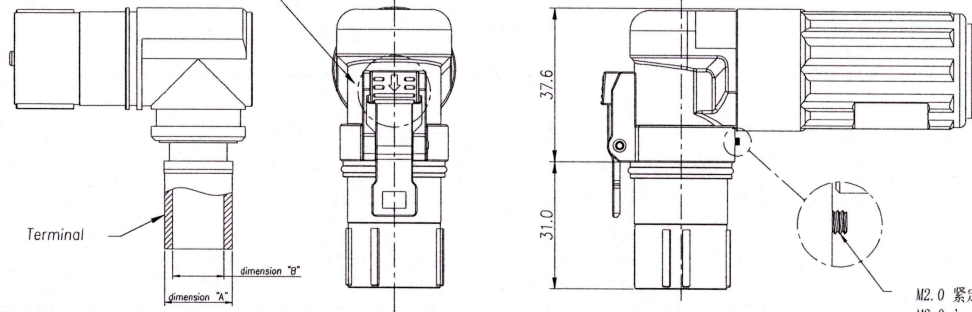
键位及颜色 Key & Color	高压互锁 HVIL	线缆大小 Cable Size
"X", 橙色 Orange	0, 不带互锁 No HVIL	"95"-95mm <sup>2</sup>
"Y", 黑色 Black	1, 带互锁 With HVIL	
"U", 黄色 Yellow		
"V", 绿色 Green		
"W", 红色 Red		
"T", 蓝色 Blue		



尾部接线方向可正反转90°  
Orientation of wire can Rotate 90 Degrees

P/N	Model NO.	overall-diameter nominal (mm)	Dia Primary Insulation (mm)	outside-diameter of terminal (mm): "A"	inside-diameter of terminal (mm): "B"
AC-HA020024	PL28X-301-95-5	19.9±0.4	16.2	17.5±0.05	14.0±0.05
AC-HA020025	PL28Y-301-35-5				
AC-HA020026	PL28U-301-95-5				
AC-HA020027	PL28V-301-95-5				
AC-HA020028	PL28W-301-95-5				
AC-HA020029	PL28T-301-95-5				
AC-HA020030	PL28X-300-95-5				
AC-HA020031	PL28Y-300-35-5				
AC-HA020032	PL28U-300-95-5				
AC-HA020033	PL28V-300-95-5				
AC-HA020034	PL28W-300-95-5				
AC-HA020035	PL28T-300-95-5				

按键颜色见“订购信息”  
The color of press key see "Ordering Information"

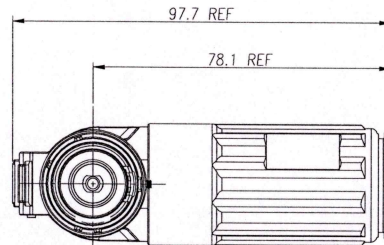


M2.0 锁定螺丝  
M2.0 locking screw



**规格参数 (Spec.):**

- 工作温度 Operating temperature: -40° C~+125° C.
- 额定电流 Current rating(Connector Only): 95mm<sup>2</sup>-300 A.
- 额定电压 Operating voltage:1000 VDC.
- 耐电压 Dielectric withstanding voltage: 5000 VDC.
- 防护等级 Protection class:IP67 & IP2X.
- 电磁屏蔽 Shielding.
- 机械寿命 Mating cycle:100 Min.
- 带自动二次锁扣 Automatic secondary lock.
- 尾部接线方向可正反转90° Rotate function of wire.
- 带高压互锁 Electrical interlock (HVIL).
- 配对插座 Mating receptacle : See drawing "PL00-300"
- 紧固螺丝锁紧扭矩 Tightening Torque of Locking Screw: 0.17±0.01 Nm



<b>AMPHENOL TPI</b>		<b>Amphenol Technical Products International GZ</b>			
第三角投影 THIRD ANGLE PROJECTION	页面 SHEET	幅面 SIZE	版次 REV.	比例 SCALE	PART NAME: PwrLok 10mm-90 1POS Plug Assy
☉	1 of 1	A3	1		DWG NO: PL28()-30()-95-5
签名 SIGNATURE Fred		日期 DATE 10/25/21		UNLESS OTHERWISE SPECIFIED 1) All dimensions are in metric(mm). 2) Tolerances are as follows: 1 PL DEC ±1.00 2 PL DEC ±0.50 2 PL DEC ±0.20	
制图 DRAWN	审核 CHECKED	批准 APPROVAL	CUST PART #: N/A		
			CUST REV. -		

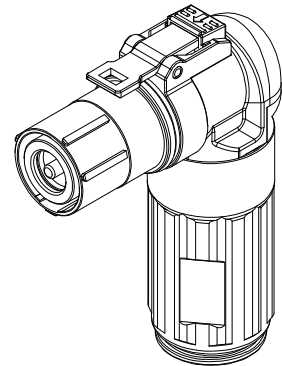
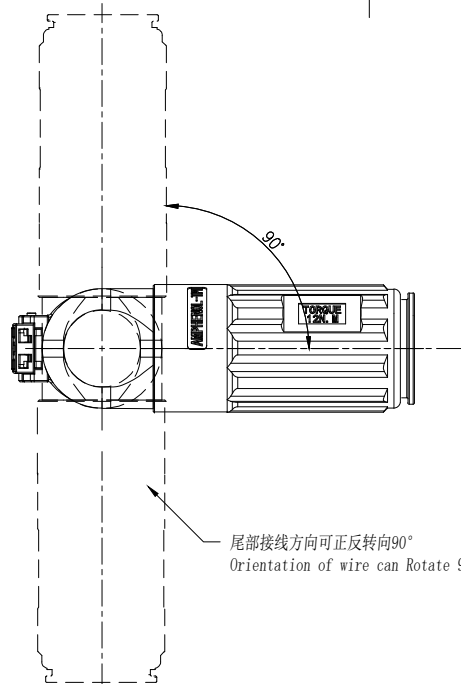
THIS DRAWING IS SUPPLIED FOR INFORMATION ONLY. DESIGN FEATURES, SPECIFICATIONS AND PERFORMANCE DATA SHOWN HEREON ARE THE PROPERTY OF THE AMPHENOL CORPORATION. NO RIGHTS OF REPRODUCTION ARE IMPLIED. ALL DIMENSIONS ARE SUBJECT TO NORMAL MANUFACTURING VARIATIONS.

REV. ZONE			ECO			REVISIONS		DATE		BY		APPR	
REV	ZONE	ECO	DESCRIPTION			DATE		BY		APPR			
1	--	--	INITIAL RELEASE			10/25/21		Fred		JL			

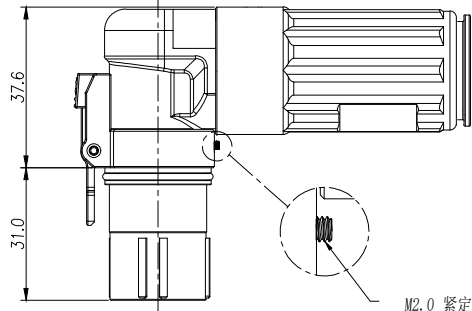
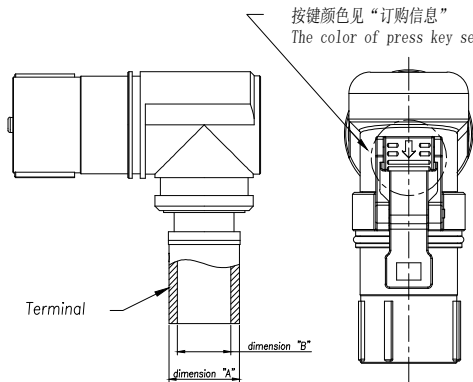
**Customer Drawing**

**订购信息 Ordering Information**

PL28 X - 30 1 - 95 - 5		
键位及颜色 Key & Color	高压互锁 HVIL	线缆大小 Cable Size
"X", 橙色 Orange	0, 不带互锁 No HVIL	"95"=95mm <sup>2</sup>
"Y", 黑色 Black	1, 带互锁 With HVIL	
"U", 黄色 Yellow		
"V", 绿色 Green		
"W", 红色 Red		
"I", 蓝色 Blue		

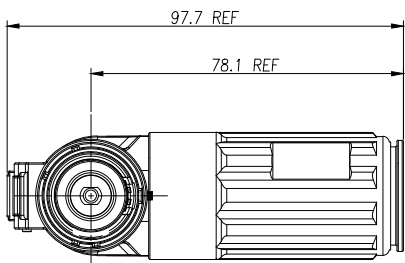


P/N	Model NO.	overall-diameter nominal (mm)	Dia Primary Insuulation (mm)	outside-diameter of terminal (mm): "A"	inside-diameter of terminal (mm): "B"
AC-HA020024	PL28X-301-95-5	19.9±0.4	16.2	17.5±0.05	14.0±0.05
AC-HA020025	PL28Y-301-35-5				
AC-HA020026	PL28U-301-95-5				
AC-HA020027	PL28V-301-95-5				
AC-HA020028	PL28W-301-95-5				
AC-HA020029	PL28T-301-95-5				
AC-HA020030	PL28X-300-95-5				
AC-HA020031	PL28Y-300-35-5				
AC-HA020032	PL28U-300-95-5				
AC-HA020033	PL28V-300-95-5				
AC-HA020034	PL28W-300-95-5				
AC-HA020035	PL28T-300-95-5				



**规格参数 (Spec.):**

1. 工作温度 Operating temperature: -40° C~+125° C.
2. 额定电流 Current rating (Connector Only): 95mm<sup>2</sup>-300 A.
3. 额定电压 Operating voltage: 1000 VDC.
4. 耐电压 Dielectric withstanding voltage: 5000 VDC.
5. 防护等级 Protection class: IP67 & IP2X.
6. 电磁屏蔽 Shielding.
7. 机械寿命 Mating cycle: 100 Min.
8. 带自动二次锁扣 Automatic secondary lock.
9. 尾部接线方向可正反转向90° Rotate function of wire.
10. 带高压互锁 Electrical interlock (HVIL).
11. 配对插座 Mating receptacle: See drawing "PL00-300"
12. 紧定螺丝锁紧扭矩 Tightening Torque of Locking Screw: 0.17±0.01 Nm



	<b>Amphenol Technical Products International GZ</b>					PART NAME: PwrLok 10mm-90 1POS Plug Assy	
	第三角投影 THIRD ANGLE PROJECTION	页面 SHEET 1 OF 1	幅面 SIZE A3	版次 REV. 1	比例 SCALE	DWG NO: PL28()-30()-95-5	
签名 SIGNATURE: Fred		日期 DATE: 10/25/21		UNLESS OTHERWISE SPECIFIED 1) All dimensions are in metric (mm). 2) Tolerances are as follows: 0 PL DEC ±1.00 1 PL DEC ±0.50 2 PL DEC ±0.20		CUST PART #: N/A	
制图 DRAWN: Fred		审核 CHECKED:		批准 APPROVAL:		CUST REV.: -	

## X-ON Electronics

Largest Supplier of Electrical and Electronic Components

*Click to view similar products for [Heavy Duty Power Connectors](#) category:*

*Click to view products by [Amphenol](#) manufacturer:*

Other Similar products are found below :

[6646058-2](#) [6646137-1](#) [6646138-1](#) [6646940-1](#) [6651091-1](#) [6651525-1](#) [6651529-1](#) [696475-1](#) [702-32-01109](#) [73080255059](#) [73080965046](#)  
[7310205040001](#) [765-16-0080B](#) [765-18-0080D](#) [902-77-02113](#) [PS00/A0620/6300](#) [AN0024023](#) [154-42B7WM250](#) [MS3117-14AC](#) [1643543-1](#)  
[1766966-1](#) [1791340000](#) [NLDFT-3-BL-L-S120-M40A](#) [NLDFT-N-W-L-C240-M40B](#) [1926015-1](#) [NLS-3-BL-C240-M40B](#) [NLS-N-W-C240-](#)  
[M40B](#) [NPS-3-BL-T6](#) [2-1589900-8](#) [9300480317](#) [294-0091-01100](#) [296-0040-01100](#) [1-6609148-0](#) [A32595-0049](#) [1766249-1](#) [19000005132](#)  
[1926016-1](#) [1-966831-8](#) [AN0024202](#) [AN0264023](#) [279-0841-10100A](#) [281-0334-00100A](#) [RMSB4](#) [419-2083-301](#) [LCDX4/0-14B-X](#) [075-8519-](#)  
[001](#) [078238-1613](#) [07.470.3256.0](#) [09000005288](#) [09140240311](#)