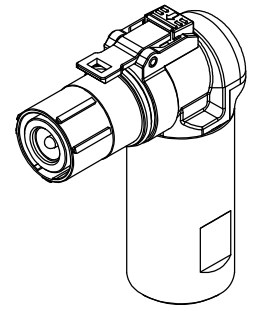


THIS DRAWING IS SUPPLIED FOR INFORMATION ONLY. DESIGN FEATURES, SPECIFICATIONS AND PERFORMANCE DATA SHOWN HEREON ARE THE PROPERTY OF THE AMPHENOL CORPORATION. NO RIGHTS OF REPRODUCTION ARE IMPLIED. ALL DIMENSIONS ARE SUBJECT TO NORMAL MANUFACTURING VARIATIONS.

Customer Drawing

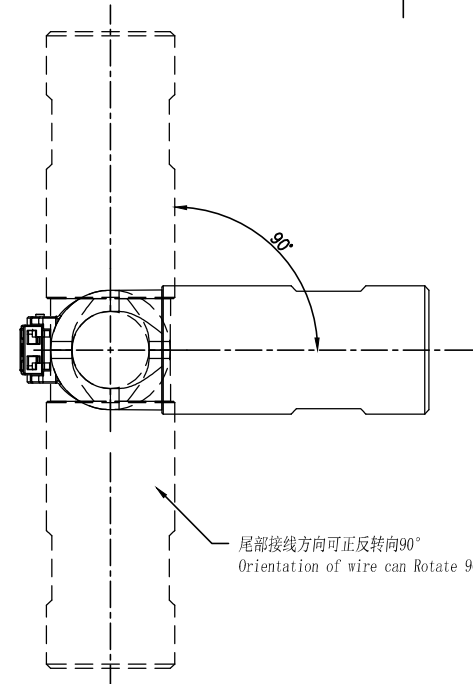
REVISIONS						
REV	ZONE	ECO	DESCRIPTION	DATE	BY	APPR
A	--	--	Add P/N List	06/20/14	RW	EC
B	--	--	Add Touch Proof Pin	10/30/14	RW	EC
C	--	--	Increase Length, Cancel Touch Proof Pin	01/30/15	RW	EC
D	--	--	Change The Color of Press Key, Add New P/N	03/03/15	RW	EC
E	--	--	Add Touch Proof Pin & New P/N, Change DWG NO.	04/28/15	RW	EC



订购信息 Ordering Information

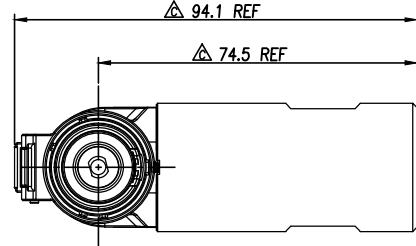
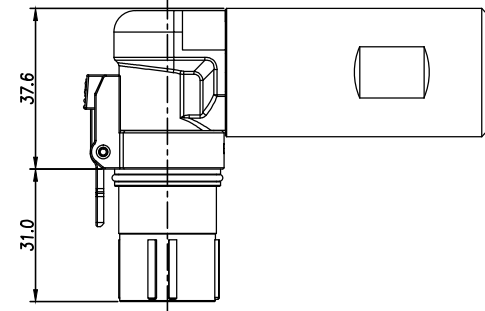
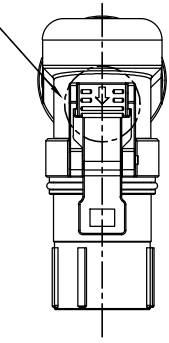
PL28 X - 30 1 - 70

键位及颜色 Key & Color	高压互锁 HVIL	线缆大小 Cable Size
"X", 橙色 Orange	0, 不带互锁 No HVIL	"70"=70mm ²
"Y", 黑色 Black	1, 带互锁 With HVIL	"50"=50mm ²
"U", 黄色 Yellow		"35"=35mm ²
"V", 绿色 Green		
"W", 红色 Red		
"T", 蓝色 Blue		



尾部接线方向可正反转向90°
Orientation of wire can Rotate 90 Degrees

按键颜色见“订购信息”
The color of press key see "Ordering Information"



P/N	Model NO.	Accepted Wire OD
AC-HA000845	PL28X-301-35	14.5±0.5
AC-HA000846	PL28Y-301-35	
AC-HA000847	PL28U-301-35	
AC-HA000848	PL28V-301-35	
AC-HA000849	PL28W-301-35	
AC-HA001289	PL28T-301-35	17.0±0.5
AC-HA000850	PL28X-301-50	
AC-HA000851	PL28Y-301-50	
AC-HA000852	PL28U-301-50	
AC-HA000853	PL28V-301-50	
AC-HA000854	PL28W-301-50	19.5±0.5
AC-HA001290	PL28T-301-50	
AC-HA000855	PL28X-301-70	
AC-HA000856	PL28Y-301-70	
AC-HA000857	PL28U-301-70	
AC-HA000858	PL28V-301-70	19.5±0.5
AC-HA000859	PL28W-301-70	
AC-HA001291	PL28T-301-70	

P/N	Model NO.	Accepted Wire OD
AC-HA000860	PL28X-300-35	14.5±0.5
AC-HA000861	PL28Y-300-35	
AC-HA000862	PL28U-300-35	
AC-HA000863	PL28V-300-35	
AC-HA000864	PL28W-300-35	
AC-HA001292	PL28T-300-35	17.0±0.5
AC-HA000865	PL28X-300-50	
AC-HA000866	PL28Y-300-50	
AC-HA000867	PL28U-300-50	
AC-HA000868	PL28V-300-50	
AC-HA000869	PL28W-300-50	19.5±0.5
AC-HA003528	PL28T-300-50	
AC-HA000870	PL28X-300-70	
AC-HA000871	PL28Y-300-70	
AC-HA000872	PL28U-300-70	
AC-HA000873	PL28V-300-70	19.5±0.5
AC-HA000874	PL28W-300-70	
AC-HA003529	PL28T-300-70	

规格参数 (Spec.):

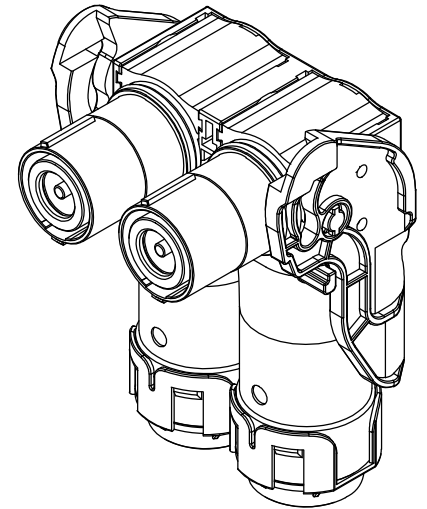
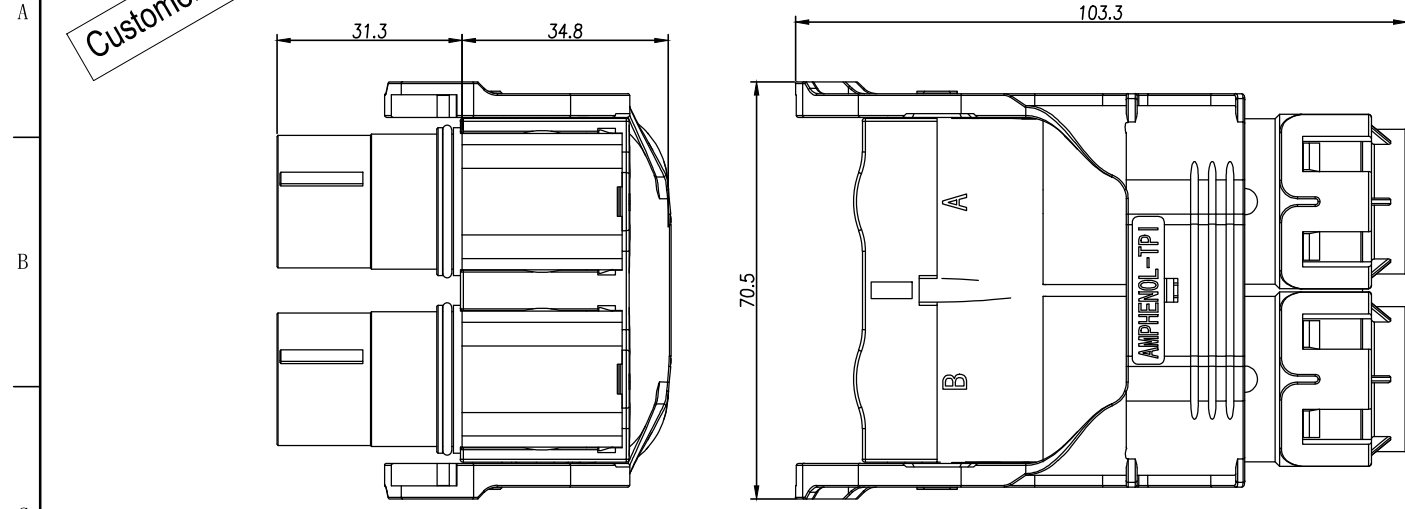
- 工作温度 Operating temperature: -40° C~+125° C.
- 额定电流 Current rating(Connector Only): 300 A.
- 额定电压 Operating voltage: 1000 VDC.
- 耐电压 Dielectric withstanding voltage: 5000 VDC.
- 防护等级 Protection class: IP67 & IP2X.
- 电磁屏蔽 Shielding.
- 机械寿命 Mating cycle: 50 Min.
- 带自动二次锁扣 Automatic secondary lock.
- 尾部接线方向可正反转向90° Rotate function of wire.
- 带高压互锁 Electrical interlock (HVIL).
- 配对插座 Mating receptacle: See drawing "PL00-300"

	Amphenol Technical Products International GZ					PART NAME:	
	第三角投影 THIRD ANGLE PROJECTION	页号 SHEET	幅面 SIZE	版次 REV.	比例 SCALE	PwrLok 10mm-90 1POS Plug Assy	
签名 SIGNATURE		日期 DATE		UNLESS OTHERWISE SPECIFIED		DWG NO:	
制图 DRAWN	RW	12/04/13		1) All dimensions are in metric(mm). 2) Tolerances are as follows:		PL28-300	
审核 CHECKED	GX	12/04/13		0 PL DEC ±1.00 1 PL DEC ±0.50 2 PL DEC ±0.20		CUST PART #:	
批准 APPROVAL	EC	12/04/13		Angles ±1°		N/A	
						CUST REV.	
						-	

THIS DRAWING IS SUPPLIED FOR INFORMATION ONLY. DESIGN FEATURES, SPECIFICATIONS AND PERFORMANCE DATA SHOWN HEREON ARE THE PROPERTY OF THE AMPHENOL CORPORATION. NO RIGHTS OF REPRODUCTION ARE IMPLIED. ALL DIMENSIONS ARE SUBJECT TO NORMAL MANUFACTURING VARIATIONS.

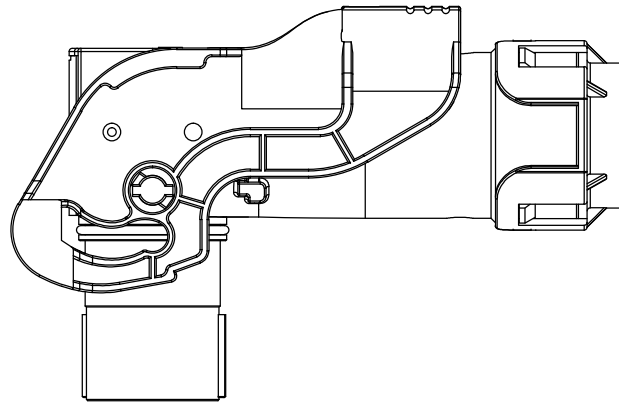
Customer Drawing

REVISIONS						
REV	ZONE	ECO	DESCRIPTION	DATE	BY	APPR
A	--	--	Updated	07/04/14	RW	EC
B	--	--	Add Touch Proof Pin	04/28/15	RW	EC



订购信息 Ordering Information

PL28 2 X - 30 1 - 70		
键位及颜色 Key	高压互锁 HVIL	线缆大小 Cable Size
"X" Key	0, 不带互锁 No HVIL	"70"=70mm ²
"Y" Key	1, 带互锁 With HVIL	"50"=50mm ²
		"35"=35mm ²



Standard Part List (With HVIL)

P/N	Model NO.	Polarization
AC-HA000781	PL282X-301-35	X
AC-HA000782	PL282Y-301-35	Y
AC-HA000783	PL282X-301-50	X
AC-HA000784	PL282Y-301-50	Y
AC-HA000785	PL282X-301-70	X
AC-HA000786	PL282Y-301-70	Y

Standard Part List (Without HVIL)

P/N	Model NO.	Polarization
AC-HA000793	PL282X-300-35	X
AC-HA000794	PL282Y-300-35	Y
AC-HA000795	PL282X-300-50	X
AC-HA000796	PL282Y-300-50	Y
AC-HA000797	PL282X-300-70	X
AC-HA000798	PL282Y-300-70	Y

规格参数 (Spec.):

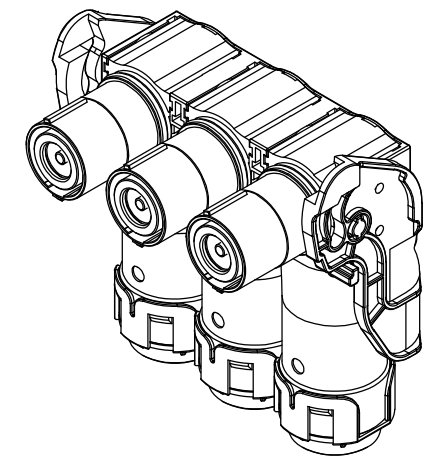
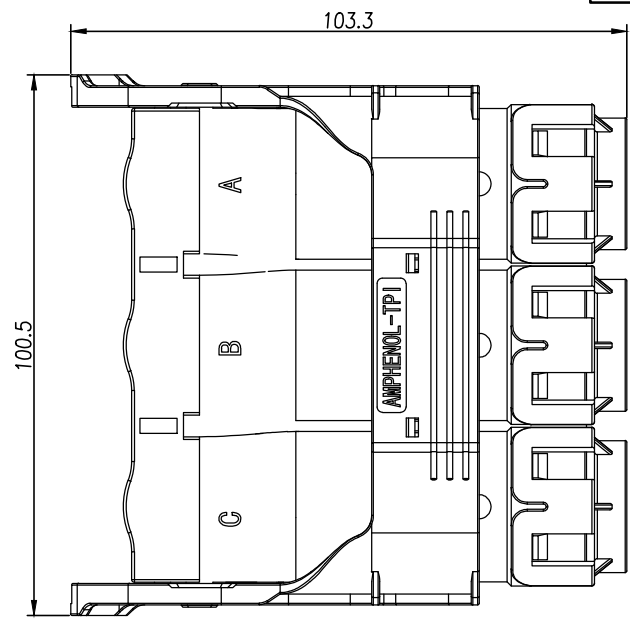
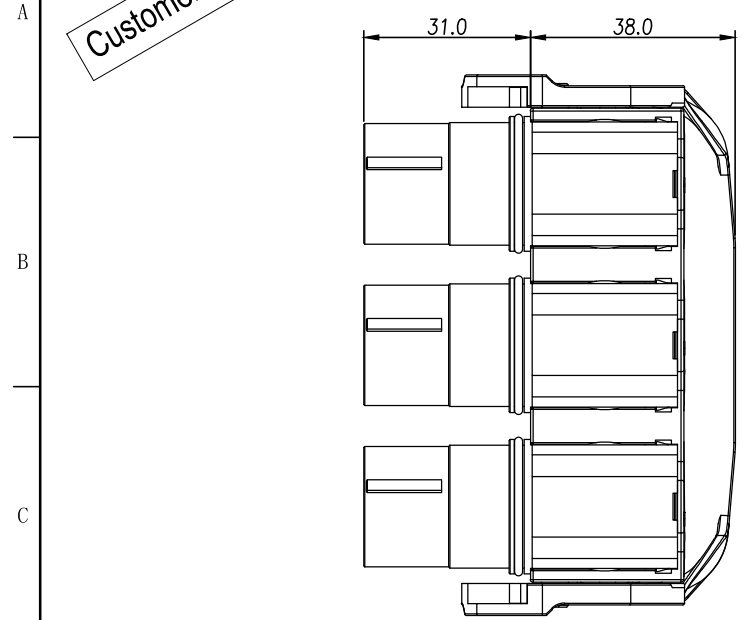
1. 工作温度 Operating temperature: -40° C~+125° C.
2. 额定电流 Current rating(Connector Only): 300 A.
3. 额定电压 Operating voltage:1000 VDC.
4. 耐电压 Dielectric withstanding voltage: 5000 VDC.
5. 防护等级 Protection class:IP67 & IP2X.
6. 电磁屏蔽 Shielding.
7. 机械寿命 Mating cycle:50 Min.
8. 带自动二次锁扣 Automatic secondary lock.
9. 带高压互锁 Electrical interlock (HVIL).

	Amphenol Technical Products International GZ					
	第三角投影 THIRD ANGLE PROJECTION	页面 SHEET	幅面 SIZE	版次 REV.	比例 SCALE	PART NAME: PwrLok 10mm-90 2POS Plug Conn
		1 of 1	A3	B		DWG NO: PL282-300
签名 SIGNATURE	日期 DATE	UNLESS OTHERWISE SPECIFIED			CUST PART #:	
制图 DRAWN	RW	02/28/14	1) All dimensions are in metric(mm).			
审核 CHECKED	GX	02/28/14	2) Tolerances are as follows:			
批准 APPROVAL	EC	02/28/14	0 PL DEC ±1.00			
			1 PL DEC ±0.50			
			2 PL DEC ±0.20			
			Angles ±1°			
						CUST REV.:
						-

THIS DRAWING IS SUPPLIED FOR INFORMATION ONLY. DESIGN FEATURES, SPECIFICATIONS AND PERFORMANCE DATA SHOWN HEREON ARE THE PROPERTY OF THE AMPHENOL CORPORATION. NO RIGHTS OF REPRODUCTION ARE IMPLIED. ALL DIMENSIONS ARE SUBJECT TO NORMAL MANUFACTURING VARIATIONS.

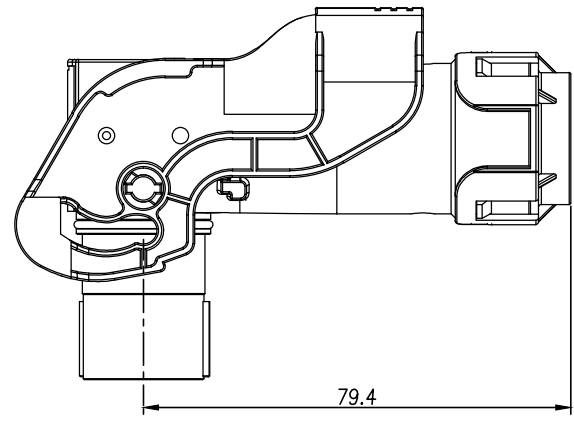
Customer Drawing

REVISIONS						
REV	ZONE	ECO	DESCRIPTION	DATE	BY	APPR
A	--	--	INITIAL RELEASE	03/13/14	RW	EC
B	--	--	Updated	07/04/14	RW	EC
C	--	--	Add Touch Proof Pin	05/05/15	RW	EC



订购信息 Ordering Information

PL28 3 X - 30 1 - 70		
键位及颜色 Key	高压互锁 HVIL	线缆大小 Cable Size
"X" Key	0, 不带互锁 No HVIL	"70"=70mm ²
"Y" Key	1, 带互锁 With HVIL	"50"=50mm ²
		"35"=35mm ²



Standard Part List (With HVIL)

P/N	Model NO.	Polarization
AC-HA001120	PL283X-301-35	X
AC-HA001121	PL283Y-301-35	Y
AC-HA001122	PL283X-301-50	X
AC-HA001123	PL283Y-301-50	Y
AC-HA001124	PL283X-301-70	X
AC-HA001125	PL283Y-301-70	Y

Standard Part List (With Out HVIL)

P/N	Model NO.	Polarization
AC-HA001126	PL283X-300-35	X
AC-HA001127	PL283Y-300-35	Y
AC-HA001128	PL283X-300-50	X
AC-HA001129	PL283Y-300-50	Y
AC-HA001130	PL283X-300-70	X
AC-HA001131	PL283Y-300-70	Y

规格参数 (Spec.):

1. 工作温度 Operating temperature: -40° C~+125° C.
2. 额定电流 Current rating(Connector Only): 300 A.
3. 额定电压 Operating voltage:1000 VDC.
4. 耐电压 Dielectric withstanding voltage: 5000 VDC.
5. 防护等级 Protection class:IP67 & IP2X.
6. 电磁屏蔽 Shielding.
7. 机械寿命 Mating cycle:50 Min.
8. 带自动二次锁扣 Automatic secondary lock.
9. 带高压互锁 Electrical interlock (HVIL).

	Amphenol Technical Products International GZ				
	第三角投影 THIRD ANGLE PROJECTION	页面 SHEET	幅面 SIZE	版次 REV.	比例 SCALE
签名 SIGNATURE	日期 DATE	UNLESS OTHERWISE SPECIFIED			DWG NO: PL283-300
制图 DRAWN	RW	1 of 1	A3	C	CUST PART #: N/A
审核 CHECKED	GX	1) All dimensions are in metric(mm). 2) Tolerances are as follows: 0 PL DEC ±1.00 1 PL DEC ±0.50 2 PL DEC ±0.20			CUST REV. -
批准 APPROVAL	EC	Angles ±1°			

X-ON Electronics

Largest Supplier of Electrical and Electronic Components

Click to view similar products for [Heavy Duty Power Connectors](#) category:

Click to view products by [Amphenol](#) manufacturer:

Other Similar products are found below :

[647757-1](#) [6643411-1](#) [6646058-2](#) [6646137-1](#) [6646138-1](#) [6646608-1](#) [6646786-1](#) [6646940-1](#) [6651091-1](#) [6651525-1](#) [6651529-1](#) [6651788-1](#)
[696475-1](#) [702-32-01109](#) [703-25-02205](#) [73000005059](#) [73000005642](#) [73080254296](#) [73080255059](#) [73080965046](#) [765-15-0080A](#)
[765-16-0080B](#) [765-18-0080D](#) [902-77-02113](#) [PS00/A0620/6300](#) [129-1J](#) [1409400](#) [E6374G1](#) [e6389g2](#) [157-43GW8](#) [MS3117-14AC](#) [1643543-1](#)
[1650540-1](#) [1651811-2](#) [1766260-1](#) [1766282-1](#) [1766966-1](#) [1791340000](#) [NLDFT-3-BL-L-S120-M40A](#) [NLDFT-N-W-L-C240-M40B](#) [1926015-](#)
[1](#) [NLS-N-W-C240-M40B](#) [2-1589900-8](#) [2199314-1](#) [KA8102](#) [9300480317](#) [29131](#) [294-0091-01100](#) [296-0040-01100](#) [1646905-1](#)