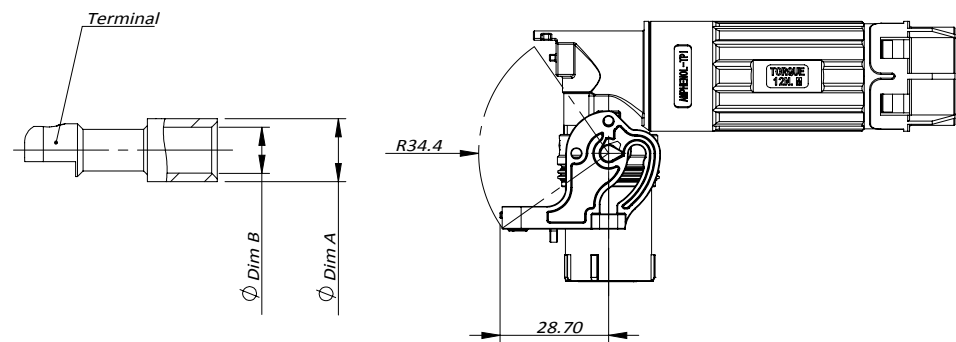
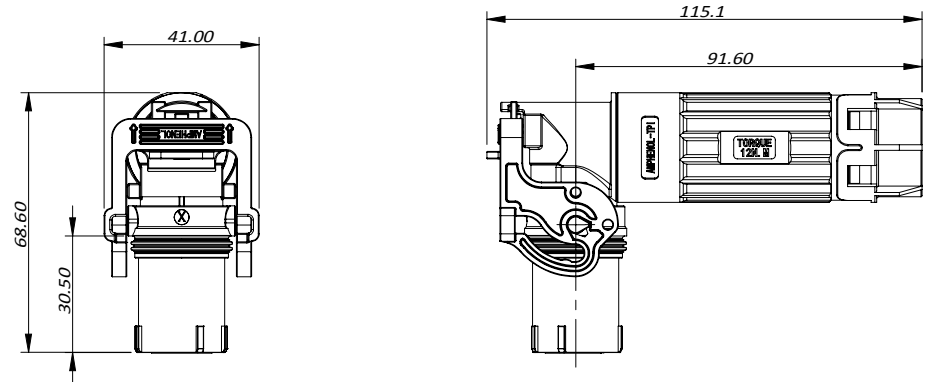
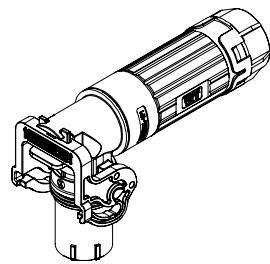


THIS DRAWING IS SUPPLIED FOR INFORMATION ONLY. DESIGN FEATURES, SPECIFICATIONS AND PERFORMANCE DATA SHOWN HEREON ARE THE PROPERTY OF THE AMPHENOL CORPORATION. NO RIGHTS OF REPRODUCTION ARE IMPLIED. ALL DIMENSIONS ARE SUBJECT TO NORMAL MANUFACTURING VARIATIONS.

CUSTOMER DRAWING



REVISIONS					
REV#	ECN#	REVISION ACTION	REV.BY:	APPR.BY:	DATE
A	--	INITIAL RELEASE	Jack	James	03/09/2020
B	--	增加表格信息	Star	James	10/29/2020

订购信息 Ordering Information

PL28 **X** - 30 **1** - 70 - 2 - 5

Key and Color "X", Orange "Y", Black "U", Yellow "V", Green "W", Red "T", Blue	HVIL "0", NO HVIL "1", With HVIL	Cable size: "70"=70mm ² "50"=50mm ²	Cable Type: "-5", Huber+Suhner
---	---	--	--

- 规格参数(Spec.):
- 工作温度 Operating temperature: -40°C ~ +125°C.
 - 带高压互锁 Electrical interlock (HVIL).
 - 额定电流 Current rating:
Power: 50mm², 200A; 70mm², 250A; HVIL: 5A.
 - 额定电压 Operating voltage:
Power: 1000 VDC; Signal: 60 VDC.
 - 耐电压 Dielectric withstanding voltage:
A. 与插座对插后, Pin与铁壳之间
When mated, between pin and metal shell: 5000 VDC.
B. 与插座对插后, Pin与HVIL之间
When mated, between pin and HVIL: 5000 VDC.
C. 与插座对插后, HVIL与铁壳之间
When mated, between HVIL and metal shell: 500 VDC.
D. 与插座对插前, 两个HVIL端子之间耐压
Before mating, between two HVIL terminals: 500 VDC.
 - 防护等级 Protection class: Mated-IP6k9k & IP67, unmated-IP2X.
 - 电磁屏蔽 360° full Shielding.
 - 机械寿命 Mating cycle: 100 Min.
 - 带CPA摇杆系统 Latch system with CPA.
 - 绝缘材料满足UL94 V-0 Inner insulation material satisfy UL94V-0.
 - 镀灰锌/镍合金, 符合RoHS, 满足500H中性盐雾实验
Gray Zinc/Nickel(ZnNi) Plating. RoHS compliant, Rated at 500hours salt spray.

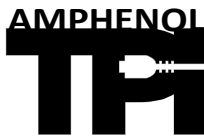
Standard Part List:

Model No.	H+S Part No.	Dia. Primary Insulation(mm)	Dia. of Screen max. (mm)	Overall-Dia. Nominal(mm)	Outside-Dia. of terminal(mm): "A"	Inside-Dia. of terminal(mm): "B"
PL28(X)-30X-70-2-5	84100298	13.7±0.3	14.6	17.0±0.3	16.7±0.3	12.2±0.3
PL28(X)-30X-50-2-5	84096257	11.5±0.3	12.6	14.9±0.3	14.0±0.3	10.0±0.3

	Amphenol Technical Products International Asia.					PART NAME: PL10mm G2 1POS Right Angle Plug
	第三角投影 THIRD ANGLE PROJECTION	页面 SHEET	幅面 SIZE	版次 REV.	比例 SCALE	
签名 SIGNATURE	日期 DATE	UNLESS OTHERWISE SPECIFIED 1) All dimensions are in metric(mm). 2) Tolerances are as follows: 1.PL DEC ± 1.00 2.PL DEC ± 0.50 3.PL DEC ± 0.20			CUST PART #	
制图 DRAWN	Star	10/29/2020	Angles ±1°			CUST REV.
审核 CHECKED						
批准 APPROVAL						

THIS DRAWING IS SUPPLIED FOR INFORMATION ONLY. DESIGN FEATURES, SPECIFICATIONS AND PERFORMANCE DATA SHOWN HEREON ARE THE PROPERTY OF THE AMPHENOL CORPORATION. NO RIGHTS OF REPRODUCTION ARE IMPLIED. ALL DIMENSIONS ARE SUBJECT TO NORMAL MANUFACTURING VARIATIONS.

1	2	3	4	5	6	7	8
型号	AC P/N	REVISIONS					
PL28X-300-50-2-5	AC-HA010890	REV#	ECN#	REVISION ACTION	REV.BY:	APPR.BY:	DATE
PL28Y-300-50-2-5	AC-HA010891	A	--	INITIAL RELEASE	Jack	James	03/09/2020
PL28U-300-50-2-5	AC-HA010892	B	--	增加表格信息	Star	James	10/29/2020
PL28V-300-50-2-5	AC-HA010893						
PL28W-300-50-2-5	AC-HA010894						
PL28T-300-50-2-5	AC-HA010895						
PL28X-300-70-2-5	AC-HA010896						
PL28Y-300-70-2-5	AC-HA010897						
PL28U-300-70-2-5	AC-HA010898						
PL28V-300-70-2-5	AC-HA010899						
PL28W-300-70-2-5	AC-HA010900						
PL28T-300-70-2-5	AC-HA010901						
PL28X-301-50-2-5	AC-HA010914						
PL28Y-301-50-2-5	AC-HA010915						
PL28U-301-50-2-5	AC-HA010916						
PL28V-301-50-2-5	AC-HA010917						
PL28W-301-50-2-5	AC-HA010918						
PL28T-301-50-2-5	AC-HA010919						
PL28X-301-70-2-5	AC-HA010920						
PL28Y-301-70-2-5	AC-HA010921						
PL28U-301-70-2-5	AC-HA010922						
PL28V-301-70-2-5	AC-HA010923						
PL28W-301-70-2-5	AC-HA010924						
PL28T-301-70-2-5	AC-HA010925						

		Amphenol Technical Products International Asia.					PART NAME: PL10mm G2 1POS Right Angle Plug	
		第三角投影 THIRD ANGLE PROJECTION	页面 SHEET	幅面 SIZE	版次 REV.	比例 SCALE		
签名 SIGNATURE		日期 DATE	UNLESS OTHERWISE SPECIFIED 1) All dimensions are in metric(mm). 2) Tolerances are as follows: 1.PL DEC ± 1.00 2.PL DEC ± 0.50 3.PL DEC ± 0.20			DWG NO: PL28X-30X-XX-2-5		
制图 DRAWN	审核 CHECKED	批准 APPROVAL	Angles ±1°			CUST PART #	CUST REV.	

X-ON Electronics

Largest Supplier of Electrical and Electronic Components

Click to view similar products for [Heavy Duty Power Connectors](#) category:

Click to view products by [Amphenol](#) manufacturer:

Other Similar products are found below :

[6646058-2](#) [6646137-1](#) [6646138-1](#) [6646940-1](#) [6651091-1](#) [6651525-1](#) [6651529-1](#) [696475-1](#) [702-32-01109](#) [73080255059](#) [73080965046](#)
[7310205040001](#) [765-16-0080B](#) [765-18-0080D](#) [902-77-02113](#) [PS00/A0620/6300](#) [AN0024023](#) [154-42B7WM250](#) [MS3117-14AC](#) [1643543-1](#)
[1766966-1](#) [1791340000](#) [NLDFT-3-BL-L-S120-M40A](#) [NLDFT-N-W-L-C240-M40B](#) [1926015-1](#) [NLS-3-BL-C240-M40B](#) [NLS-N-W-C240-](#)
[M40B](#) [NPS-3-BL-T6](#) [2-1589900-8](#) [9300480317](#) [294-0091-01100](#) [296-0040-01100](#) [1-6609148-0](#) [A32595-0049](#) [1766249-1](#) [19000005132](#)
[1926016-1](#) [1-966831-8](#) [AN0024202](#) [AN0264023](#) [279-0841-10100A](#) [281-0334-00100A](#) [RMSB4](#) [419-2083-301](#) [LCDX4/0-14B-X](#) [075-8519-](#)
[001](#) [078238-1613](#) [07.470.3256.0](#) [09000005288](#) [09140240311](#)