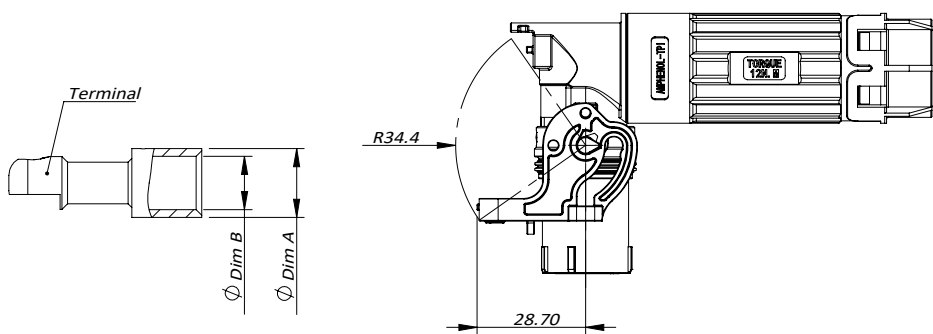
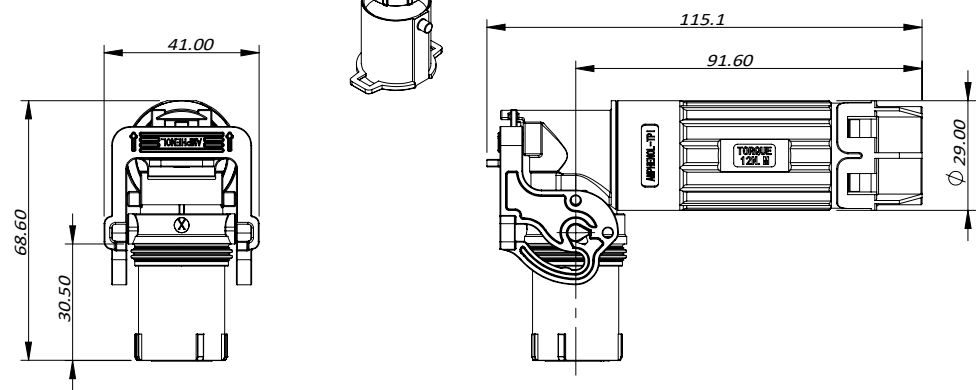
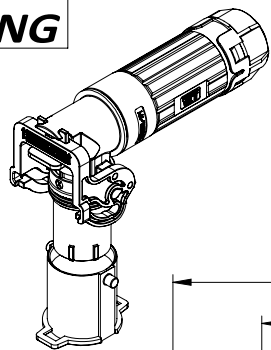


THIS DRAWING IS SUPPLIED FOR INFORMATION ONLY. DESIGN FEATURES, SPECIFICATIONS AND PERFORMANCE DATA SHOWN HEREON ARE THE PROPERTY OF THE AMPHENOL CORPORATION. NO RIGHTS OF REPRODUCTION ARE IMPLIED. ALL DIMENSIONS ARE SUBJECT TO NORMAL MANUFACTURING VARIATIONS.

CUSTOMER DRAWING



REVISIONS					
REV#	ECN#	REVISION ACTION	REV.BY:	APPR.BY:	DATE
01	--	INITIAL RELEASE	Star	James	09/04/2020
02	--	Add Package specification P/N And Add Dust Cap Protection Cap	Star	JL	10/13/2021
03	--	Change operating voltage and add HVIL Cap	JS	JL	07/28/2022

订购信息 Ordering Information

PL28 X - 30 1 - 95 - 2 - 5

Key and Color "X", Orange "Y", Black "U", Yellow "V", Green "W", Red "T", Blue	HVIL "0", NO HVIL "1", With HVIL	Cable Size "95"=95mm ²	Cable Type: "-5", Huber+Suhner
---	---	---	--

- 规格参数(Spec.):
- 工作温度 Operating temperature: -40°C ~ +125°C.
 - 带高压互锁 Electrical interlock (HVIL).
 - 额定电流 Current rating:
Power: 95mm², 300A; HVIL: 5A.
 - 额定电压 Operating voltage:
Power: 1500 VDC; Signal: 60 VDC. $\triangle 3$
 - 耐电压 Dielectric withstanding voltage:
 - A. 与插座对插后, Pin与铁壳之间
When mated, between pin and metal shell: 6000 VDC. $\triangle 3$
 - B. 与插座对插后, Pin与HVIL之间
When mated, between pin and HVIL: 6000 VDC. $\triangle 3$
 - C. 与插座对插后, HVIL与铁壳之间
When mated, between HVIL and metal shell: 500 VDC.
 - D. 与插座对插前, 两个HVIL端子之间耐压
Before mating, between two HVIL terminals: 500 VDC.
 - 防护等级 Protection class: Mated-IP6k9k & IP67, unmated-IP2X.
 - 电磁屏蔽 360° full Shielding.
 - 机械寿命 Mating cycle: 100 Min.
 - 带CPA摇杆系统 Latch system with CPA.
 - 绝缘材料满足UL94 V-0 Inner insulation material satisfy UL94V-0.
 - 镀锌/镍合金, 符合RoHS, 满足500H中性盐雾实验
Gray Zinc/Nickel(ZnNi) Plating. RoHS compliant, Rated at 500hours salt spray.
 - 产品满足RoHS和Reach要求. RoHS and Reach compliant. \checkmark
 - 绝缘体为140°RTI材料. The insulators are 140° RTI material. $\triangle 3$

Standard Part List:

Model No.	H+S Part No.	Dia. Primary Insulation(mm)	Dia. of Screen max. (mm)	Overall-Dia. Nominal(mm)	Outside-Dia. of terminal(mm): "A"	Inside-Dia. of terminal(mm): "B"
PL28(X)-30X-95-2-5	84100299	16.4±0.3	17.3	19.9±0.3	18.2±0.3	14.1±0.3

Amphenol Technical Products International Asia.

第三角投影 THIRD ANGLE PROJECTION 	页面 SHEET 1 OF 2	幅面 SIZE A4	版次 REV. 03	比例 SCALE	PART NAME: PL10mm G2 1POS Right Angle Plug D
签名 SIGNATURE 制图 DRAWN 审核 CHECKED 批准 APPROVAL	日期 DATE July.su 07/28/2022	UNLESS OTHERWISE SPECIFIED 1) All dimensions are in metric(mm). 2) Tolerances are as follows: 1.PL DEC ± 1.00 2.PL DEC ± 0.50 3.PL DEC ± 0.20 Angles ±1°			DWG NO: PL28X-30X-95-2-5
				CUST PART #	CUST REV.

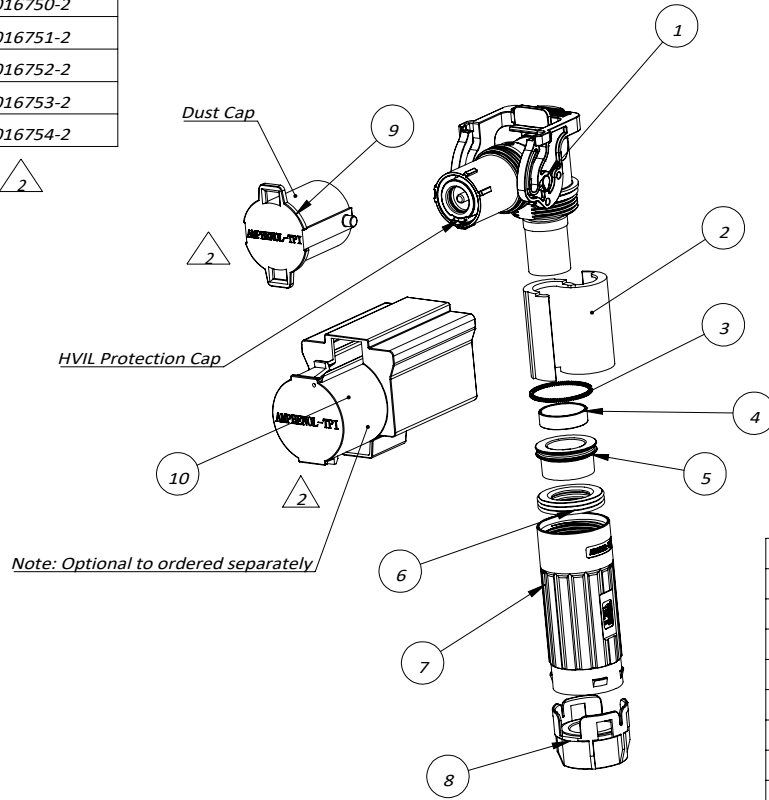
Key Characteristics Contact
Amphenol for Latest Definition

$\triangle 3$

Critical 关键特性
Significant 重要特性

THIS DRAWING IS SUPPLIED FOR INFORMATION ONLY. DESIGN FEATURES, SPECIFICATIONS AND PERFORMANCE DATA SHOWN HEREON ARE THE PROPERTY OF THE AMPHENOL CORPORATION. NO RIGHTS OF REPRODUCTION ARE IMPLIED. ALL DIMENSIONS ARE SUBJECT TO NORMAL MANUFACTURING VARIATIONS.

1	2	3	4	5	6	7	8
型号 Model	Kit Package P/N	Bulk Package P/N			REVISIONS		
PL28X-300-95-2-5	AC-HA016743	AC-HA016743-2			REV#	ECN#	REVISION ACTION
PL28Y-300-95-2-5	AC-HA016744	AC-HA016744-2			01	--	INITIAL RELEASE
PL28U-300-95-2-5	AC-HA016745	AC-HA016745-2			02	--	Add Package specification P/N And Add Dust Cap Protection Cap
PL28V-300-95-2-5	AC-HA016746	AC-HA016746-2			03	--	Change operating voltage and add HVIL Cap
PL28W-300-95-2-5	AC-HA016747	AC-HA016747-2			REV.BY:	APPR.BY:	DATE
PL28T-300-95-2-5	AC-HA016748	AC-HA016748-2			Star	James	09/04/2020
PL28X-301-95-2-5	AC-HA016749	AC-HA016749-2			Star	JL	10/13/2021
PL28Y-301-95-2-5	AC-HA016750	AC-HA016750-2			JS	JL	07/28/2022
PL28U-301-95-2-5	AC-HA016751	AC-HA016751-2					
PL28V-301-95-2-5	AC-HA016752	AC-HA016752-2					
PL28W-301-95-2-5	AC-HA016753	AC-HA016753-2					
PL28T-301-95-2-5	AC-HA016754	AC-HA016754-2					



10	PL300 G2 1 POS plug protection cap	1	Order P/N AC-CP001615
9	PL300 G2 Dust cover for Plug	1	
8	PL300 G2 R/A Tail Cap H+S cable	1	Different P/N are used according to different Cable sizes
7	PL300 G2 Back Shell 14mm-90	1	Different P/N are used according to different Cable sizes
6	PL300 G2 cale sealing	1	Different P/N are used according to different Cable sizes
5	PL300 G2 Outer Copper Ring for R/A Plug	1	Different P/N are used according to different Cable sizes
4	PL300 G2 Inner Copper Ring	1	Different P/N are used according to different Cable sizes
3	PL300 G2 Canted Coil Spring for Plug	1	
2	PL300 G2 Plastic set	2	
1	PL300 G2 Front Shell 14mm-90 Assy	1	Different P/N are used according to different Cable sizes
ITEM	DESCRIPTION	QTY	REMARK

MATERIALS LIST



Amphenol Technical Products International Asia.

第三角投影 THIRD ANGLE PROJECTION	页面 SHEET	幅面 SIZE	版次 REV.	比例 SCALE	PART NAME:
	2 OF 2	A4	03		PL10mm G2 1POS Right Angle Plug
签名 SIGNATURE	日期 DATE	UNLESS OTHERWISE SPECIFIED 1) All dimensions are in metric(mm). 2) Tolerances are as follows: 1.PL DEC ± 1.00 2.PL DEC ± 0.50 3.PL DEC ± 0.20			DWG NO:
制图 DRAWN	July.su				PL28X-30X-95-2-5
审核 CHECKED					CUST PART #
批准 APPROVAL					CUST REV.

Key
Characteristics
Contact
Amphenol for
Latest
Definition

Critical
关键特性

Significant
重要特性

X-ON Electronics

Largest Supplier of Electrical and Electronic Components

Click to view similar products for [Heavy Duty Power Connectors](#) category:

Click to view products by [Amphenol](#) manufacturer:

Other Similar products are found below :

[6646058-2](#) [6646137-1](#) [6646138-1](#) [6646940-1](#) [6651091-1](#) [6651525-1](#) [6651529-1](#) [696475-1](#) [702-32-01109](#) [73080255059](#) [73080965046](#)
[7310205040001](#) [765-16-0080B](#) [765-18-0080D](#) [902-77-02113](#) [PS00/A0620/6300](#) [AN0024023](#) [154-42B7WM250](#) [MS3117-14AC](#) [1643543-1](#)
[1766966-1](#) [1791340000](#) [NLDFT-3-BL-L-S120-M40A](#) [NLDFT-N-W-L-C240-M40B](#) [1926015-1](#) [NLS-3-BL-C240-M40B](#) [NLS-N-W-C240-](#)
[M40B](#) [NPS-3-BL-T6](#) [2-1589900-8](#) [9300480317](#) [294-0091-01100](#) [296-0040-01100](#) [1-6609148-0](#) [A32595-0049](#) [1766249-1](#) [19000005132](#)
[1926016-1](#) [1-966831-8](#) [AN0024202](#) [AN0264023](#) [279-0841-10100A](#) [281-0334-00100A](#) [RMSB4](#) [419-2083-301](#) [LCDX4/0-14B-X](#) [075-8519-](#)
[001](#) [078238-1613](#) [07.470.3256.0](#) [09000005288](#) [09140240311](#)