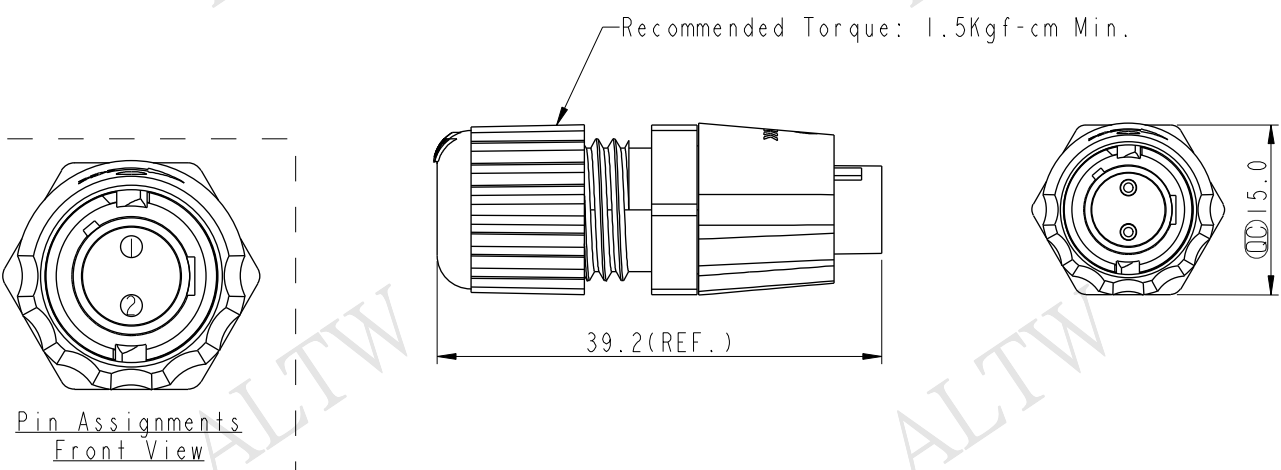
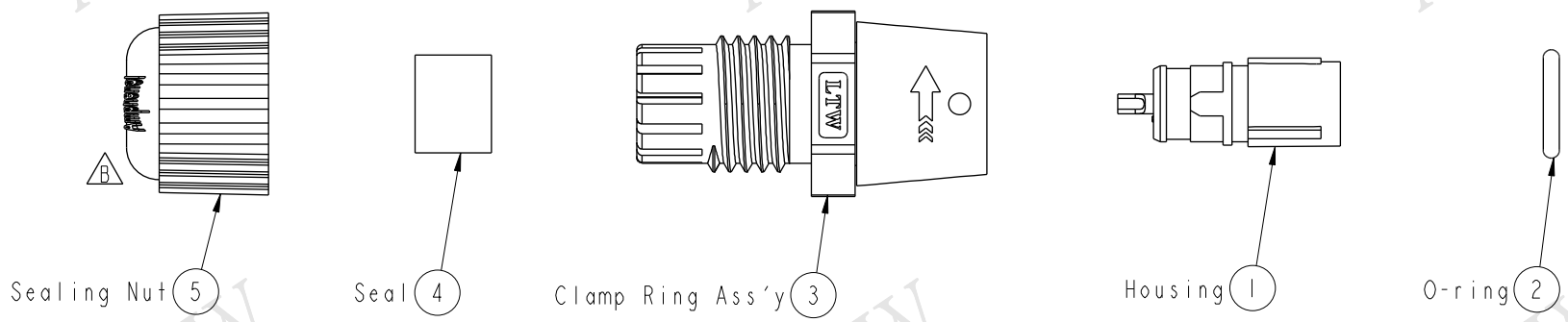


THIS DOCUMENT IS SUBJECT TO CHANGE WITHOUT NOTICE. IT IS CONFIDENTIAL AND A PROPERTY OF AMPHENOL LTW. DISCLOSURE TO THIRD PARTY HAS TO BE AUTHORIZED BY AMPHENOL LTW.

| REV. | ECN NO. | DATE | SIGN | DESCRIPTION |
|------|-----------------|------------|-------|--|
| A | Initial Release | 2012/10/25 | Ruru | PLD-02BFMA-QL7001 To PLD-02BFMA-QL7001 |
| B | LEN1510149 | 2015/01/07 | Vicky | Update Logo & Tolerance |

ALTW
 CONFIDENTIAL
 2015-01-07
 R&D DEPT.



- Note:
- * \varnothing Important Dimension To Check.
 - * Waterproof Rate: IP67.
 - * Housing: Nylon, UL 94V-0, Black.
 - * Male Pin: Copper Alloy, Gold Plated.
 - * Nut: Nylon+25%GF, UL 94V-0, Black.
 - * Clamp Ring: Nylon+GF, UL 94V-2, Black.
 - * Sealing Nut: Nylon+GF, UL 94V-2, Black.
 - * Rubber Parts: Silicone, UL 94V-0, Gray.
 - * Seal for Cable OD: $\varnothing 4.5\text{mm} \sim \varnothing 6.5\text{mm}$.
 - * Operating Voltage Max: AC 300 V Rms.
 - * Operating Current Max: 5A.
 - * One Set Unassembled In One Bag.

| | | | | | | | | |
|--|--|---|----------------|--------------------------------------|---------|------------------------------|---------------------|--------------------|
| UNIT:mm TOLERANCE $\pm 0.5 \text{ mm}$ | | TITLE ASSY, PUSH LOCK, 2PIN F CONN M PIN | | Amphenol LTW 安費諾亮泰企業股份有限公司 | | ITEM NO PLD-02BFMA-QL7001 | DRAWN BY Vicky | DATE 2015-01-07 |
| | | SCALE 3:2 | SIZE A4 | SHEET 1 | OF 1 | DWG NO PLD-02BFMA-QL7001 | CHECKED BY Sam | DATE 2015-01-07 |
| | | REV. B | WC-REV. A.2 | \varnothing : Inspection item | | CUSTOMER ALTW | APPROVED BY Rita | DATE 2015-01-07 |
| | | | | | | | | 8 |

X-ON Electronics

Largest Supplier of Electrical and Electronic Components

Click to view similar products for [Standard Circular Connector](#) category:

Click to view products by [Amphenol](#) manufacturer:

Other Similar products are found below :

[5M2530B10P](#) [600259N006](#) [600273N007](#) [6134-336-13149](#) [6134-337-11149](#) [6134-337-2390](#) [6134-341-17149](#) [6280-4SG-516](#) [6280-7SG-3DC](#)
[6290](#) [6291A](#) [66200A-10](#) [680-SMG](#) [681-PMG](#) [CXS3102A14S2P](#) [CXS3102A181S](#) [7251-6SG-300](#) [7271-6SG-300](#) [7282-3PG-300-CH3](#) [75-](#)
[474014-05S](#) [75-474618-01S](#) [75-474618-04P](#) [75-474618-04S](#) [799539-000](#) [MI8-SE](#) [805-005-07NF11-19PC](#) [805-005-07NF15-7PA](#) [8280-4PG-](#)
[516](#) [8280-7PG-519](#) [8282-5PG-519](#) [836783-1](#) [MP-4102-25P-C](#) [862256-1](#) [864019-2](#) [866857-1](#) [867865-1](#) [PT01SP-14-18P](#) [PT08P-14-5S](#)
[PTSF06SE-14-12S](#) [120-1833-000](#) [QCM019PC2DC012B](#) [1-2069279-1](#) [121583-0217](#) [121667-0020](#) [129591AU](#) [1000B BULK](#) [RD10A16-19-](#)
[P6CS051/1](#) [RD10A20-31-P8CS051/1](#) [RD16A14-12-S6CS051/2](#) [1301240290](#) [1301240347](#)