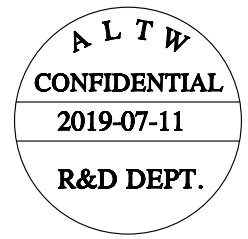
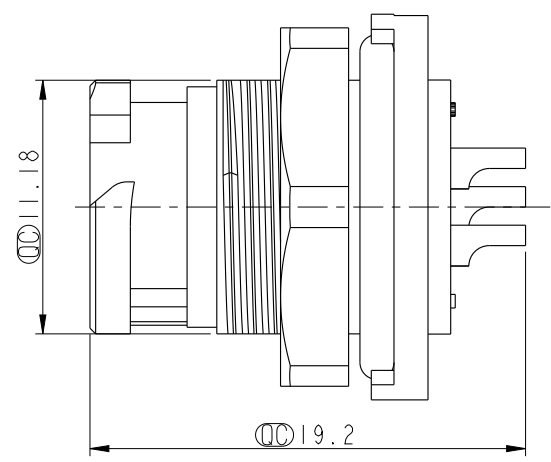
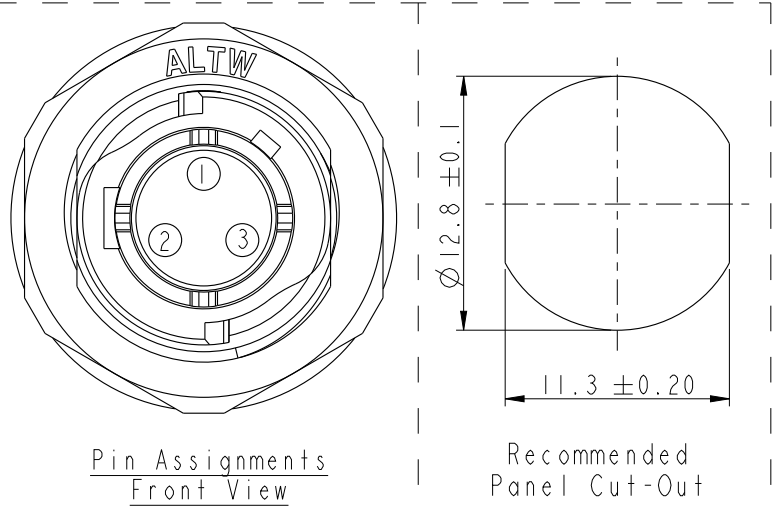
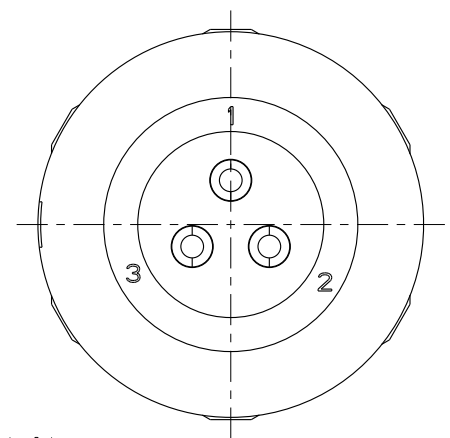
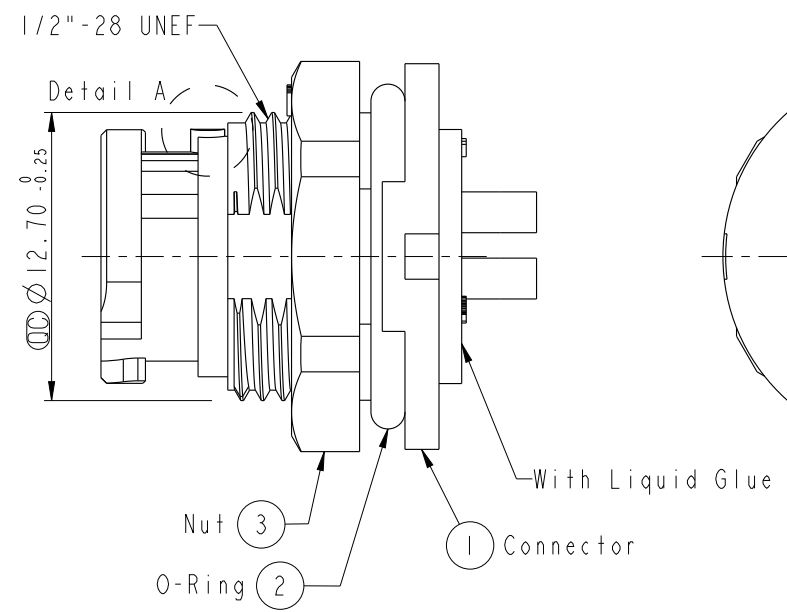
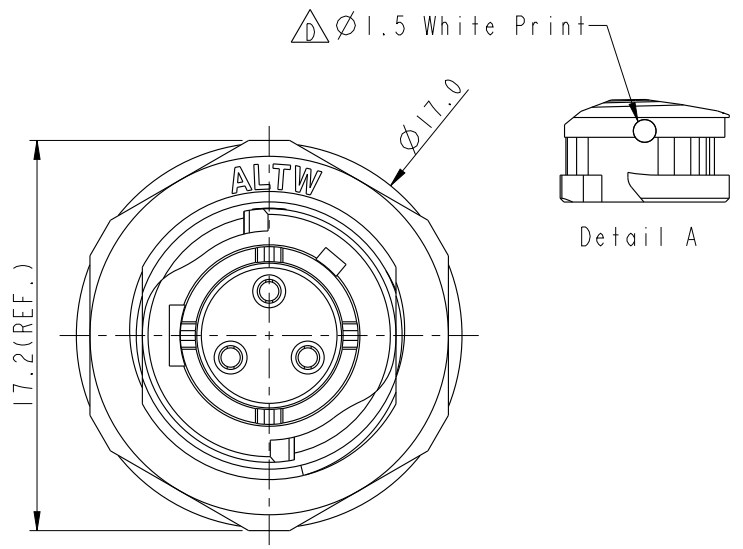


THIS DOCUMENT IS SUBJECT TO CHANGE WITHOUT NOTICE. IT IS CONFIDENTIAL AND A PROPERTY OF AMPHENOL LTW. DISCLOSURE TO THIRD PARTY HAS TO BE AUTHORIZED BY AMPHENOL LTW.

REV.	ECN NO.	DATE	SIGN	DESCRIPTION
C	CI90315	2019/03/14	Ruru	Modify Note
D	CI90910	2019/06/06	Eric	Increase Dimension
E	CI91169	2019/07/11	Nan_Su	Modify Note



- Note: ΔC
- * ϕ Important Dimension To Check.
 - * Waterproof Rate: IP67, Mated
 - * Housing: Thermoplastic, Black
 - * Pin: Copper Alloy, Gold Plated
 - * Nut: Thermoplastic, Black
 - * O-Ring: Rubber, Gray ΔE
 - * Use With Dust Cap
Panel Thickness Max.: 2.0mm
 - * Use Without Dust Cap
Panel Thickness Max.: 3.0mm
 - * Nut are packed separately in PE bags.

UNIT: mm		
TOLERANCE		
.X	± 0.25	
.XX	± 0.1	
.XXX	± 0.05	
ANGLES	$\pm 1^\circ$	

TITLE PANEL, PUSH LOCK, 3PIN M CONN F PIN			
SCALE 3:1	SIZE A4	SHEET 1 OF 1	
REV. E	WC-REV. .0	ϕ : Inspection item	

Amphenol LTW
安費諾亮泰企業股份有限公司

ITEM NO. PLD-03PMFS-QC7001	DRAWN BY Nan_Su	DATE 2019-07-11
DWG NO. PLD-03PMFS-QC7001	CHECKED BY Feng_Li	DATE 2019-07-11
CUSTOMER ALTW	APPROVED BY Jerry	DATE 2019-07-11

X-ON Electronics

Largest Supplier of Electrical and Electronic Components

Click to view similar products for [Standard Circular Connector](#) category:

Click to view products by [Amphenol](#) manufacturer:

Other Similar products are found below :

[5M2530B10P](#) [600259N006](#) [600273N007](#) [6134-336-13149](#) [6134-337-11149](#) [6134-337-2390](#) [6134-341-17149](#) [6280-4SG-516](#) [6280-7SG-3DC](#)
[6290](#) [6291A](#) [66200A-10](#) [680-SMG](#) [681-PMG](#) [CXS3102A14S2P](#) [CXS3102A181S](#) [7251-6SG-300](#) [7271-6SG-300](#) [7282-3PG-300-CH3](#) [75-](#)
[474014-05S](#) [75-474618-01S](#) [75-474618-04P](#) [75-474618-04S](#) [799539-000](#) [MI8-SE](#) [805-005-07NF11-19PC](#) [805-005-07NF15-7PA](#) [8280-4PG-](#)
[516](#) [8280-7PG-519](#) [8282-5PG-519](#) [836783-1](#) [MP-4102-25P-C](#) [862256-1](#) [864019-2](#) [866857-1](#) [867865-1](#) [PT01SP-14-18P](#) [PT08P-14-5S](#)
[PTSF06SE-14-12S](#) [120-1833-000](#) [QCM019PC2DC012B](#) [1-2069279-1](#) [121583-0217](#) [121667-0020](#) [129591AU](#) [1000B BULK](#) [RD10A16-19-](#)
[P6CS051/1](#) [RD10A20-31-P8CS051/1](#) [RD16A14-12-S6CS051/2](#) [1301240290](#) [1301240347](#)