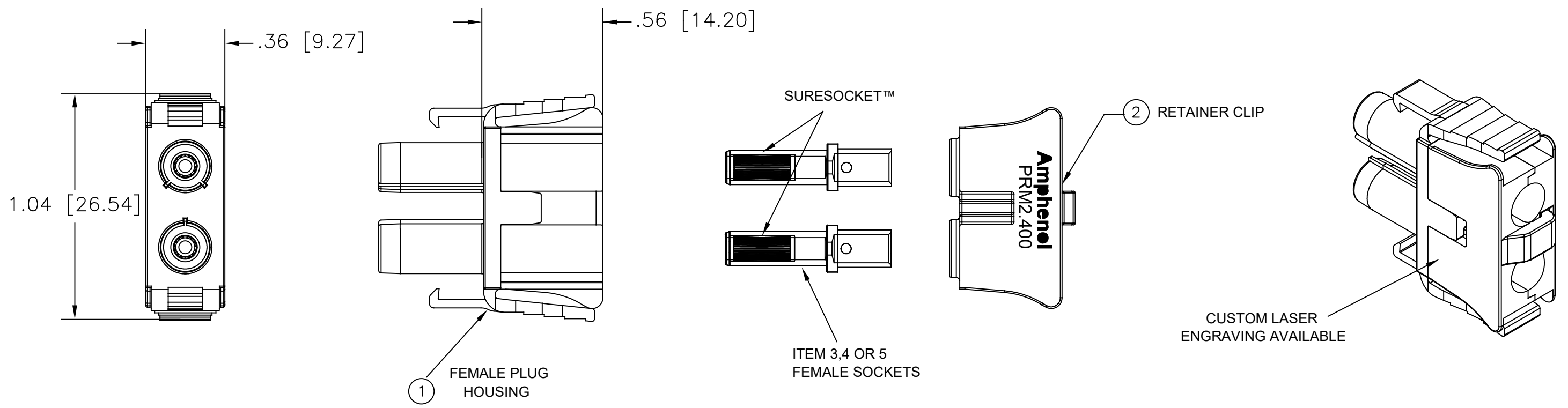


REVISIONS					
REV	ECD	DESCRIPTION	DATE	BY	APPR
A1	-	INITIAL RELEASE	4JAN 20	TZ	-



NOTES:

- CONTACT BARREL RANGE: 10AWG TO 20AWG
- MAX INSULATION SIZE: .216 (5.5MM)
- RECOMMENDED CRIMP TOOLS:
HAND CRIMPER: DANIELS M300BT
UNIVERSAL POSITIONER: UH2-5
- MATERIALS:
HOUSING BODY: GF PA 6/6
CONTACT: COPPER ALLOY / SILVER PLATED
WITH RADSOK® TECHNOLOGY / SILVER PLATED
WITH SURE SOCKET™ TECHNOLOGY / GOLD PLATED
- ELECTRICAL DATA:
a) CURRENT (MAX): SEE CHART
b) VOLTAGE (MAX): 250V DC
- TECHNICAL DATA:
a) TEMPERATURE RANGE: -40°C TO 125°C
b) MATING CYCLES: >500
- RoHS COMPLIANT
- UL 94 V-0 FLAME RATING
- INSTALLATION INSTRUCTIONS:
WWW.AMPHENOL-SINE.COM/PDF/PRM2400-PLG.PDF

PART NUMBER	CONTACT P/N	WIRE AWG (mm²)	US UL	CUL
PRM2.400-G4-PLG	SC000706	20 AWG (0.5mm²)	10A UL PENDING	10A UL PENDING
		18 AWG (.75mm²)	12A UL PENDING	12A UL PENDING
PRM2.400-G3-PLG	SC000692	16 AWG (1.5mm²)	16A UL PENDING	16A UL PENDING
		14 AWG (2.5mm²)	20A DC	15A DC
PRM2.400-G2-PLG	SC000612	12 AWG (2.5mm²)	30A DC	25A DC
		10 AWG (4mm²)	32A DC	32A DC

BAG SAMPLE

DATE: MM/DD/YY
LOT: XXXXXX
QTY: 1

*SEE UL RATING IN CHART

INSTALLATION TOOL DANIELS M300BT

ASSEMBLY INSTRUCTIONS
WWW.AMPHENOL-SINE.COM/PDF/PRM2400-PLG.PDF

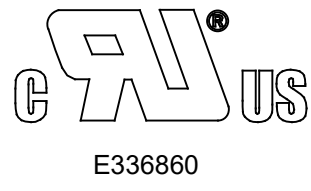
- KIT CONTAINS**
- 2 FEMALE SOCKETS
 - RETAINER CLIP
 - CONTACT HOUSING

COMPONENTS CAN BE PURCHASED SEPARATELY

QUANTITY	PART NUMBER	DESCRIPTION	ITEM
2	SC000612	2.4MM FEMALE, SOCKET, 10-12AWG	5
2	SC000692	2.4MM FEMALE, SOCKET, 14-16AWG	4
2	SC000706	2.4MM FEMALE, SOCKET, 18-20 AWG	3
1	PL-000735	RETAINER, CLIP	2
1	PL-000734	CONTACT HOUSING, PLASTIC	1

MATERIALS LIST

UNLESS OTHERWISE SPECIFIED	SIGNATURES	DATE	<p>Sine Systems - www.amphenol-sine.com 44724 Morley Drive Clinton Township, MI 48036</p>
1) All dimensions are in metric(mm). 2) Tolerances are as follows: 1 PL DEC ±0.30 2 PL DEC ±0.15 3 PL DEC ±0.08	DRAWN: TZ	1JAN20	
3) Note reference =	CHECKED: RC	2FEB20	
	ENGINEER: TZ		
	APPROVAL: TZ	3MAR20	
MATERIAL SPECIFICATIONS:	CUSTOMER:		KIT, 2 POSN, F/M PLUG, SCKT PRM SERIES™ MACH CONT, MATES WITH PRM2400-G2-PNL
PROCESS SPECIFICATIONS:	THIS DRAWING IS SUPPLIED FOR INFORMATION ONLY. DESIGN FEATURES, SPECIFICATIONS AND PERFORMANCE DATA SHOWN HEREON ARE THE PROPERTY OF THE AMPHENOL CORPORATION. NO RIGHTS OF REPRODUCTION ARE IMPLIED. ALL DIMENSIONS ARE SUBJECT TO NORMAL MANUFACTURING VARIATIONS.		
NEXT ASSY:	SIZE	TYPE	DWG NO:
	B	C-	PRM2.400-G(X)-PLG
	SCALE: NONE		REVISION: A1
			SHEET 1 OF 1



TITLE: KIT, 2 POSN, F/M PLUG, SCKT PRM SERIES? DWG NO: REV: A1 SH: 1 OF: 1

X-ON Electronics

Largest Supplier of Electrical and Electronic Components

Click to view similar products for [Heavy Duty Power Connectors](#) category:

Click to view products by [Amphenol](#) manufacturer:

Other Similar products are found below :

[647757-1](#) [6643411-1](#) [6646058-2](#) [6646137-1](#) [6646138-1](#) [6646479-1](#) [6646608-1](#) [6646786-1](#) [6646940-1](#) [6651091-1](#) [6651525-1](#) [6651529-1](#)
[6651788-1](#) [696475-1](#) [73000005059](#) [73000005642](#) [765-15-0080A](#) [765-16-0080B](#) [829992-1](#) [902-77-02113](#) [129-1J](#) [AN0024023](#) [E6374G1](#)
[e6389g2](#) [157-43GW8](#) [MS3117-14AC](#) [1643543-1](#) [1650540-1](#) [1651811-2](#) [1766260-1](#) [1766282-1](#) [1766966-1](#) [1791340000](#) [NLDFT-3-BL-L-](#)
[S120-M40A](#) [NLDFT-N-W-L-C240-M40B](#) [NLS-2-R-C240-M40B](#) [NLS-N-W-C240-M40B](#) [NPS-3-BL-T6](#) [1986615-1](#) [2-1589900-8](#) [2199314-1](#)
[KA8102](#) [9300480317](#) [SBS50BRN#6](#) [29131](#) [29652](#) [1646905-1](#) [1648320-1](#) [1648582-1](#) [1650195-2](#)