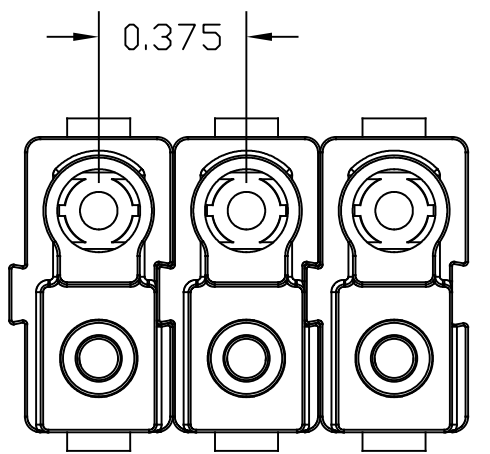
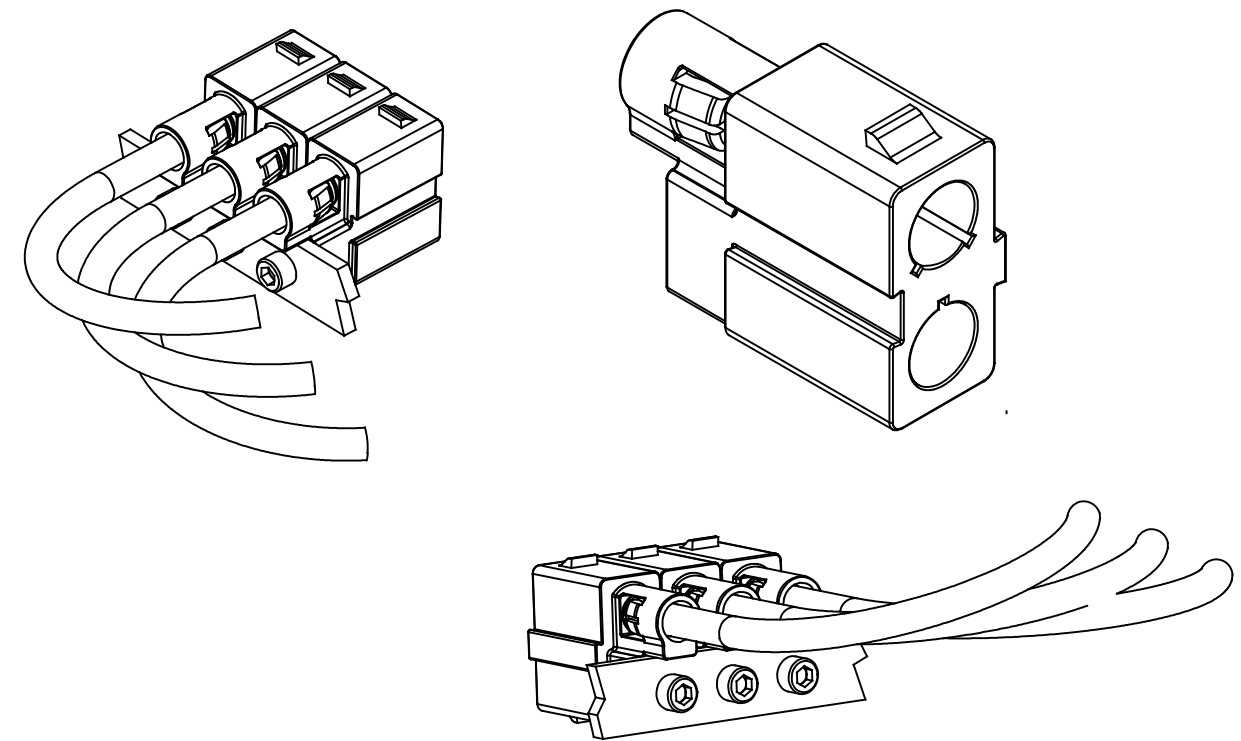
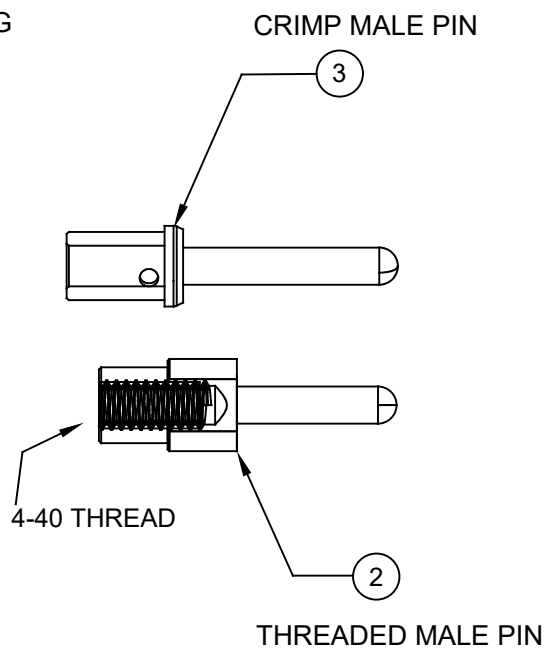
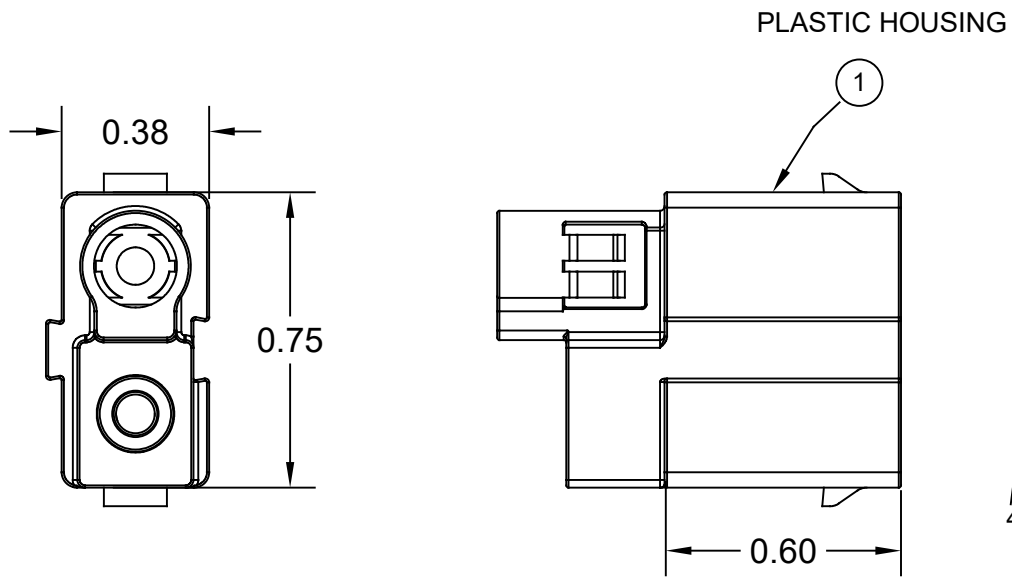


REVISIONS					
REV.	ECD	DESCRIPTION	DATE	BY	APPROVED
A1	-	INITIAL RELEASE	1APR20	TZ	TZ



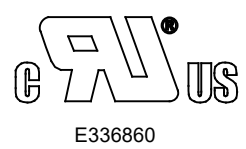
ALL DIMENSIONS REF ONLY

TECHNICAL DATA:

- 1) MATERIALS:
 - CONTACT: SILVER PLATING OVER COPPER ALLOY
 - MATERIAL: GF NYLON 6/6 COLOR: BLACK
- 2) UL / CUL : APPROVED TO 32 AMPS, E336860

QUANTITY	PART NUMBER	DESCRIPTION	ITEM
1	SC000611	2.4MM PIN, 10AWG CRIMP	3
1	SC000565	2.4MM PIN, 4-40 THREADED	2
1	PL000733	PANEL SIDE, PLASTIC HOUSING	1

UNLESS OTHERWISE SPECIFIED: 1) All dimensions are in inches. 2) Tolerances are as follows: 1 PL DEC ±0.05 Fractions ±1/64 2 PL DEC ±0.01 Angles ±1° 3 PL DEC ±0.005 3) Fabrication Standards Per S5-20020 4) Note Reference =		SIGNATURES DRAWN: TZ CHECKED: RC ENGINEER: TZ APPROVAL: TZ		DATE 1JAN20 1APR20 1APR20		SINE Systems Corporation A Subsidiary of Amphenol Corporation 44724 Morley Drive Clinton Township, MI 48036 KIT, 2 POSN MALE RECPT, PIN, PRM SERIES 12-14AWG MACHINED CONTACT MATES WITH PRM2400-GX-PLG			
MATERIAL SPECIFICATIONS: MATERIAL SPECIFICATION S3-20003		CUSTOMER:		THE USE OF THIS DOCUMENT IS LIMITED TO THE DESIGN, SPECIFICATIONS, AND PERFORMANCE DATA SHOWN HEREIN ARE THE PROPERTY OF AMPHENOL CORP. ALL DIMENSIONS ARE SUBJECT TO NORMAL MANUFACTURING VARIATIONS. DOCUMENTS REFERENCED HEREIN MAY CONTAIN LIMITED RIGHTS DATA.					
NEXT ASS'Y: NEXT ASM		SCALE: 2:1		SHEET 1 OF 1					



TITLE: TITLE: DWG NO: PANEL MALE RECPT 2.4MM REV: A1 SH: 1 DF: 1

X-ON Electronics

Largest Supplier of Electrical and Electronic Components

Click to view similar products for [Heavy Duty Power Connectors](#) category:

Click to view products by [Amphenol](#) manufacturer:

Other Similar products are found below :

[647757-1](#) [6643411-1](#) [6646058-2](#) [6646137-1](#) [6646138-1](#) [6646479-1](#) [6646608-1](#) [6646786-1](#) [6646940-1](#) [6651091-1](#) [6651525-1](#) [6651529-1](#)
[6651788-1](#) [696475-1](#) [73000005059](#) [73000005642](#) [765-15-0080A](#) [765-16-0080B](#) [829992-1](#) [902-77-02113](#) [129-1J](#) [AN0024023](#) [E6374G1](#)
[e6389g2](#) [157-43GW8](#) [MS3117-14AC](#) [1643543-1](#) [1650540-1](#) [1651811-2](#) [1766260-1](#) [1766282-1](#) [1766966-1](#) [1791340000](#) [NLDFT-3-BL-L-](#)
[S120-M40A](#) [NLDFT-N-W-L-C240-M40B](#) [NLS-2-R-C240-M40B](#) [NLS-N-W-C240-M40B](#) [NPS-3-BL-T6](#) [1986615-1](#) [2-1589900-8](#) [2199314-1](#)
[KA8102](#) [9300480317](#) [SBS50BRN#6](#) [29131](#) [29652](#) [1646905-1](#) [1648320-1](#) [1648582-1](#) [1650195-2](#)