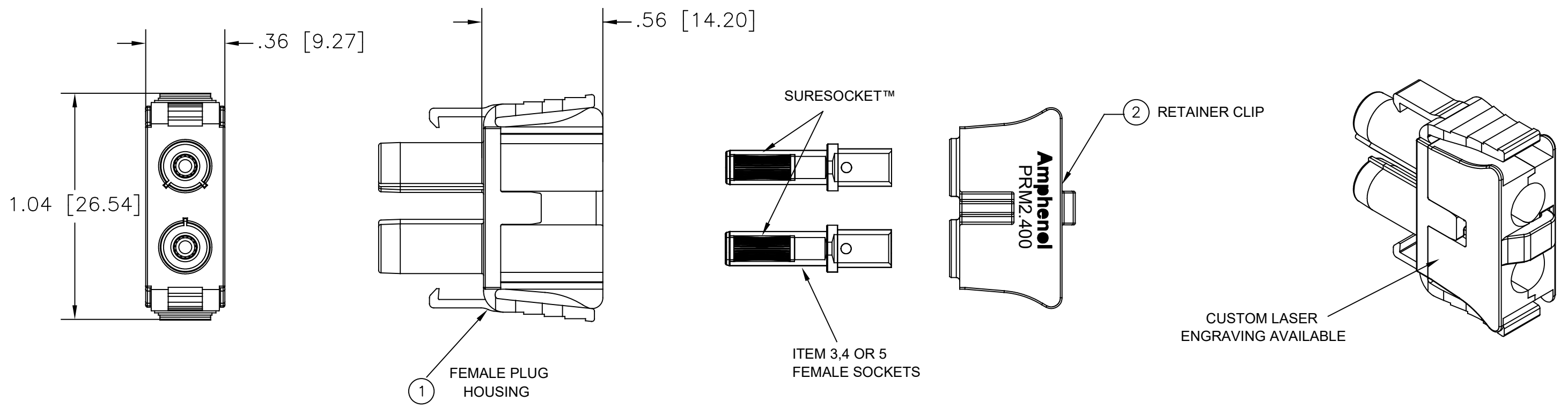


REVISIONS					
REV	ECD	DESCRIPTION	DATE	BY	APPR
A1	-	INITIAL RELEASE	4JAN 20	TZ	-



NOTES:

- CONTACT BARREL RANGE: 10AWG TO 20AWG
- MAX INSULATION SIZE: .216 (5.5MM)
- RECOMMENDED CRIMP TOOLS:  
HAND CRIMPER: DANIELS M300BT  
UNIVERSAL POSITIONER: UH2-5
- MATERIALS:  
HOUSING BODY: GF PA 6/6  
CONTACT: COPPER ALLOY / SILVER PLATED  
WITH RADSOK® TECHNOLOGY / SILVER PLATED  
WITH SURE SOCKET™ TECHNOLOGY / GOLD PLATED
- ELECTRICAL DATA:  
a) CURRENT (MAX): SEE CHART  
b) VOLTAGE (MAX): 250V DC
- TECHNICAL DATA:  
a) TEMPERATURE RANGE: -40°C TO 125°C  
b) MATING CYCLES: >500
- RoHS COMPLIANT
- UL 94 V-0 FLAME RATING
- INSTALLATION INSTRUCTIONS:  
WWW.AMPHENOL-SINE.COM/PDF/PRM2400-PLG.PDF

PART NUMBER	CONTACT P/N	WIRE AWG (mm²)	US UL	CUL
PRM2.400-G4-PLG	SC000706	20 AWG (0.5mm²)	10A <sup>UL PEND</sup>	10A <sup>UL PEND</sup>
		18 AWG (.75mm²)	12A <sup>UL PEND</sup>	12A <sup>UL PEND</sup>
PRM2.400-G3-PLG	SC000692	16 AWG (1.5mm²)	16A <sup>UL PEND</sup>	16A <sup>UL PEND</sup>
		14 AWG (2.5mm²)	20A DC	15A DC
PRM2.400-G2-PLG	SC000612	12 AWG (2.5mm²)	30A DC	25A DC
		10 AWG (4mm²)	32A DC	32A DC

**BAG SAMPLE**

DATE: MM/DD/YY  
LOT: XXXXXX  
QTY: 1

\*SEE UL RATING IN CHART

INSTALLATION TOOL DANIELS M300BT

ASSEMBLY INSTRUCTIONS  
WWW.AMPHENOL-SINE.COM/PDF/PRM2400-PLG.PDF

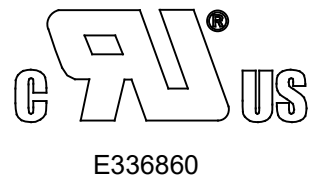
- KIT CONTAINS**
- 2 FEMALE SOCKETS
  - RETAINER CLIP
  - CONTACT HOUSING

COMPONENTS CAN BE PURCHASED SERARATELY

QUANTITY	PART NUMBER	DESCRIPTION	ITEM
2	SC000612	2.4MM FEMALE, SOCKET, 10-12AWG	5
2	SC000692	2.4MM FEMALE, SOCKET, 14-16AWG	4
2	SC000706	2.4MM FEMALE, SOCKET, 18-20 AWG	3
1	PL-000735	RETAINER, CLIP	2
1	PL-000734	CONTACT HOUSING, PLASTIC	1

MATERIALS LIST

UNLESS OTHERWISE SPECIFIED	SIGNATURES	DATE	<p>Sine Systems - www.amphenol-sine.com 44724 Morley Drive Clinton Township, MI 48036</p>								
1) All dimensions are in metric(mm). 2) Tolerances are as follows: 1 PL DEC ±0.30 2 PL DEC ±0.15 3 PL DEC ±0.08	DRAWN: TZ	1JAN20									
3) Note reference =	CHECKED: RC	2FEB20									
	ENGINEER: TZ										
MATERIAL SPECIFICATIONS:	APPROVAL: TZ	3MAR20	<p>KIT, 2 POSN, F/M PLUG, SCKT PRM SERIES™ MACH CONT, MATES WITH PRM2400-G2-PNL</p>								
PROCESS SPECIFICATIONS:	CUSTOMER:										
NEXT ASSY:	THIS DRAWING IS SUPPLIED FOR INFORMATION ONLY. DESIGN FEATURES, SPECIFICATIONS AND PERFORMANCE DATA SHOWN HEREON ARE THE PROPERTY OF THE AMPHENOL CORPORATION. NO RIGHTS OF REPRODUCTION ARE IMPLIED. ALL DIMENSIONS ARE SUBJECT TO NORMAL MANUFACTURING VARIATIONS.		<table border="1"> <tr> <td>SIZE</td> <td>TYPE</td> <td>DWG NO:</td> <td>REVISION</td> </tr> <tr> <td>B</td> <td>C-</td> <td>PRM2.400-G(X)-PLG</td> <td>A1</td> </tr> </table>	SIZE	TYPE	DWG NO:	REVISION	B	C-	PRM2.400-G(X)-PLG	A1
SIZE	TYPE	DWG NO:	REVISION								
B	C-	PRM2.400-G(X)-PLG	A1								
SCALE: NONE			SHEET 1 OF 1								



TITLE: KIT, 2 POSN, F/M PLUG, SCKT PRM SERIES? DWG NO: REV: A1 SH: 1 OF: 1

## X-ON Electronics

Largest Supplier of Electrical and Electronic Components

*Click to view similar products for [Heavy Duty Power Connectors](#) category:*

*Click to view products by [Amphenol](#) manufacturer:*

Other Similar products are found below :

[647757-1](#) [6643411-1](#) [6646058-2](#) [6646137-1](#) [6646138-1](#) [6646479-1](#) [6646608-1](#) [6646786-1](#) [6646940-1](#) [6651091-1](#) [6651525-1](#) [6651529-1](#)  
[6651788-1](#) [696475-1](#) [73000005059](#) [73000005642](#) [765-15-0080A](#) [765-16-0080B](#) [829992-1](#) [902-77-02113](#) [129-1J](#) [AN0024023](#) [E6374G1](#)  
[e6389g2](#) [157-43GW8](#) [MS3117-14AC](#) [1643543-1](#) [1650540-1](#) [1651811-2](#) [1766260-1](#) [1766282-1](#) [1766966-1](#) [1791340000](#) [NLDFT-3-BL-L-](#)  
[S120-M40A](#) [NLDFT-N-W-L-C240-M40B](#) [NLS-2-R-C240-M40B](#) [NLS-N-W-C240-M40B](#) [NPS-3-BL-T6](#) [1986615-1](#) [2-1589900-8](#) [2199314-1](#)  
[KA8102](#) [9300480317](#) [SBS50BRN#6](#) [29131](#) [29652](#) [1646905-1](#) [1648320-1](#) [1648582-1](#) [1650195-2](#)