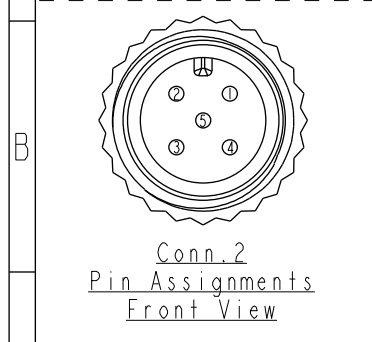
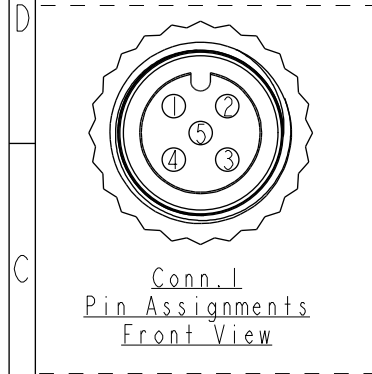
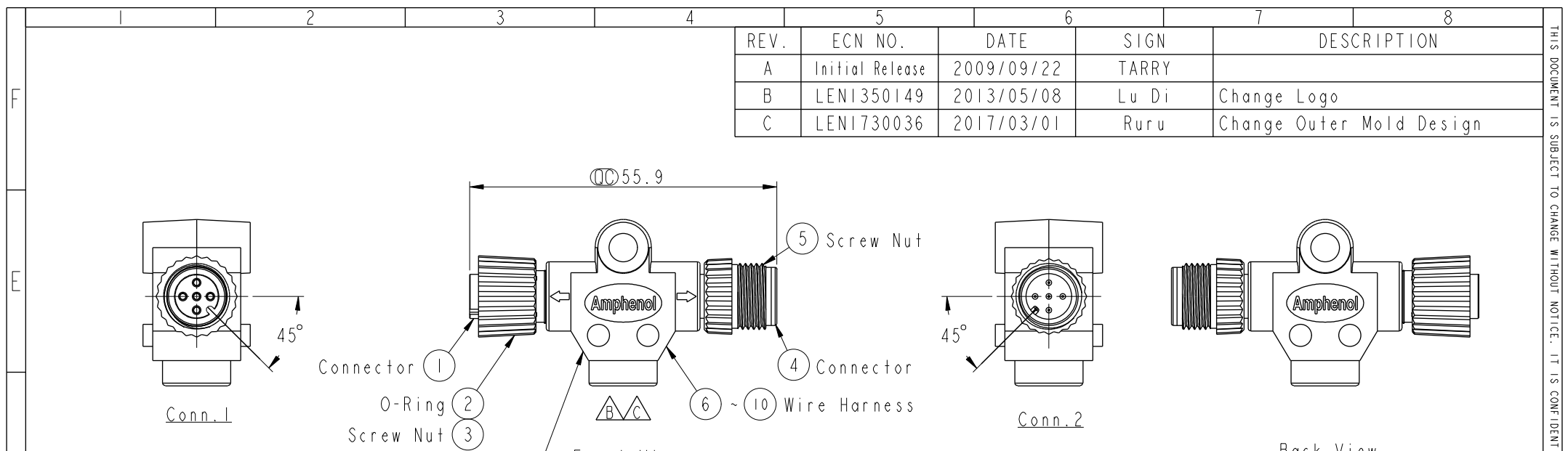


REV.	ECN NO.	DATE	SIGN	DESCRIPTION
A	Initial Release	2009/09/22	TARRY	
B	LEN1350149	2013/05/08	Lu Di	Change Logo
C	LEN1730036	2017/03/01	Ruru	Change Outer Mold Design



Inner Mold (11)
Outer Mold (12)
Color: Black

Wire Color	Conn. 1	Conn. 2
Blue (24AWG) 藍	5	5
White (24AWG) 白	4	4
Black (22AWG) 黑	3	3
Red (22AWG) 紅	2	2
Green (24AWG) 綠	1	1

Pin Out



- Note:
- * \varnothing Important Dimension
 - * Waterproof Rate: IP68
In 1 meter water within 24 hours
 - * Connector: PU, Black
 - * O-Ring: Viton, Green
 - * Screw Nut: Nylon+GF, Black
 - * Pin: Copper Alloy, Gold Plated
 - * Wire Harness: UL1061 24AWG, Green, White, Blue
 - * Wire Harness: UL1061 22AWG, Red, Black

UNIT:mm TOLERANCE $\pm 0.5mm$	TITLE M12 Conn 1 Adaptor FM Conn FM Pin, 5Pin		Amphenol LTW 安費諾亮泰企業股份有限公司	ITEM NO PS-000505-0FM-IS001	DRAWN BY Ruru	DATE 2017-03-01
	SCALE 1:1	SIZE A4		SHEET 1	OF 1	DWG NO PS-000505-0FM-IS001
REV. C	WC-REV. A.2	\varnothing : Inspection item	CUSTOMER ALTW	APPROVED BY Max	DATE 2017-03-01	

THIS DOCUMENT IS SUBJECT TO CHANGE WITHOUT NOTICE. IT IS CONFIDENTIAL AND A PROPERTY OF Amphenol LTW. DISCLOSURE TO THIRD PARTY HAS TO BE AUTHORIZED BY Amphenol LTW.

X-ON Electronics

Largest Supplier of Electrical and Electronic Components

Click to view similar products for [Circular Metric Connectors](#) category:

Click to view products by [Amphenol](#) manufacturer:

Other Similar products are found below :

[600X518037X](#) [6STD15PCR99B70A](#) [8R4000A16M020](#) [8R5000A16M005](#) [1200910002](#) [1203580030](#) [1200910008](#) [1200910011](#) [1300140094](#)
[130203-0054](#) [1300140026](#) [1300150099](#) [1-3637-600-5205](#) [1612618](#) [21036836414](#) [8R4006A16M010](#) [1R3006A20M005](#) [41-40011](#) [42-00006](#)
[42-01015](#) [4-22279-4](#) [4-22281-1](#) [4-22284-9](#) [43-00113](#) [43-01203](#) [41-40013](#) [42-00008](#) [43-00343](#) [43-01026](#) [43-01162](#) [43-01173](#) [43-10000](#)
[XS3P-M421-2](#) [600X518050X](#) [8R5006A16M020](#) [8R5006A16M005](#) [8R4000A16M010](#) [6-22279-3](#) [1605332](#) [N03FA03144](#) [1300140077](#) [43-](#)
[16213](#) [43-01338](#) [XS2RD4265](#) [XS2R-D426-1](#) [XS8A-0441](#) [859RD04-103R004](#) [860RD04-113R004](#) [860RD04-213R004](#) [1-213245-2](#)