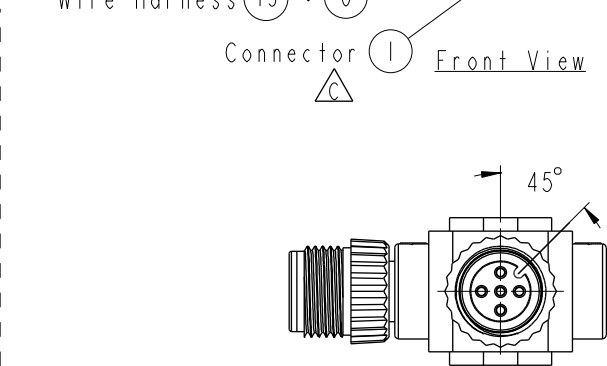
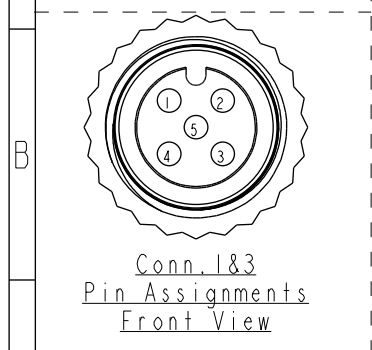
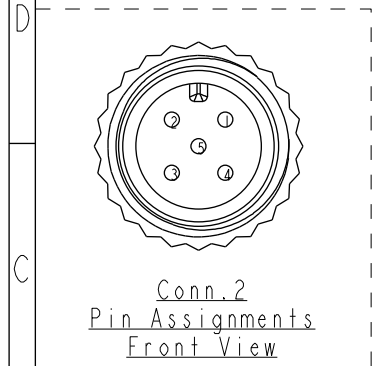
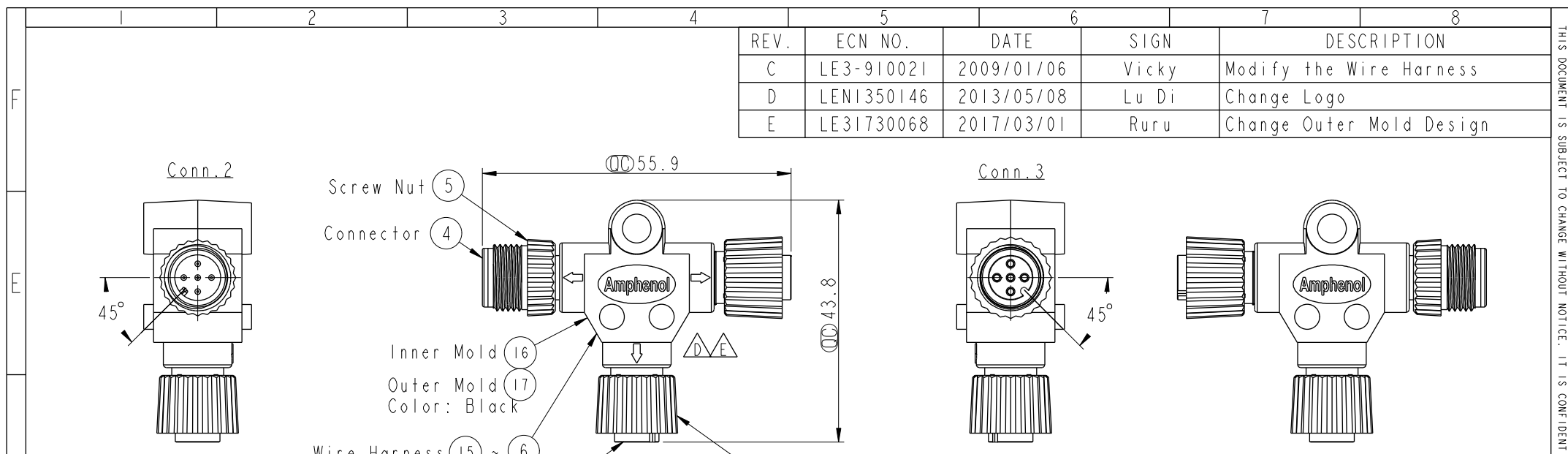


REV.	ECN NO.	DATE	SIGN	DESCRIPTION
C	LE3-910021	2009/01/06	Vicky	Modify the Wire Harness
D	LEN1350146	2013/05/08	Lu Di	Change Logo
E	LE31730068	2017/03/01	Ruru	Change Outer Mold Design



Wire Color	Conn. 1	Conn. 2	Conn. 3
Blue (24AWG) 藍	5	5	5
White (24AWG) 白	4	4	4
Black (22AWG) 黑	3	3	3
Red (22AWG) 紅	2	2	2
Green (24AWG) 綠	1	1	1



Note:

- * \varnothing Important Dimension
- * Waterproof Rate: IP68
- In 1 meter water within 24 hours
- * Connector: PU, Black
- * O- Ring: Viton, Green
- * Screw Nut: Nylon+GF, Black
- * Pin: Copper Alloy, Gold Plated
- * Wire Harness: UL1061 24AWG, Green, White, Blue
- * Wire Harness: UL1061 22AWG, Red, Black

UNIT:mm TOLERANCE $\pm 0.5mm$	TITLE M12 Conn T Adaptor FMF Conn FMF Pin, 5Pin		Amphenol LTW 安費諾亮泰企業股份有限公司		ITEM NO PS-050505-FMF-TS001	DRAWN BY Ruru	DATE 2017-03-01
	SCALE 1:1	SIZE A4			SHEET 1	OF 1	DWG NO PS-050505-FMF-TS001
REV. E	WC-REV. A.1	\varnothing : Inspection item		CUSTOMER ALTW	APPROVED BY Max	DATE 2017-03-01	

THIS DOCUMENT IS SUBJECT TO CHANGE WITHOUT NOTICE. IT IS CONFIDENTIAL AND A PROPERTY OF Amphenol LTW. DISCLOSURE TO THIRD PARTY HAS TO BE AUTHORIZED BY Amphenol LTW.

X-ON Electronics

Largest Supplier of Electrical and Electronic Components

Click to view similar products for [Circular Metric Connectors](#) category:

Click to view products by [Amphenol](#) manufacturer:

Other Similar products are found below :

[600X518037X](#) [6STD15PCR99B70A](#) [8R4000A16M020](#) [8R5000A16M005](#) [1200910002](#) [1203580030](#) [1200910008](#) [1200910011](#) [1300140094](#)
[130203-0054](#) [1300140026](#) [1300150099](#) [1-3637-600-5205](#) [1612618](#) [21036836414](#) [8R4006A16M010](#) [1R3006A20M005](#) [41-40011](#) [42-00006](#)
[42-01015](#) [4-22279-4](#) [4-22281-1](#) [4-22284-9](#) [43-00113](#) [43-01203](#) [41-40013](#) [42-00008](#) [43-00343](#) [43-01026](#) [43-01162](#) [43-01173](#) [43-10000](#)
[XS3P-M421-2](#) [600X518050X](#) [8R5006A16M020](#) [8R5006A16M005](#) [8R4000A16M010](#) [6-22279-3](#) [1605332](#) [N03FA03144](#) [1300140077](#) [43-](#)
[16213](#) [43-01338](#) [XS2RD4265](#) [XS2R-D426-1](#) [XS8A-0441](#) [859RD04-103R004](#) [860RD04-113R004](#) [860RD04-213R004](#) [1-213245-2](#)