

# PS-6

## 6-mm carbon SMD potentiometer

The PS-6 potentiometer offers control where frequent adjustment is required. The shaftless design allows for employment of different engagement mechanisms, such as a customized shaft, a motor control or a human interface adjustment. This potentiometer can also control variable outputs including frequency, change in motor speed or volume.



### KEY FEATURES

- ▶ Designed for lead-free reflow soldering processes
- ▶ Excellent performance
- ▶ Carbon resistive element
- ▶ Up to 10 mechanical detents
- ▶ 1.000 life cycles
- ▶ IP54 protection
- ▶ Moisture sensitivity level 1
- ▶ Embossed tape packaging
- ▶ Wiper positioned at initial, 50% or fully clockwise
- ▶ Loose and assembled knobs, shafts available separately
- ▶ Self extinguishable plastic UL 94V-0

### ELECTRICAL SPECIFICATIONS

Taper*	Linear
Range of values*	1KΩ ≤ Rn ≤ 1,5MΩ Decad. 1.0-2.0-2.2-2.5-4.7-5.0
Tolerance*	± 30% + 50% / - 30%
1KΩ ≤ Rn ≤ 500KΩ 500KΩ ≤ Rn ≤ 1.5MΩ	
Max voltage	100 VDC
Nominal power @ 50°C	0.1 W
Residual resistance	≤ 0.5% Rn
Equivalent noise resistance	≤ 4.5% Rn
Operating temperature	-40°C to +85°C

\* Others available on request

### MECHANICAL SPECIFICATIONS

Mechanical rotation angle	235° ± 5°
Electrical rotation angle	200° ± 20°
Torque	0.2 to 2 Ncm (0.3 to 2.7 in-oz) > 4 Ncm (>7 in-oz)
Rotational Stop	
Push-pull force over the rotor	> 5 N
Life*	1k cycles

\* Others available on request

### APPLICATIONS

- ▶ Appliance program selection
- ▶ Thermostat adjustment
- ▶ Timer and control relays
- ▶ Consumer electronics
- ▶ Power tool controls
- ▶ Test and measurement equipment

# PS-6

## 6-mm carbon SMD potentiometer

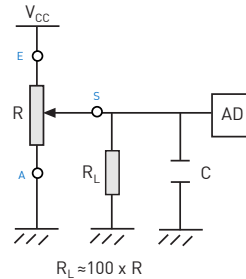
### ENVIRONMENTAL TESTING

	Test conditions (CEI 393-1)	$\Delta R(\%)$ - Typical test results
Electrical life	1.000h at 50°C; 0.25 W	$\pm 10\%$
Mechanical life	1000 cycles at 10 to 15 cpm	$\pm 10\%$
Temperature coefficient	-25° C; +85° C	$\pm 1.500$ ppm/°C
Thermal cycling	16h at 85°C and 2h at -25°C	$\pm 5\%$
Damp heat	500h at 40°C and 95% relative humidity (RH)	$\pm 15\%$
Vibration	2h each plane at 10Hz - 55Hz	$\pm 3\%$
Storage	6 month at 23°C $\pm 2^\circ\text{C}$ and 50% RH	$\pm 5\%$

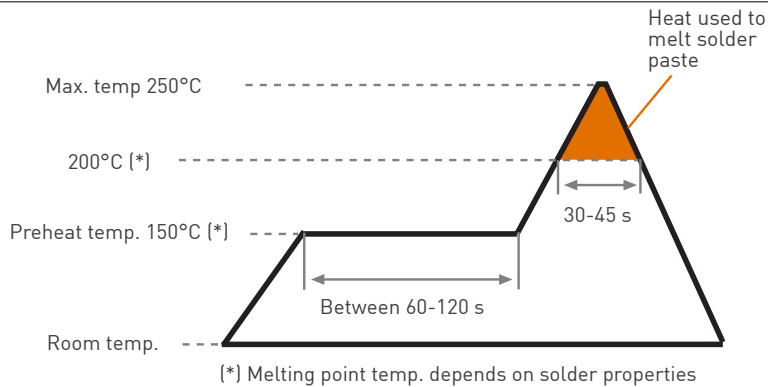
Out of range values may not comply with these results. Standard test conditions: temperature: 23°C  $\pm 2^\circ\text{C}$  and 45% to 70% RH. Mechanical life of detented versions is 100 cycles

### RECOMMENDED CONNECTIONS

Recommended connection circuit for a position sensor or control application (voltage divider circuit electronic design).



### RECOMMENDED REFLOW PROFILE



The recommended reflow profile is provided as a guideline. Optimal profile may differ due to oven type, assembly layout or other design or process variables. Customers should verify actual device performance in their specific application and reflow process. Please contact Piher if you require additional support.

# PS-6

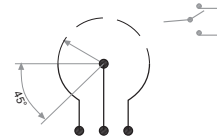
## 6-mm carbon SMD potentiometer

### HOW TO ORDER

Vertical Adjustment - Horizontal mount: PS6KV50-102A3030

PS6		V__	-	---	A	---	-	---	-	---	-	---	---	---
Series	Rotors	Mounting method	$\Omega$ -Value <sup>1</sup>	Taper	Tolerance <sup>2</sup>	Detents <sup>3</sup>	Knob <sup>4</sup>	Wiper position	Knob color	Packaging				
A K M Q W <small>inserted knob</small>	V40 V45 V50 V55	102 = 1K $\Omega$ 202 = 2K $\Omega$ ... 105 = 1M $\Omega$ 155 = 1.5M $\Omega$ 000 = CM	A = linear	2525 = $\pm 25\%$ 3030 = $\pm 30\%$ 5030 = $+50/-30\%$	[empty] P04 P05 P06 P07 P08 P10	[empty] = none 05 = Fig.5 06 = Fig.6	[empty] = initial PM = 50% PF = final	[empty] CR = cream NE = black	[empty] = reel B = bulk					

1.  $\Omega$ - Value: XXX - First two digits of  $\Omega$ -value  
XXX - Number of zeros  
 000 = CM = switch SPDT version:



2. Tolerance: for custom tolerance please check availability  
 3. Detents: Available for K and M rotor type. Rotor color: brown. Others available on request.  
 4. Knob not made of self-extinguishable plastic. Shaft available to order separately.

### STANDARD CONFIGURATION

PS-6	
Life	1.000 cycles / detented versions: 100 cycles
Detents	none
Non-flammable material	yes
Housing color	grey
Wiper Position	initial
Packaging	reel

### ORDER CODE EXAMPLES

PS6KV50-103A3030

PS6 model with K rotor; V50 mounting type; 10K ohm resistive value; linear taper and 30% resistive tolerance

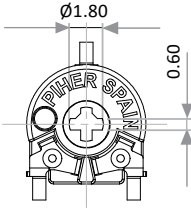
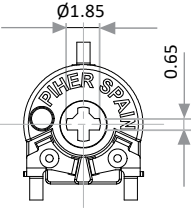
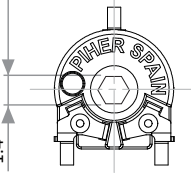
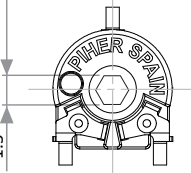
PS6WV40-502A2525-06NE-PF

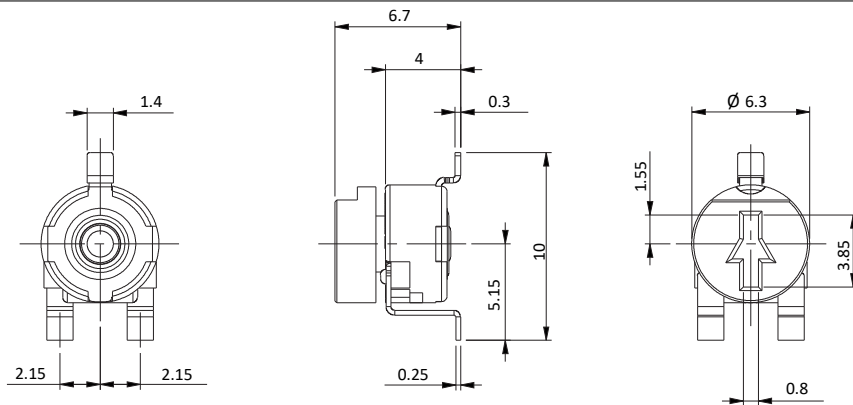
PS6 model with inserted knob fig. 6; 5K ohm resistive value; linear taper; 25% resistive tolerance; color of the knob: black; wiper positioned at the end of the travel

# PS-6

## 6-mm carbon SMD potentiometer

### ROTORS

K Cross slot through hole	Q Cross slot through hole Available in white only	M Hexagonal through hole	A Hexagonal through hole Available in white only
			
<p style="text-align: center;"><b>W</b> With inserted knob (Standard knob: Ref. 6, cream color)</p>			



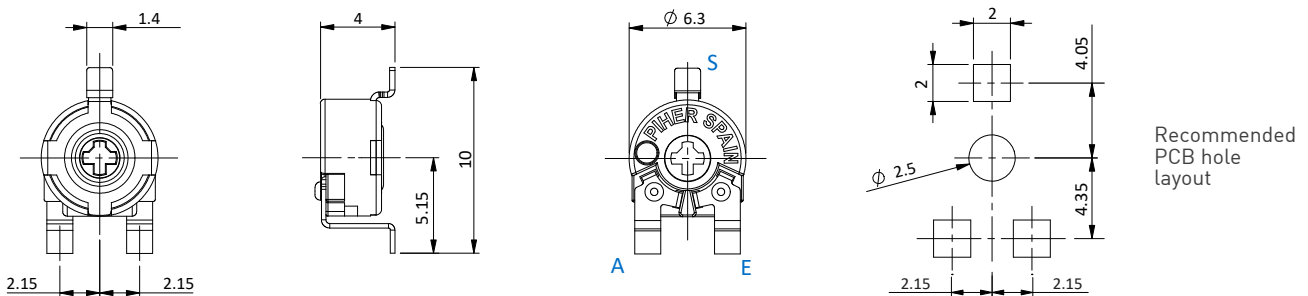
Drawing example W V40 with knob Ref. 6

Default delivery is at initial position. Wipers are shown positioned at 50% for the picture.

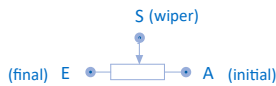
### MOUNTING METHOD - DIMENSIONS

#### Vertical Adjustment / Horizontal Mounting

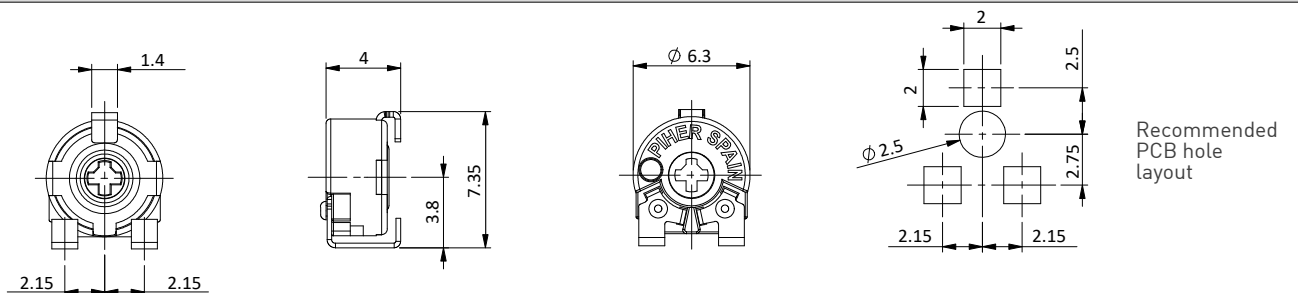
##### V40



Download STEP files here:  
<https://piher.net/piher/?p=897>



##### V45



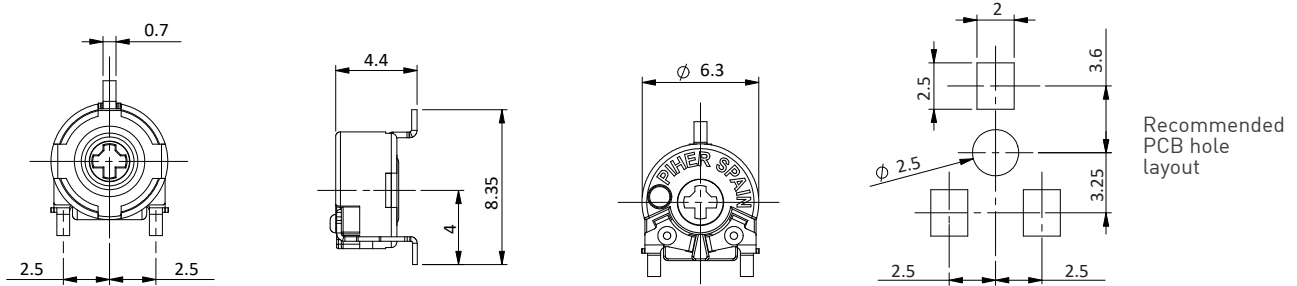
# PS-6

## 6-mm carbon SMD potentiometer

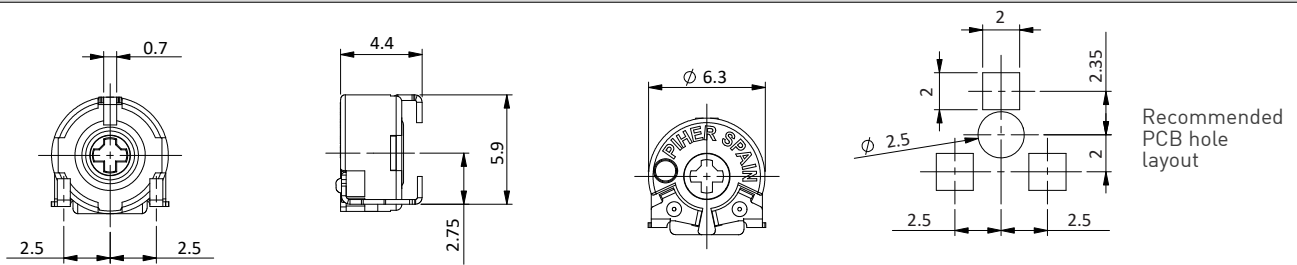
### MOUNTING METHOD - DIMENSIONS

#### Vertical Adjustment / Horizontal Mounting

V50



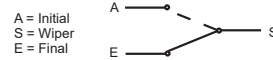
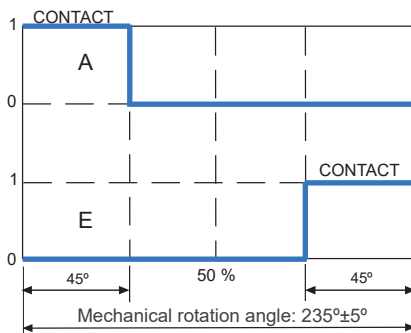
V55



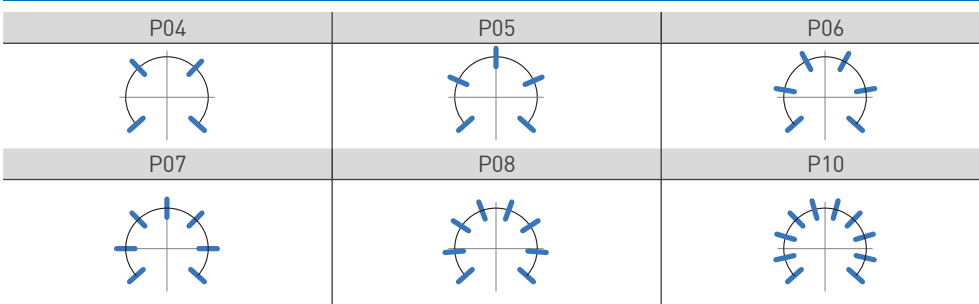
### STANDARD RESISTANCE-VALUES AND TOLERANCES

Resistance $\Omega$	1K	2K	2.2K	2.5K	4.7K	5K	10K	20K	22K	25K	47K	50K	100K	200K	220K	250K	470K	500K	1M	1.5M
Order Code	102	202	222	252	472	502	103	203	223	253	473	503	104	204	224	254	474	504	105	155
Tolerance	$\pm 30\%$																		$+50\%/-30\%$	

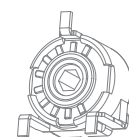
### SWITCH VERSION



### DETENTS / STOP POSITIONS



Relative detent positions along total mechanical travel



Unless otherwise specified the detents are evenly spaced (using the end points as reference). Rotor color of detented versions is brown. Standard mechanical life for PS-6 with detents: 100 cycles. Long life versions are available on request.

# PS-6

## 6-mm carbon SMD potentiometer

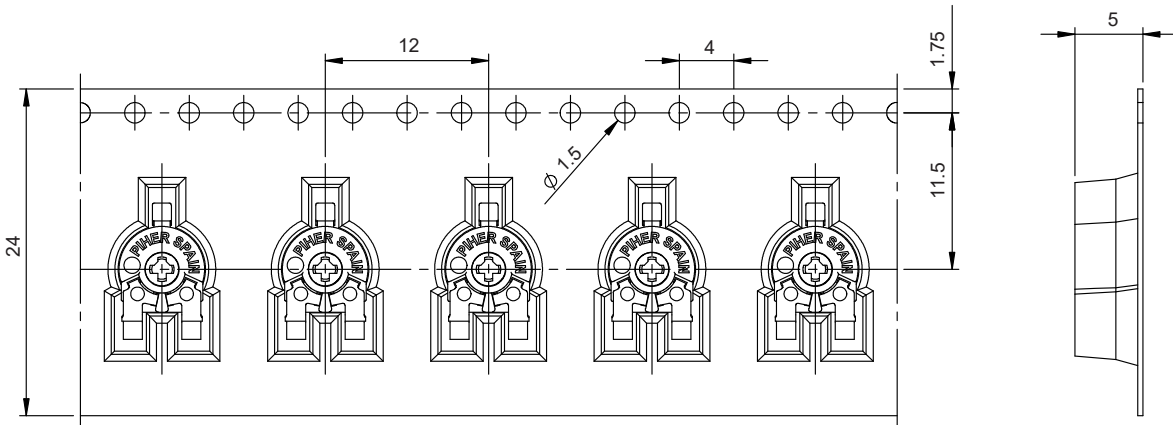
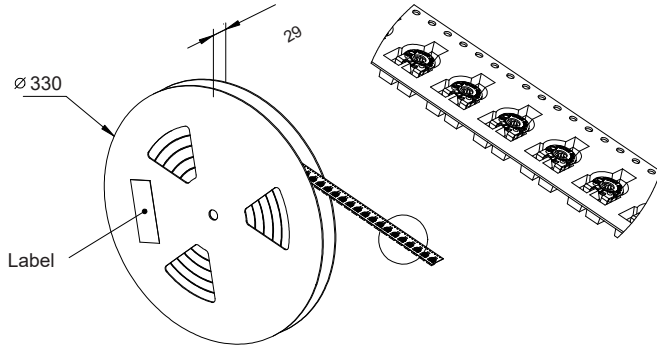
### PACKAGING

#### V40 and V45 models

Bulk (1.000 pcs/box)



Reel - embossed tape (1.000 pcs/reel)

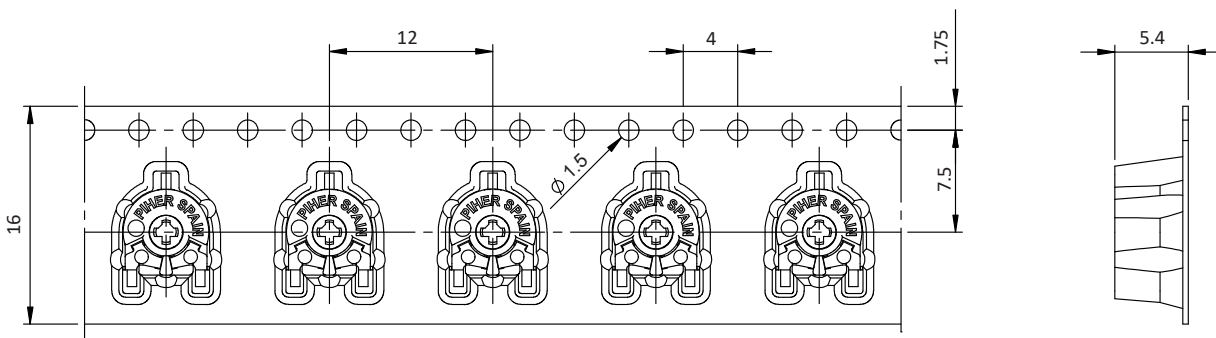
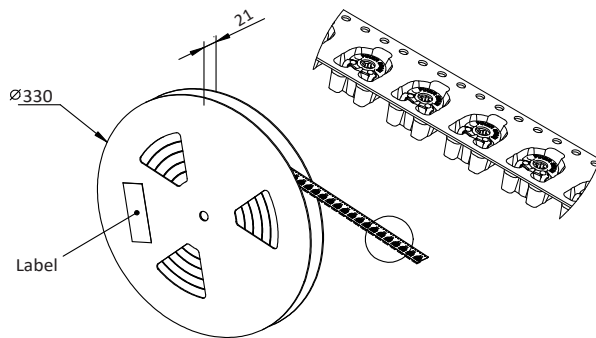


#### V50 and V55 models

Bulk (1.000 pcs/box)



Embossed tape (1.000 pcs/reel)



Models with factory-assembled knob will use a reel of 380mm diameter.

# PS-6

## 6-mm carbon SMD potentiometer

### KNOBS / SHAFTS

Fig. 5 - Ref.: 6148  
For W rotors only.

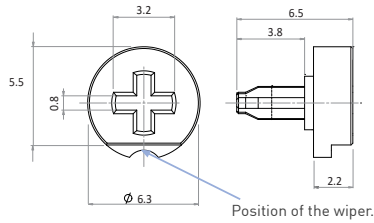
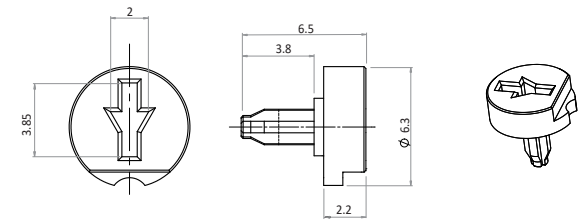
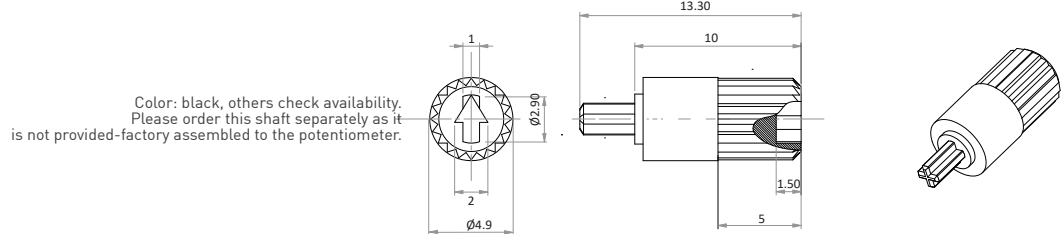


Fig. 6 - Ref.: 6160  
For W rotors only.

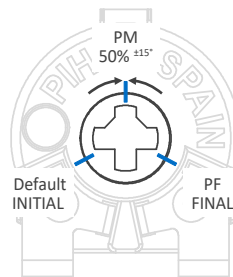


Ref.: 6144  
For K or Q rotor.



If you wish to use your own plastic shaft/knob/actuator please contact Piher Sensing Systems for advice about compatible materials.

### POSITIONING



Wiper positioning on initial position is standard. Special delivery positions available on request.

### OUR ADVANTAGE

- ▶ Leading-edge innovative position sensing solutions
  - ▷ Contactless (Hall-effect and Inductive Technology)
  - ▷ Contacting (Potentiometers, Printed Electronics)
- ▶ Engineering design-in support
- ▶ All our products can be customized to fit target application and customer requirement
- ▶ Capability to move seamlessly from development to true high-volume production
- ▶ A global footprint with global engineering and commercial support
- ▶ One-stop shop not limited to position sensors (temperature, pressure, gas,...) through group collaboration
- ▶ Flexibility and entrepreneurship of a medium-sized company with the backing of Amphenol Corporation



Please always use the latest updated datasheets and 3D models published on our website.

#### Disclaimer:

The product information in this catalog is for reference purposes. Please consult for the most up to date and accurate design information. Piher Sensing Systems S.A., its affiliates, agents, and employees, and all persons acting on its or their behalf (collectively, "Piher"), disclaim any and all liability for any errors, inaccuracies or incompleteness contained herein or in any other disclosure relating to any product described herein. Piher disclaims any and all liability arising out of the use or application of any product described herein or of any information provided herein to the maximum extent permitted by law. The product specifications do not expand or otherwise modify Piher's terms and conditions of sale, including but not limited to the warranty expressed therein, which apply to these products. No license, express or implied, by estoppel or otherwise, to any intellectual property rights is granted by this document or by any conduct of Piher. The products shown herein are not designed for use in medical, life-saving, or life-sustaining applications unless otherwise expressly indicated. Customers using or selling Piher products not expressly indicated for use in such applications do so entirely at their own risk and agree to fully indemnify Piher for any damages arising or resulting from such use or sale. Please contact authorized Piher personnel to obtain written terms and conditions regarding products designed for such applications. Product names and markings noted herein may be trademarks of their respective owners. Information contained in and/or attached to this catalogue may be subject to export control regulations of the European Community, USA, or other countries. Each recipient of this document is responsible to ensure that usage and/or transfer of any information contained in this document complies with all relevant export control regulations. If you are in any doubt about the export control restrictions that apply to this information, please contact the sender immediately. For any Piher Exports, Note: All products / technologies are EAR99 Classified commodities. Exports from the United States are in accordance with the Export Administration Regulations. Diversion contrary to US law is prohibited.

### CONTACT

**Piher Sensing Systems**  
Polígono Industrial Municipal  
Vial T2, Nº22  
31500 Tudela  
Spain

[sales@piher.net](mailto:sales@piher.net)

Europe: +34 948 820 450  
Americas: +1 636 251 0855  
Asia Pacific: +65 9641 8886  
India: +91 9538 686 586

Rev-2311 2021 © 2021 Piher Sensing Systems & Controls S.A.

## X-ON Electronics

Largest Supplier of Electrical and Electronic Components

*Click to view similar products for [Trimmer Resistors - SMD category](#):*

*Click to view products by [Amphenol manufacturer](#):*

Other Similar products are found below :

[43WR5KLFTR](#) [5712-305-403E17](#) [TS3YJ503MR15](#) [TS4YL203MR10](#) [43WR100KLFTR](#) [1806WSMD-5K](#) [G32AT-B101](#) [G32AT-B201](#)  
[G32AT-B203](#) [G32AT-B501](#) [G32AT-B502](#) [G32AT-B503](#) [G32BT-B502](#) [G32BT-B503](#) [G43AT-B201](#) [G43BT-B101](#) [G43SAT1-B101](#)  
[G43SAT1-B102](#) [G43SAT1-B201](#) [G43SAT1-B202](#) [G43SAT1-B501](#) [G43SAT1-B503](#) [PVG5A102C03R00](#) [PVG5A203C03R00](#)  
[35WR5KLFTR](#) [35WR10KLFTR](#) [CA6XVSMD-100KA2525](#) [CA6XVSMD-10KA2525](#) [CA6XVSMD-2K5A2525](#) [1806PSMD-5K](#) [3214G-1-](#)  
[203E](#) [PVG5A103C03R00](#) [PVG5A202C03R00](#) [PVG5A502C03R00](#) [3314G-1-103E](#) [PVG3G103C01R00](#) [PVG3A205C01R00](#)  
[PVG3A200C01R00](#) [PVG3A501C01R00](#) [TC42X-2-104E](#) [PVG5H102C03B00](#) [3214W-1-103G](#) [3224W-2-101E](#) [3361S-1-200GLF](#) [3224W-2-](#)  
[201E](#) [3224W-1-502G](#) [3224W-1-105G](#) [3214X-2-502E](#) [3214X-2-103E](#) [3214W-2-201E](#)