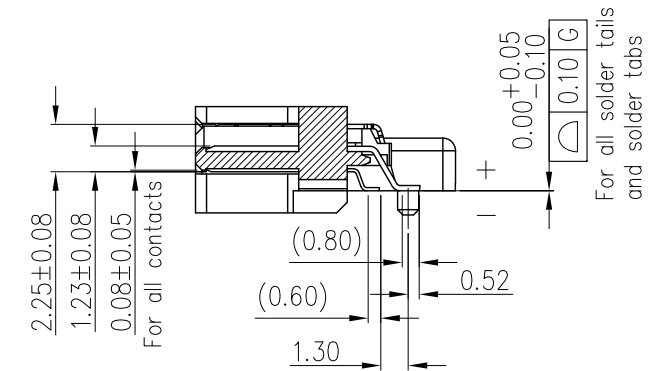
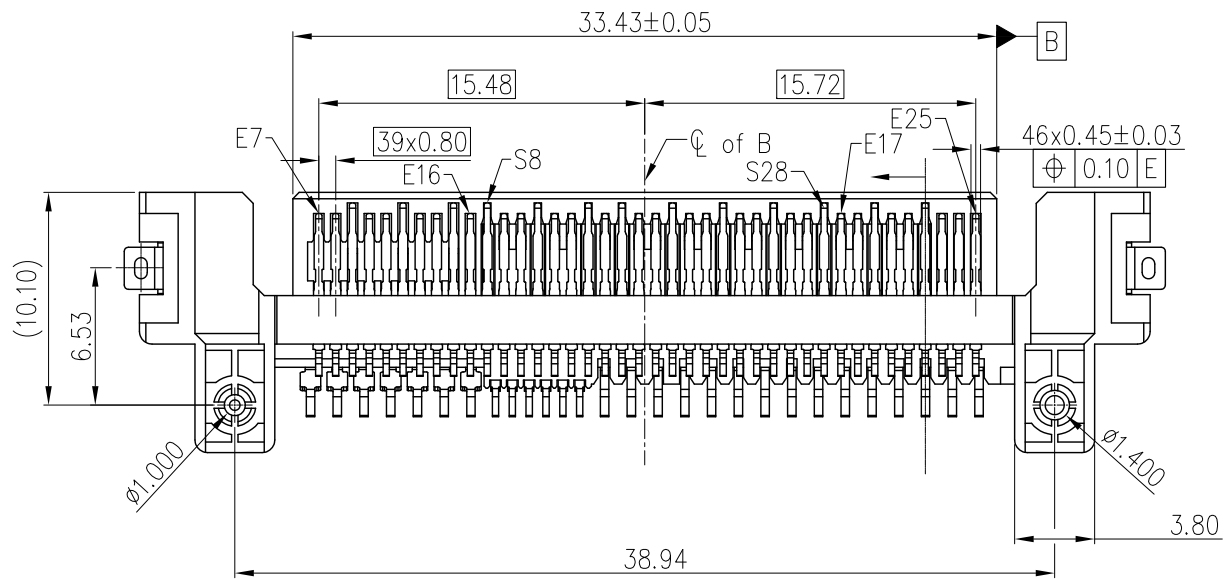
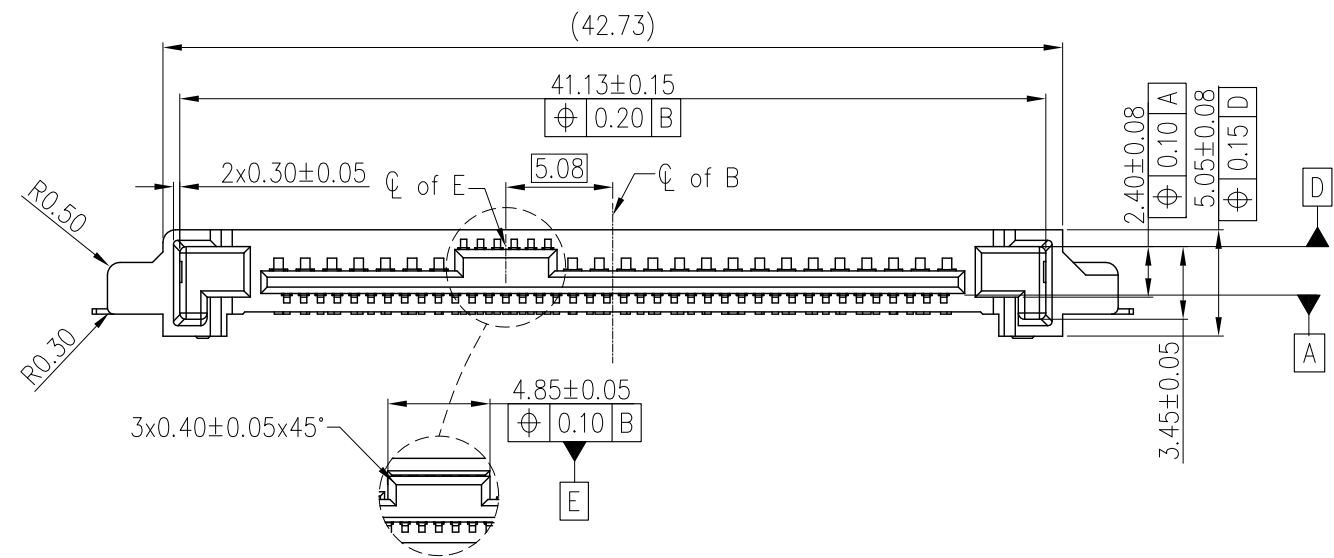
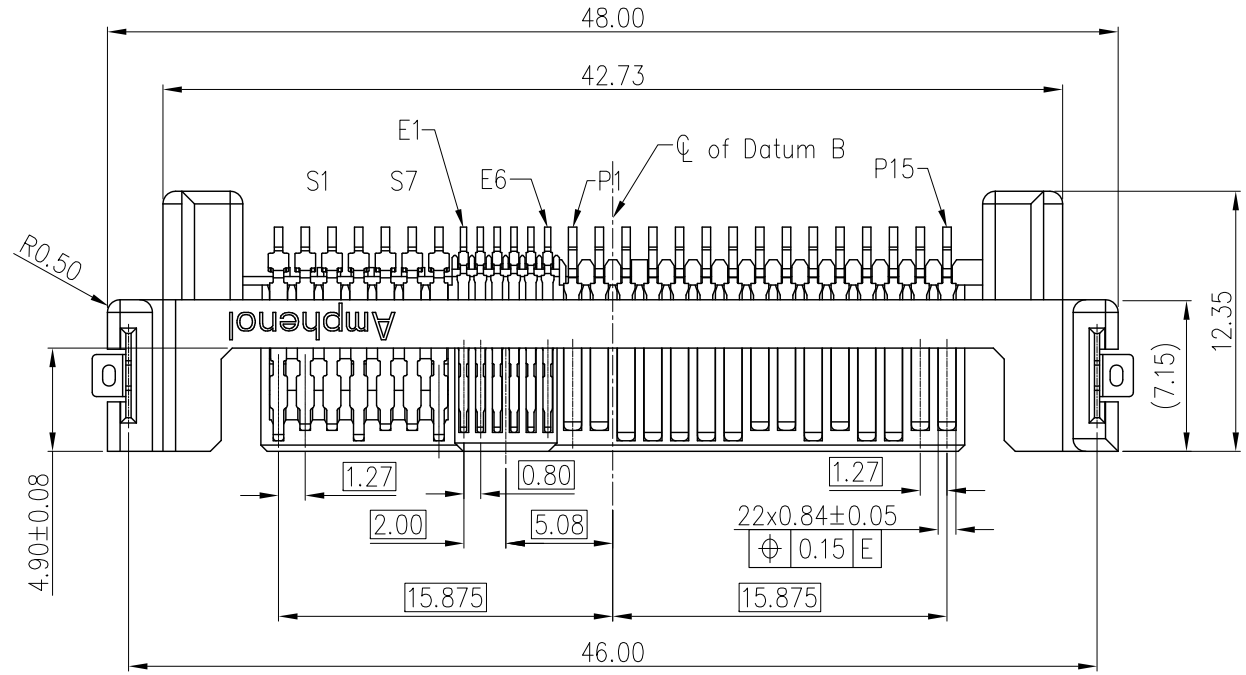
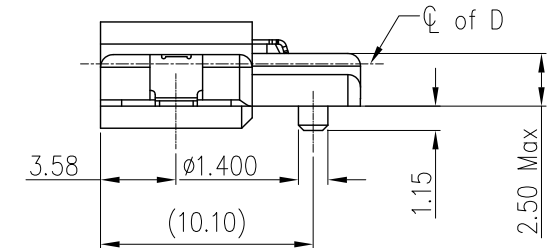


This document is the property of Amphenol Corporation and is delivered on the express condition that it is not to be disclosed, reproduced or used, in whole or in part, for manufacture or sale by anyone other than Amphenol Corporation without its prior consent, & that no right is granted to disclose or to use any information in this document.

REVISIONS				
SYM	ECN	DESCRIPTION	DATE	APPROVED
1	HK----	FIRST RELEASE	11/02/17	IP



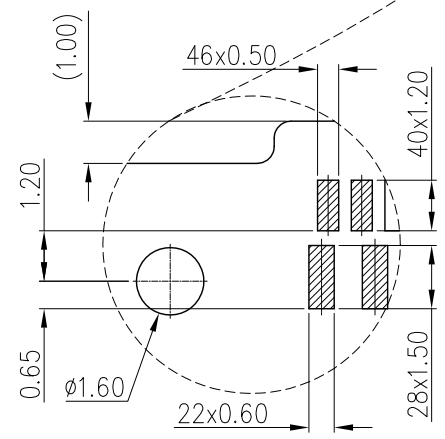
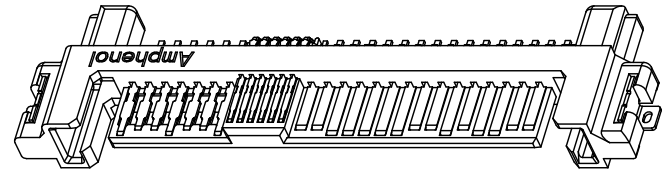
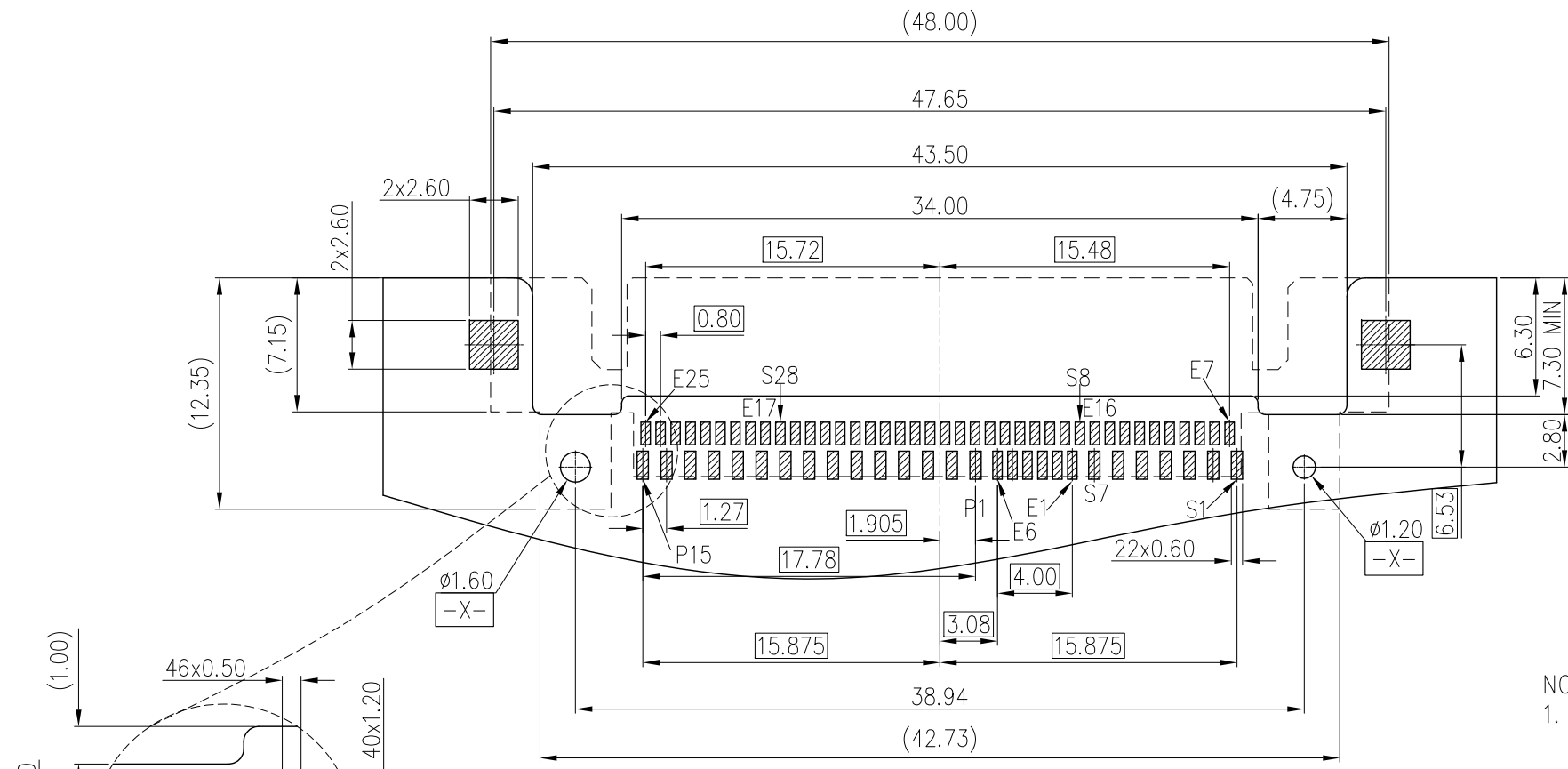
SECTION A-A



UNLESS OTHERWISE SPECIFIED TOLERANCES U.S. METRIC .X +/- 0.50 .XX +/- 0.25 .XXX +/- 0.20 FRACTIONS +/- ANGLES +/- 3° FOR MATERIALS AND FINISHES SEE NOTES REMOVE SHARP EDGES DIMENSIONS U.S. INCHES (METRIC) (MM)	APPROVAL	DATE	Amphenol Amphenol East Asia Limited
	DRAWN: Evan.Dai	11/02/17	
	CHECKED		TITLE
	CHECKED		Customer Drawing For
	DRAWING FILE : PE MASTER\DRAWING\PSAS\PSAS4M213002XXX-1		16G PCIe/SAS R/A SMT Plug Connector
	ANGLE OF PROJECTION		SIZE DRAWING NO.
	[Symbol]		A3 PSAS4M213002XXX
	SCALE	NONE	REV. 1
	SHEET 1 OF 3		

This document is the property of Amphenol Corporation and is delivered on the express condition that it is not to be disclosed, reproduced or used, in whole or in part, for manufacture or sale by anyone other than Amphenol Corporation without its prior consent, & that no right is granted to disclose or to use any information in this document.

REVISIONS				
SYM	ECN	DESCRIPTION	DATE	APPROVED
		REFER TO SHEET 1		



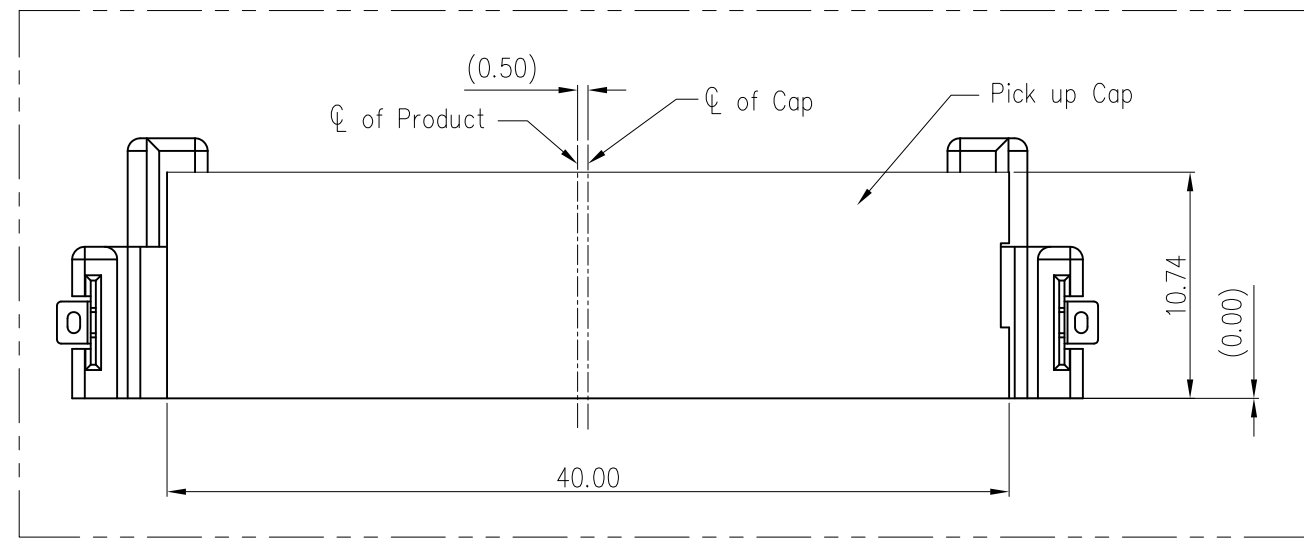
Scale 2:1

RECOMMENDED PCB LAYOUT  
GENERAL TOLERANCE ±0.05

NOTES:

- Material housing: High temperature thermoplastic UL94V-0, color: black.  
Contact: Brass  
Plating: Refer to P/N system on mating area.  
1.27~2.54um Nickel underplate overall.  
2.54~5.08um matte pure Tin on solder tail.
- Electrical specification:
  - 2.1 Current rating: 1.5A (Power section).
  - 2.2 Contact resistance: 30mΩ MAX.
  - 2.3 Insulator resistance: 1000MΩ MIN.
  - 2.4 Dielectric withstanding voltage: 500 VAC
  - 2.5 Operation temperature: -0°C~+55°C
- Dimensioning shall be interpreted per ASME Y14.5M 1994
- Material should be fulfilled Amphenol SPEC.# S-SN-002, for halogen free products,also need to meet S-SN-004
- Order p/n system : PSAS4M213002XXX

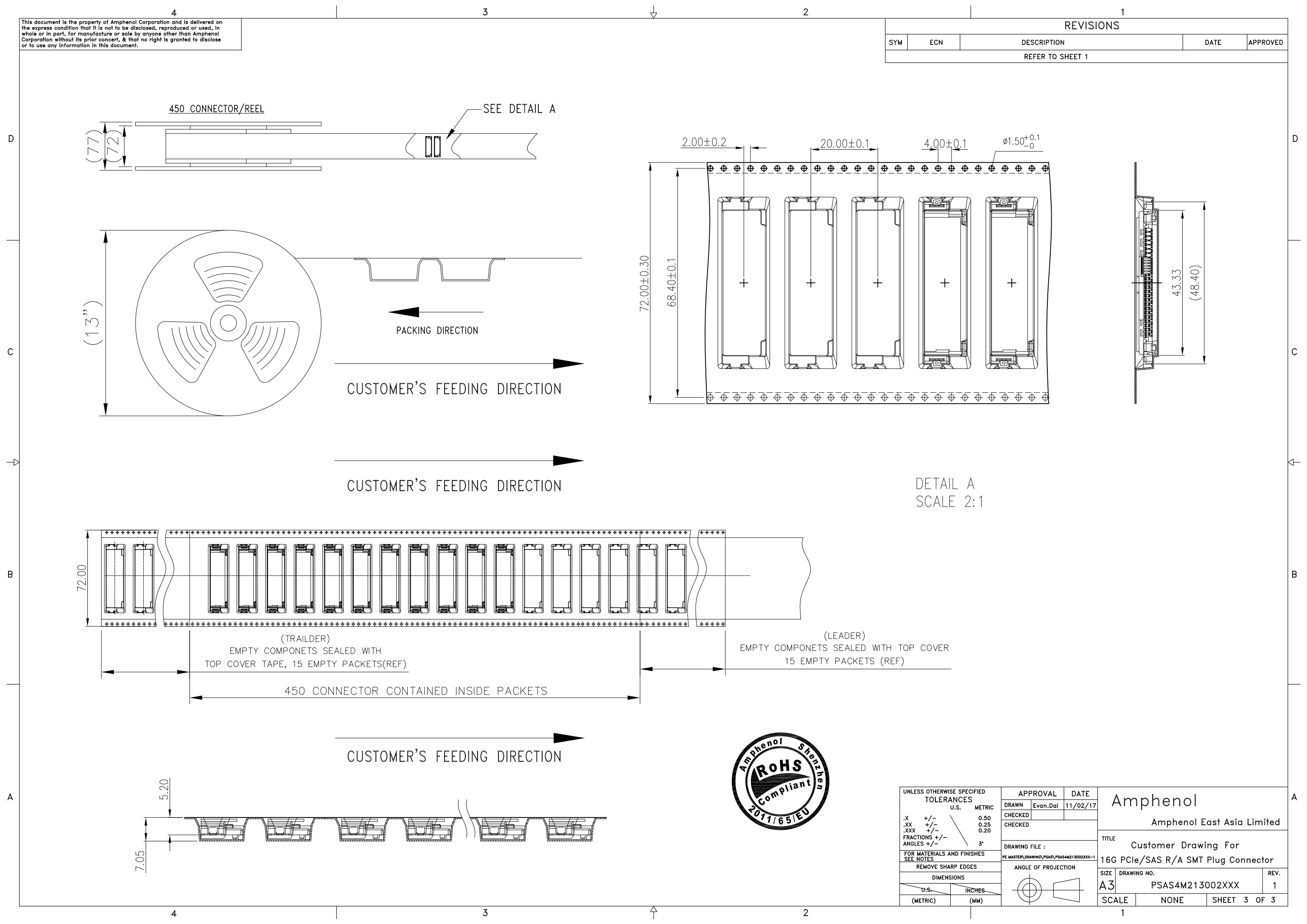
MATING AREA PLATING ——— PACKING STYLE  
 1- 0.76um MIN Au. NIL- TRAY  
 2- 0.38um MIN Au. TR- TAPE AND REEL WITH CAP  
 3- Gold Flash  
 4- G/F Over PdNi



UNLESS OTHERWISE SPECIFIED TOLERANCES	U.S.	METRIC	APPROVAL	DATE	Amphenol
	.X +/-	0.50			
	.XX +/-	0.25	CHECKED		Amphenol East Asia Limited
	.XXX +/-	0.20	CHECKED		
	FRACTIONS +/-		DRAWING FILE :		
	ANGLES +/-	3°	PE MASTER/DRAWING/PSAS/PSAS4M213002XXX-1		
FOR MATERIALS AND FINISHES SEE NOTES	REMOVE SHARP EDGES		ANGLE OF PROJECTION		
DIMENSIONS		U.S. INCHES		TITLE	
(METRIC) (MM)		(INCHES)		Customer Drawing For	
				16G PCIe/SAS R/A SMT Plug Connector	
				SIZE	DRAWING NO.
				A3	PSAS4M213002XXX
				SCALE	NONE
				SHEET 2 OF 3	
				REV.	1

This document is the property of Amphenol Corporation and is delivered on the express condition that it is not to be disclosed, reproduced or used, in whole or in part, for manufacture or sale by anyone other than Amphenol Corporation without its prior consent, & that no right is granted to disclose or to use any information in this document.

REVISIONS				
SYM	ECN	DESCRIPTION	DATE	APPROVED
REFER TO SHEET 1				



CUSTOMER'S FEEDING DIRECTION

DETAIL A  
SCALE 2:1

(TRAILER)  
EMPTY COMPONENTS SEALED WITH  
TOP COVER TAPE, 15 EMPTY PACKETS(REF)

(LEADER)  
EMPTY COMPONENTS SEALED WITH TOP COVER  
15 EMPTY PACKETS (REF)

450 CONNECTOR CONTAINED INSIDE PACKETS

CUSTOMER'S FEEDING DIRECTION



UNLESS OTHERWISE SPECIFIED TOLERANCES U.S. METRIC .X +/- 0.50 .XX +/- 0.25 .XXX +/- 0.20 FRACTIONS +/- ANGLES +/- 3°	APPROVAL	DATE
	DRAWN Evan.Dai	11/02/17
	CHECKED	
	CHECKED	
FOR MATERIALS AND FINISHES SEE NOTES	DRAWING FILE :	
REMOVE SHARP EDGES	PE MASTER\DRAWING\PSAS\PSAS4M213002XXX-1	
DIMENSIONS	ANGLE OF PROJECTION	
U.S. INCHES		
(METRIC) (MM)		

Amphenol		
Amphenol East Asia Limited		
TITLE Customer Drawing For		
16G PCIe/SAS R/A SMT Plug Connector		
SIZE	DRAWING NO.	REV.
A3	PSAS4M213002XXX	1
SCALE	NONE	SHEET 3 OF 3

## X-ON Electronics

Largest Supplier of Electrical and Electronic Components

*Click to view similar products for [I/O Connectors](#) category:*

*Click to view products by [Amphenol](#) manufacturer:*

Other Similar products are found below :

[571763P](#) [61-168618-12P](#) [D20419-211](#) [D38999/24FG11SN L/C](#) [72.250.1628.2](#) [72.250.2428.2](#) [76.350.0729.0](#) [76871-1403](#) [PCR-E36PM](#) [PCS-XE26LKA](#) [PCS-XES68MS+](#) [G38A71314B](#) [9776-18-6](#) [DX40-50P\(55\)](#) [1571250010](#) [157-22500-3](#) [MS3471L14-19P L/C](#) [192991-0703](#) [91-569786-35H](#) [172501-6002](#) [FCN-260C008-A/L0](#) [FCN-260C024-AL0](#) [FCN-261Z008](#) [2000314-1](#) [200331-1](#) [PCS-E28FS+](#) [PCS-XE26SLFD+](#) [PCS-XE26SLFDT+](#) [G730VID08BDC24](#) [HDMR-29-01-S-SM-TR](#) [HDRA-E68W1LFDTC-SL+](#) [54182-0605](#) [U90B2054081210](#) [UE86K842720321](#) [38113800006](#) [DP3AR020WQ1R200](#) [Z4.102.0680.0](#) [500-1040](#) [500-1052](#) [500-1054](#) [ZP-4008-66L](#) [10-565995-597N](#) [DX40-20P\(55\)](#) [5554841-1](#) [SM3106F14S-7S-LC](#) [SM3106R18-18S](#) [U90B3054061110](#) [U65-E04-4020](#) [ZPF000000000097891](#) [557-262M2-06C](#)