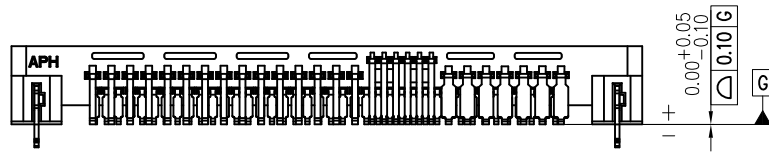
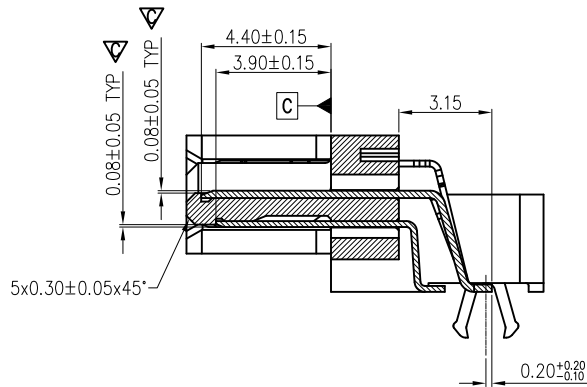
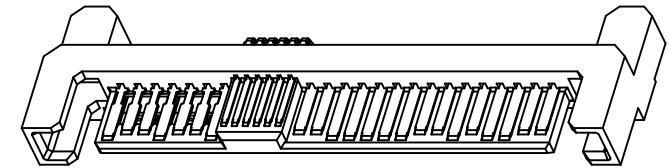


This document is the property of Amphenol Corporation and is delivered on the express condition that it is not to be disclosed, reproduced or used, in whole or in part, for manufacture or sale by anyone other than Amphenol Corporation without its prior consent, & that no right is granted to disclose or to use any information in this document.

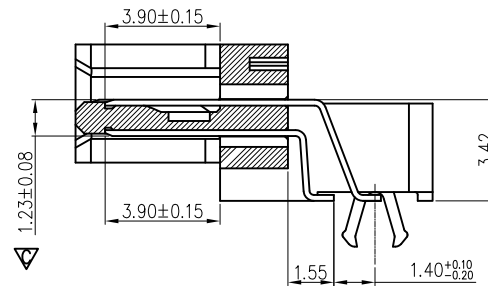
REVISIONS				
SYM	ECN	DESCRIPTION	DATE	APPROVED
		REFER TO SHEET 1		



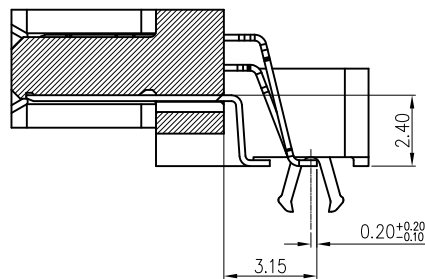
FOR ALL SOLDER TAILS & STAND-OFF SURFACE



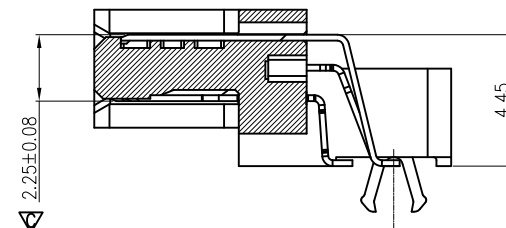
SECTION A-A



SECTION B-B



SECTION C-C



SECTION D-D

NOTES:

- MATERIAL HOUSING: HIGH TEMPERATURE THERMOPLASTIC UL94V-0, COLOR: BLACK.
CONDUCTIVE PLASTIC: LIQUID CRYSTAL POLYMER, UL94V-0, COLOR: BLACK.
CONTACT: COPPER ALLOY
PLATING: REFER TO P/N SYSTEM ON MATING AREA.
1.27~2.54um NICKEL UNDERPLATE OVERALL.
2.54~5.08um MATTE PURE TIN ON SOLDER TAIL.
BOARD LOCK: PHOSPHOR BRONZE, 2.54um MIN. MATTE-TIN PLATED OVERALL, 1.27um MIN. NICKEL UNDERPLATE
- ELECTRICAL SPECIFICATION:
 - CURRENT RATING: 1.5A (POWER SECTION).
 - CONTACT RESISTANCE: 30mΩ MAX.
 - INSULATOR RESISTANCE: 1000MΩ MIN.
 - DIELECTRIC WITHSTANDING VOLTAGE: 500 VAC
 - OPERATION TEMPERATURE: -40°C~+125°C
- DIMENSIONING SHALL BE INTERPRETED PER ASME Y14.5M 1994
- DIMENSIONS MARKED WITH A TRIANGLE ARE THE CRITICAL DIMENSIONS TO FUNCTION.
- MATERIAL SHOULD BE FULFILLED AMPHENOL SPEC.# S-SN-002, FOR HALOGEN FREE PRODUCTS, ALSO NEED TO MEET S-SN-004
- IMPEDANCE: 85 ohm +/-10% WITH RISE TIME 23ps(20%~80%)
- ORDER P/N SYSTEM : PSAS4M213018XXX

MATING AREA PLATING

- 0.76um MIN Au.
- 0.38um MIN Au.
- GOLD FLASH
- C/F OVER PdNi

PACKING STYLE

- NIL- TRAY
- TR- TAPE AND REEL WITH CAP
- NT- TAPE AND REEL W/O CAP

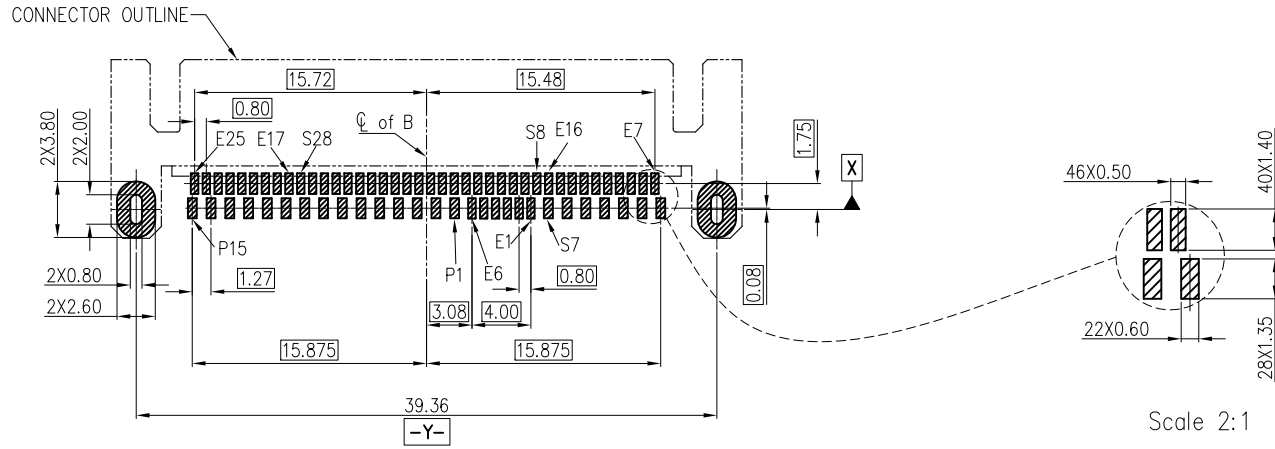
HF(无卤)	✓
Non-HF(有卤)	



UNLESS OTHERWISE SPECIFIED TOLERANCES		APPROVAL	DATE	Amphenol
U.S. METRIC		DRAWN Jimmy.zhou	03/14/20	
X	+/- 0.20	CHECKED		Amphenol East Asia Limited
.XX	+/- 0.15	CHECKED		
.XXX	+/- 0.10			TITLE
FRACTIONS +/-				PCIE/SAS R/A SMT 68 PIN PLUG
ANGLES +/-	3°			SIZE DRAWING NO.
FOR MATERIALS AND FINISHES SEE NOTES		DRAWING FILE :		A3 PSAS4M213018XXX
REMOVE SHARP EDGES		ANGLE OF PROJECTION		REVISION
DIMENSIONS				7
U.S. INCHES				SCALE NONE
(METRIC) (MM)				SHEET 2 OF 4

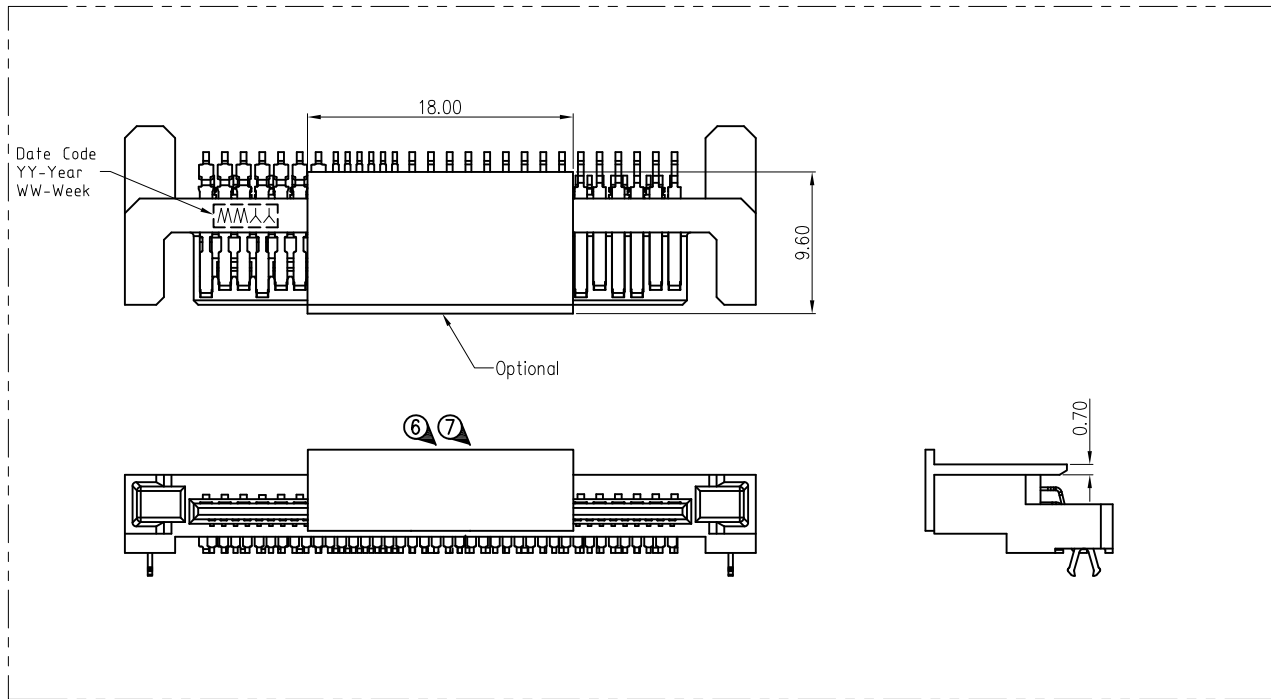
This document is the property of Amphenol Corporation and is delivered on the express condition that it is not to be disclosed, reproduced or used, in whole or in part, for manufacture or sale by anyone other than Amphenol Corporation without its prior consent, & that no right is granted to disclose or to use any information in this document.

REVISIONS				
SYM	ECN	DESCRIPTION	DATE	APPROVED
		REFER TO SHEET 1		



RECOMMENDED PCB LAYOUT
THICKNESS: 1.00mm/GENERAL TOLERANCE ±0.05

Scale 2:1

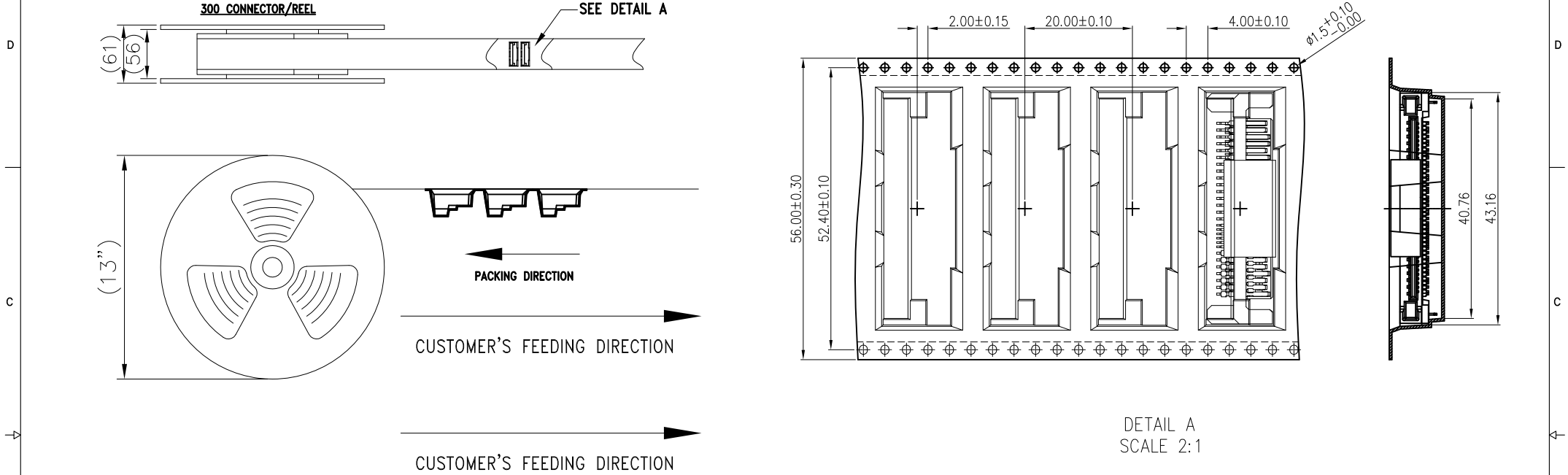


HF(无卤)	√
Non-HF(有卤)	

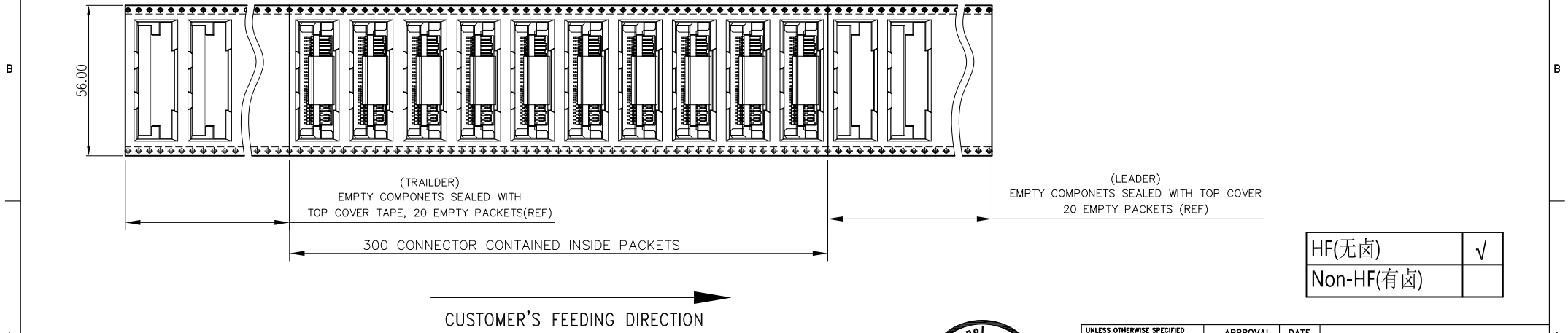
UNLESS OTHERWISE SPECIFIED TOLERANCES U.S. METRIC .X +/- 0.20 .XX +/- 0.15 .XXX +/- 0.10 FRACTIONS +/- ANGLES +/- 3° REMOVE SHARP EDGES DIMENSIONS U.S. INCHES (METRIC) (MM)	APPROVAL	DATE	Amphenol Amphenol East Asia Limited TITLE PCIE/SAS R/A SMT 68 PIN PLUG SIZE DRAWING NO. A3 PSAS4M213018XXX SCALE NONE SHEET 3 OF 4	
	DRAWN	Jimmy.zhou		03/14/20
	CHECKED			
	CHECKED			
FOR MATERIALS AND FINISHES SEE NOTES	DRAWING FILE :		REV. 7	

This document is the property of Amphenol Corporation and is delivered on the express condition that it is not to be disclosed, reproduced or used, in whole or in part, for manufacture or sale by anyone other than Amphenol Corporation without its prior consent, & that no right is granted to disclose or to use any information in this document.

REVISIONS				
SYM	ECN	DESCRIPTION	DATE	APPROVED
REFER TO SHEET 1				



DETAIL A
SCALE 2:1



HF(无卤)	√
Non-HF(有卤)	



<small>UNLESS OTHERWISE SPECIFIED TOLERANCES</small> U.S. METRIC .X +/- 0.20 .XX +/- 0.15 .XXX +/- 0.10 FRACTIONS +/- ANGLES +/- 3° <small>FOR MATERIALS AND FINISHES SEE NOTES</small> REMOVE SHARP EDGES DIMENSIONS U.S. INCHES (METRIC) (MM)	<small>APPROVAL</small> DRAWN Jimmy.zhou 12/27'21 CHECKED Xiang.wang 12/27'21 CHECKED <small>DRAWING FILE :</small>	<small>DATE</small> 12/27'21	Amphenol Amphenol East Asia Limited <small>TITLE</small> PCIE/SAS R/A SMT 68 PIN PLUG <small>SIZE DRAWING NO.</small> A3 PSAS4M213018XXX <small>SCALE</small> NONE <small>REV.</small> 7 SHEET 4 OF 4
	<small>ANGLE OF PROJECTION</small> 		
	<small>REMOVE SHARP EDGES</small>		
	<small>DIMENSIONS</small> U.S. INCHES (METRIC) (MM)		

X-ON Electronics

Largest Supplier of Electrical and Electronic Components

Click to view similar products for [I/O Connectors](#) category:

Click to view products by [Amphenol](#) manufacturer:

Other Similar products are found below :

[571763P](#) [59811-0000](#) [61-168618-12P](#) [D20419-211](#) [D38999/20FJ24PA L/C](#) [76871-1403](#) [PCR-E36PM](#) [PCS-XE26LKA](#) [PCS-XES68MS+](#)
[G38A71314B](#) [DX40-50P\(55\)](#) [1571250010](#) [157-22500-3](#) [MS3471L14-19P L/C](#) [192991-0703](#) [FCN-260C008-A/L0](#) [FCN-260C024-AL0](#) [FCN-](#)
[261Z008](#) [2000314-1](#) [200331-1](#) [PCS-E28FS+](#) [PCS-XE26SLFD+](#) [PCS-XE26SLFDT+](#) [G730VID08BDC24](#) [HDR-E14MSG1+](#) [54182-0605](#)
[UE86K842720321](#) [38113800006](#) [DP3AR020WQ1R200](#) [DRA-26PC-F0R](#) [Z4.102.0680.0](#) [500-1040](#) [500-1052](#) [DX40-20P\(55\)](#) [5554841-1](#)
[SM3100F14S-12P](#) [U90B3054061110](#) [U65-E04-4020](#) [557-262M2-06C](#) [60-042222-02S](#) [10099439-003C-TRLF](#) [226-0348-000](#) [10137239-](#)
[0011LF](#) [70.060.1028.0](#) [109029-ZZ](#) [HDR-E26MG1+](#) [SO-0715-02-01-02](#) [GT1-DA04CST](#) [231-303](#) [MS3112E16-8SX](#)