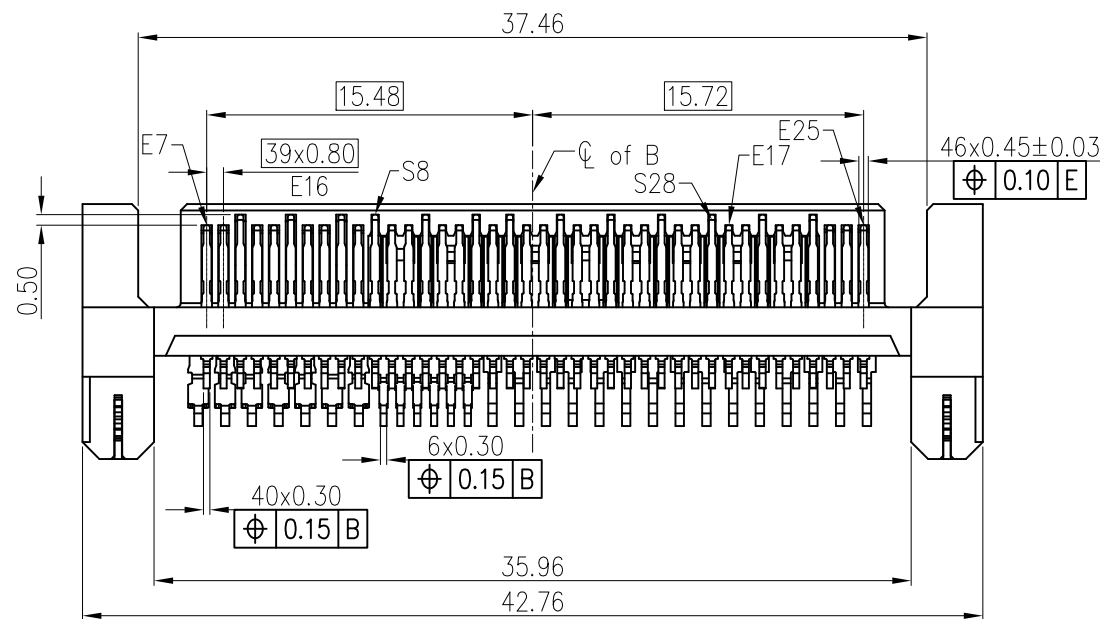
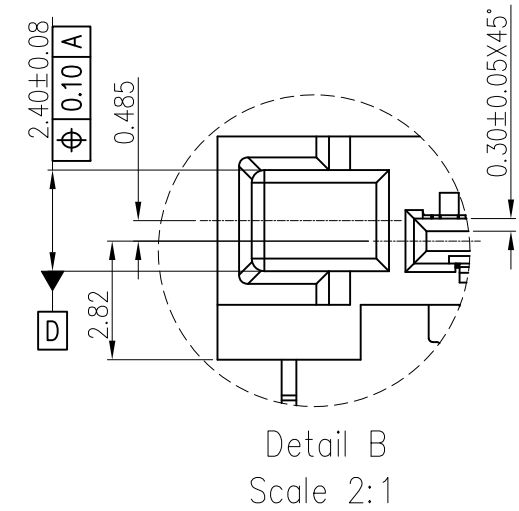
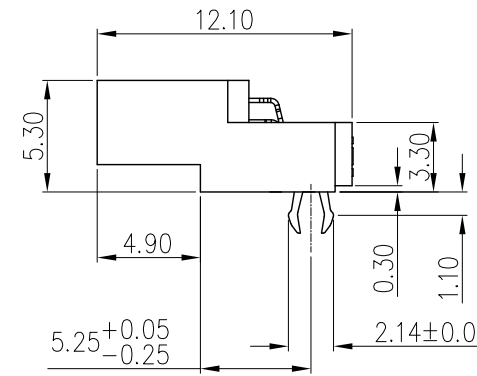
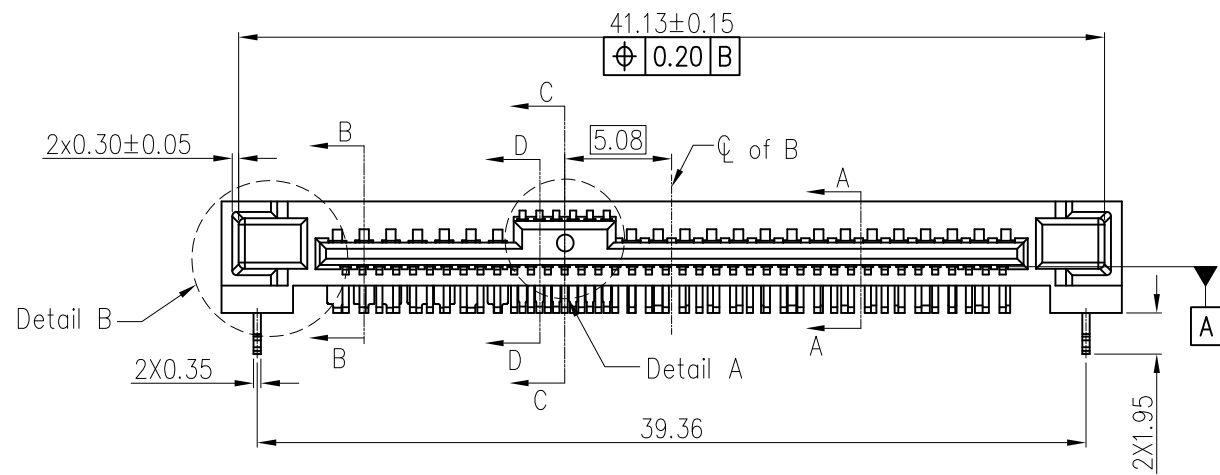
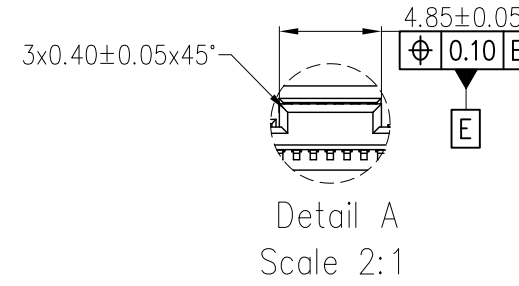
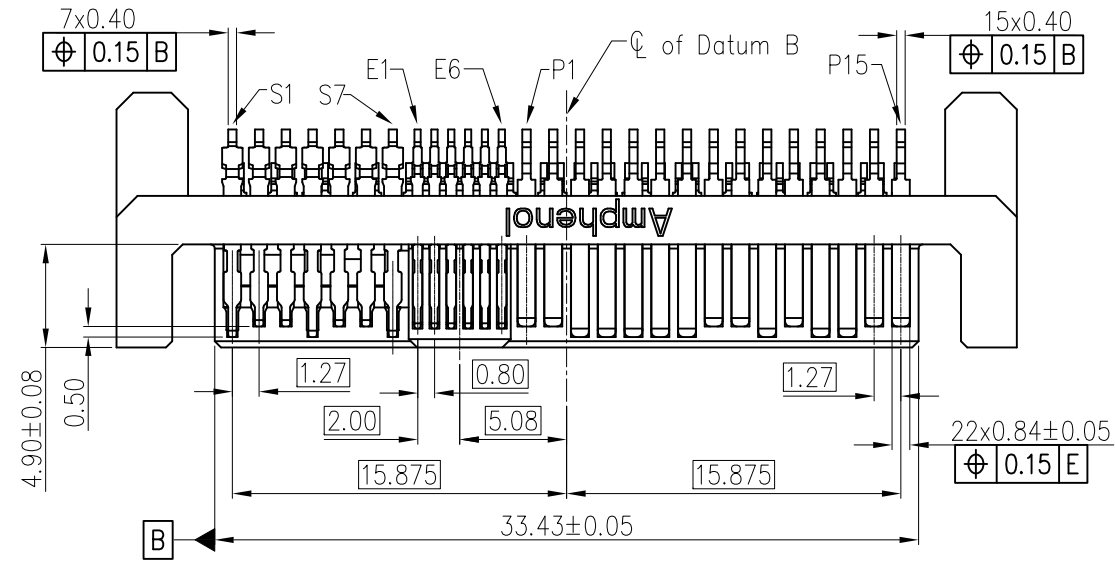


This document is the property of Amphenol Corporation and is delivered on the express condition that it is not to be disclosed, reproduced or used, in whole or in part, for manufacture or sale by anyone other than Amphenol Corporation without its prior consent, & that no right is granted to disclose or to use any information in this document.

REVISIONS

SYM	ECN	DESCRIPTION	DATE	APPROVED
1	HK---	FIRST RELEASE	12/21/15	IP
2	HK---	CHANGE THE P/N BY CUSTOMER REQ	11/10/16	IP
3	HK---	CHANGE THE MATERIAL OF BOARD LOCK	06/27/17	IP
4	HK---	UPDATE DRAWING: REMOVE CORE-OUT ON TOUGUE	07/06/17	IP
5	HK---	UPDATE DRAWING: REMOVE STEP ON STAND-OFF AREA	07/12/17	IP
6	HK---	UPDATE DRAWING: ADD PACKAGE DRAWING	11/13/17	IP
7	HK---	UPDATE DRAWING: ADD BACK STEP ON STAND-OFF AREA	12/08/17	IP
8	HK---	UPDATE DRAWING: ADD DIMENSIONS OF BOARD LOCK	04/27/18	IP

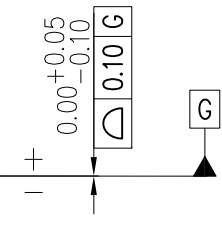
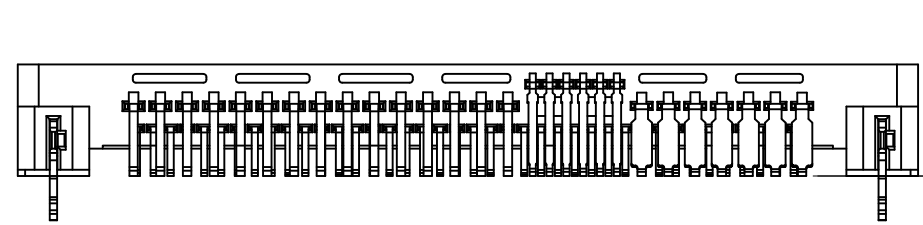


UNLESS OTHERWISE SPECIFIED TOLERANCES		APPROVAL	DATE
.X	+/-	DRAWN	Evan.Dai
.XX	+/-	CHECKED	04/27/18
.XXX	+/-	CHECKED	
FRACTIONS	+/-	DRAWING FILE :	
ANGLES	+/-	PE MASTER\DRAWING\PSAS\PSASM213041XXX-8	
REMOVE SHARP EDGES		ANGLE OF PROJECTION	
DIMENSIONS			
U.S.	INCHES		
(METRIC)	(MM)		

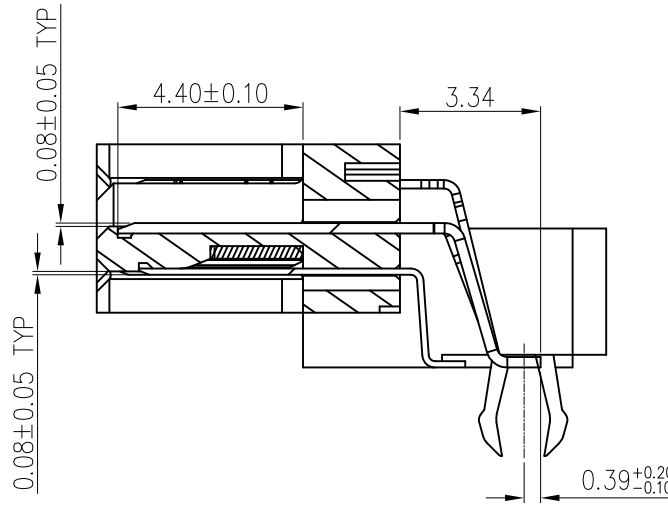
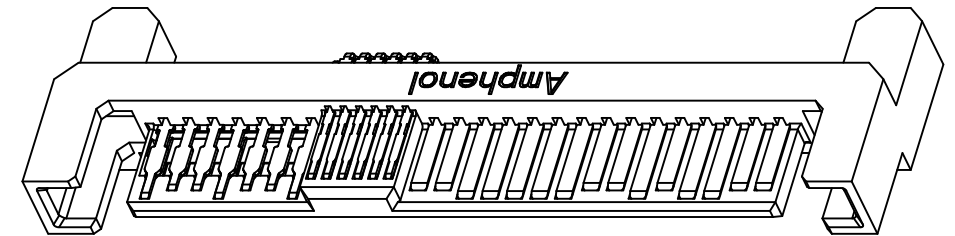
Amphenol		
Amphenol East Asia Limited		
TITLE Customer Drawing For PCIe SAS R/A SMT Plug Connector		
SIZE	DRAWING NO.	REV.
A3	PSASM213041XXX	8
SCALE	NONE	SHEET 1 OF 4

This document is the property of Amphenol Corporation and is delivered on the express condition that it is not to be disclosed, reproduced or used, in whole or in part, for manufacture or sale by anyone other than Amphenol Corporation without its prior consent, & that no right is granted to disclose or to use any information in this document.

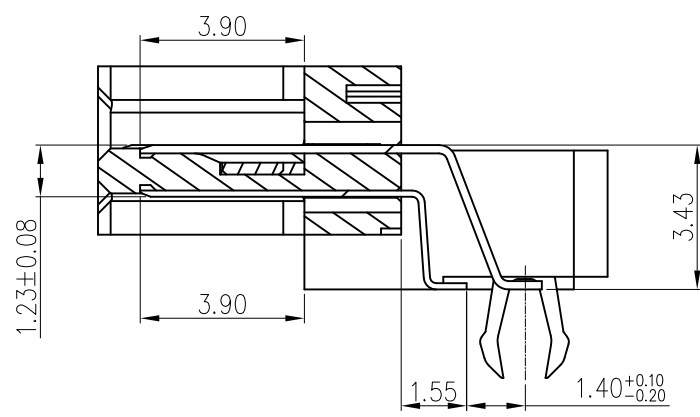
REVISIONS				
SYM	ECN	DESCRIPTION	DATE	APPROVED
		REFER TO SHEET 1		



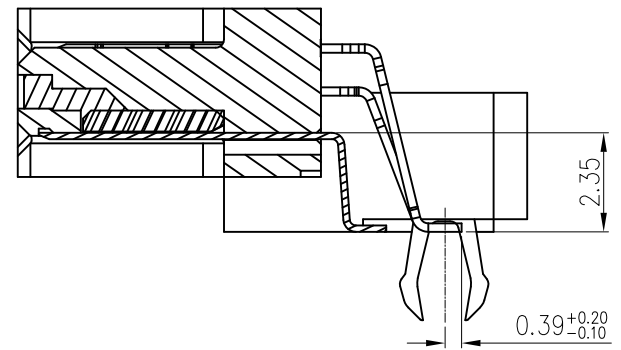
FOR ALL SOLDER TAILS & STAND-OFF SURFACE



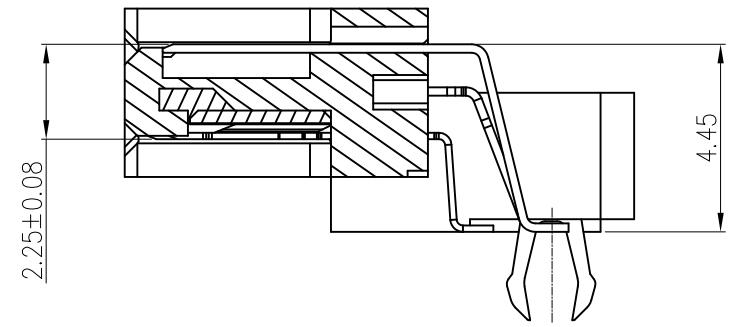
SECTION A-A



SECTION B-B



SECTION C-C



SECTION D-D

NOTES:

- Material housing: High temperature thermoplastic UL94V-0, color: black.
Contact: Brass
Plating: Refer to P/N system on mating area.
1.27~2.54um Nickel underplate overall.
2.54~5.08um matte pure Tin on solder tail.
Board lock: phosphor bronze, 2.54um Min. matte-tin plated overall 1.27um Min. nickel underplate
- Electrical specification:
 - Current rating: 1.5A (Power section).
 - Contact resistance: 30mΩ MAX.
 - Insulator resistance: 1000MΩ MIN.
 - Dielectric withstanding voltage: 500 VAC
 - Operation temperature: -40°C~+125°C
- Dimensioning shall be interpreted per ASME Y14.5M 1994
- Material should be fulfilled Amphenol SPEC.# S-SN-002, for halogen free products, also need to meet S-SN-004
- Order p/n system : PSASM213041XXX

MATING AREA PLATING	PACKING STYLE
1- 0.76um MIN Au.	NIL- TRAY
2- 0.38um MIN Au.	TR- TAPE AND REEL WITH CAP
3- Gold Flash	
4- G/F Over PdNi	



UNLESS OTHERWISE SPECIFIED TOLERANCES U.S. METRIC .X +/- 0.50 .XX +/- 0.25 .XXX +/- 0.20 FRACTIONS +/- ANGLES +/- 3°	APPROVAL	DATE	Amphenol Amphenol East Asia Limited
	DRAWN Evan.Dai	04/27/18	
FOR MATERIALS AND FINISHES SEE NOTES	CHECKED		TITLE Customer Drawing For PCIe SAS R/A SMT Plug Connector
REMOVE SHARP EDGES	CHECKED		SIZE DRAWING NO. A3 PSASM213041XXX
DIMENSIONS U.S. INCHES (METRIC) (MM)	ANGLE OF PROJECTION		REV. 8
			SCALE NONE SHEET 2 OF 4

This document is the property of Amphenol Corporation and is delivered on the express condition that it is not to be disclosed, reproduced or used, in whole or in part, for manufacture or sale by anyone other than Amphenol Corporation without its prior consent, & that no right is granted to disclose or to use any information in this document.

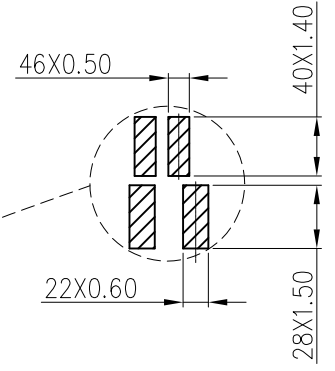
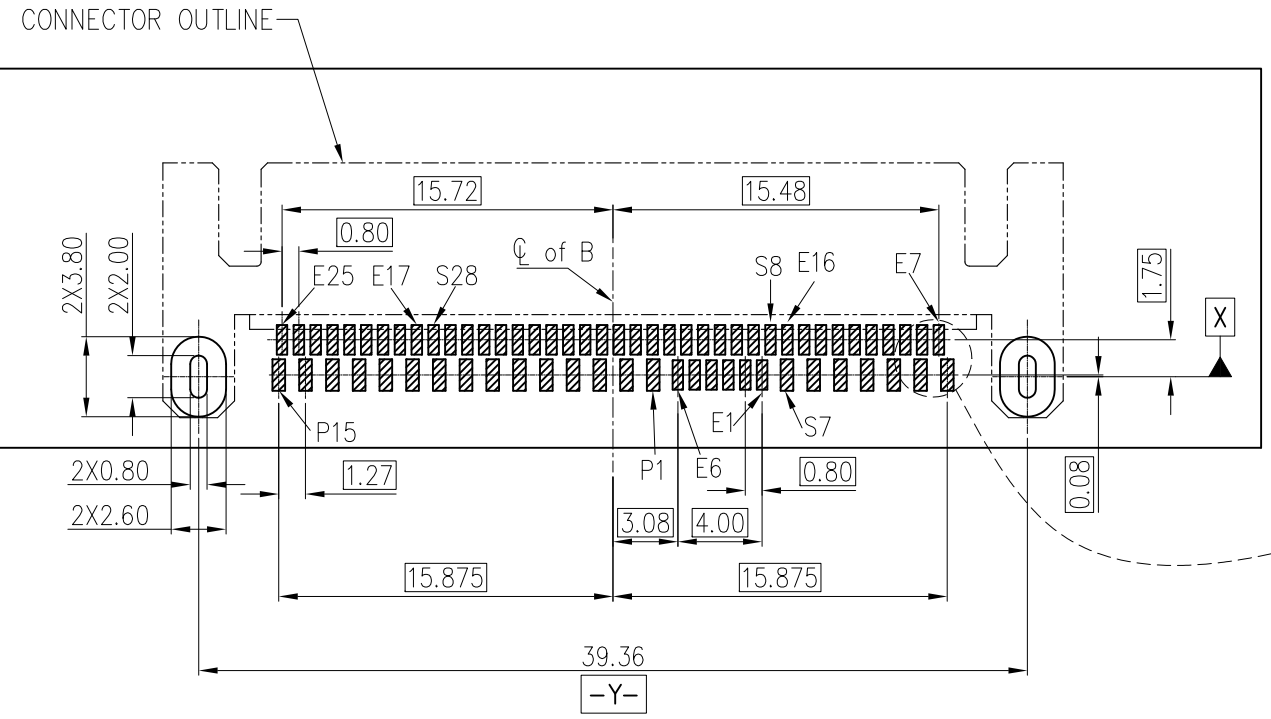
REVISIONS				
SYM	ECN	DESCRIPTION	DATE	APPROVED
		REFER TO SHEET 1		

D

C

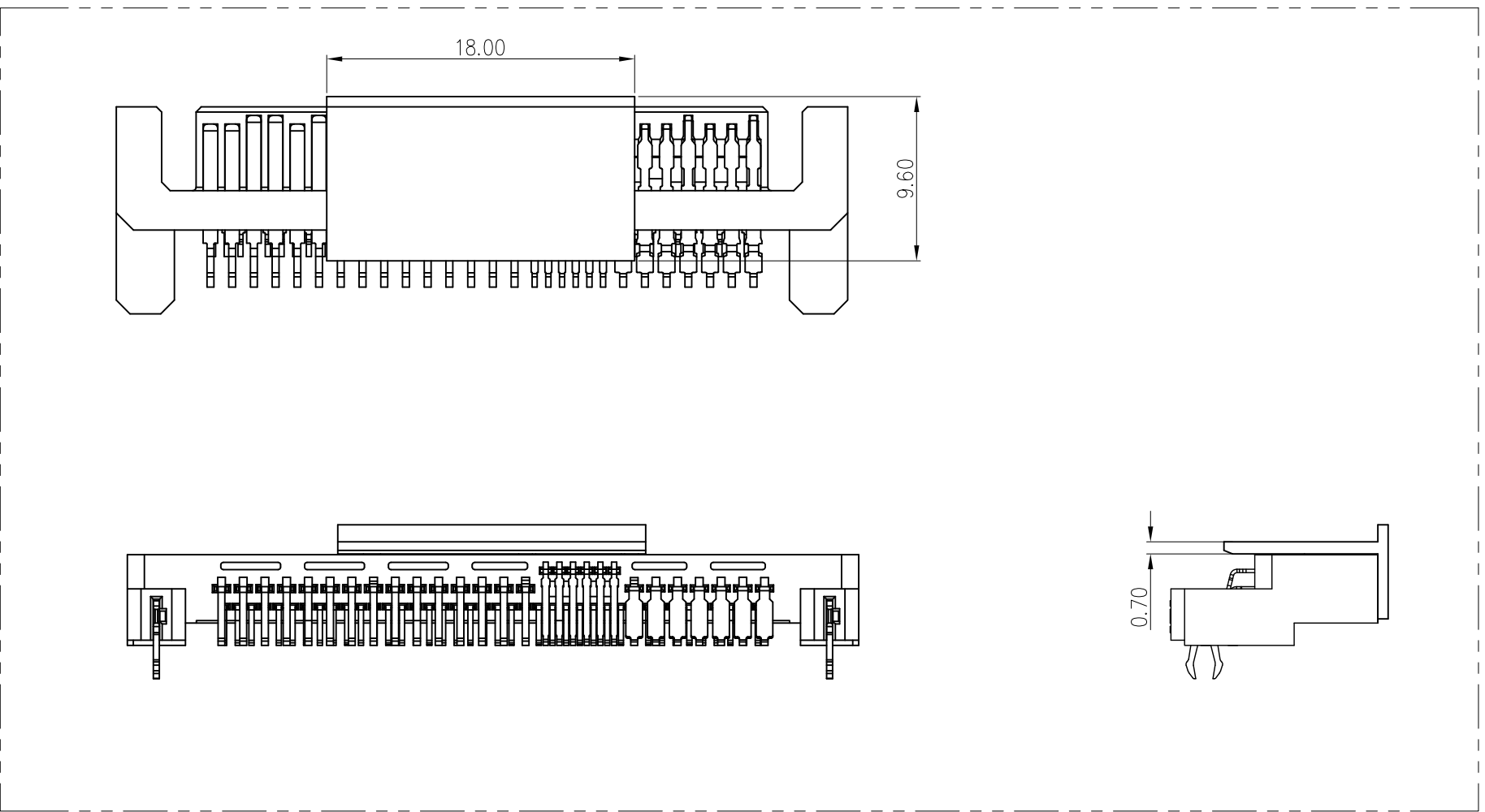
B

A



Scale 2:1

RECOMMENDED PCB LAYOUT
GENERAL TOLERANCE ±0.05



UNLESS OTHERWISE SPECIFIED TOLERANCES U.S. METRIC .X +/- 0.50 .XX +/- 0.25 .XXX +/- 0.20 FRACTIONS +/- ANGLES +/- 3° FOR MATERIALS AND FINISHES SEE NOTES REMOVE SHARP EDGES DIMENSIONS U.S. INCHES (METRIC) (MM)	APPROVAL DRAWN Evan.Dai CHECKED CHECKED	DATE 04/27/18	Amphenol Amphenol East Asia Limited TITLE Customer Drawing For PCIe SAS R/A SMT Plug Connector SIZE DRAWING NO. A3 PSASM213041XXX REV. 8 SCALE NONE SHEET 3 OF 4
	DRAWING FILE : PE MASTER\DRAWING\PSAS\PSASM213041XXX-8		
	ANGLE OF PROJECTION 		
	SCALE NONE SHEET 3 OF 4		

4

3

2

1

D

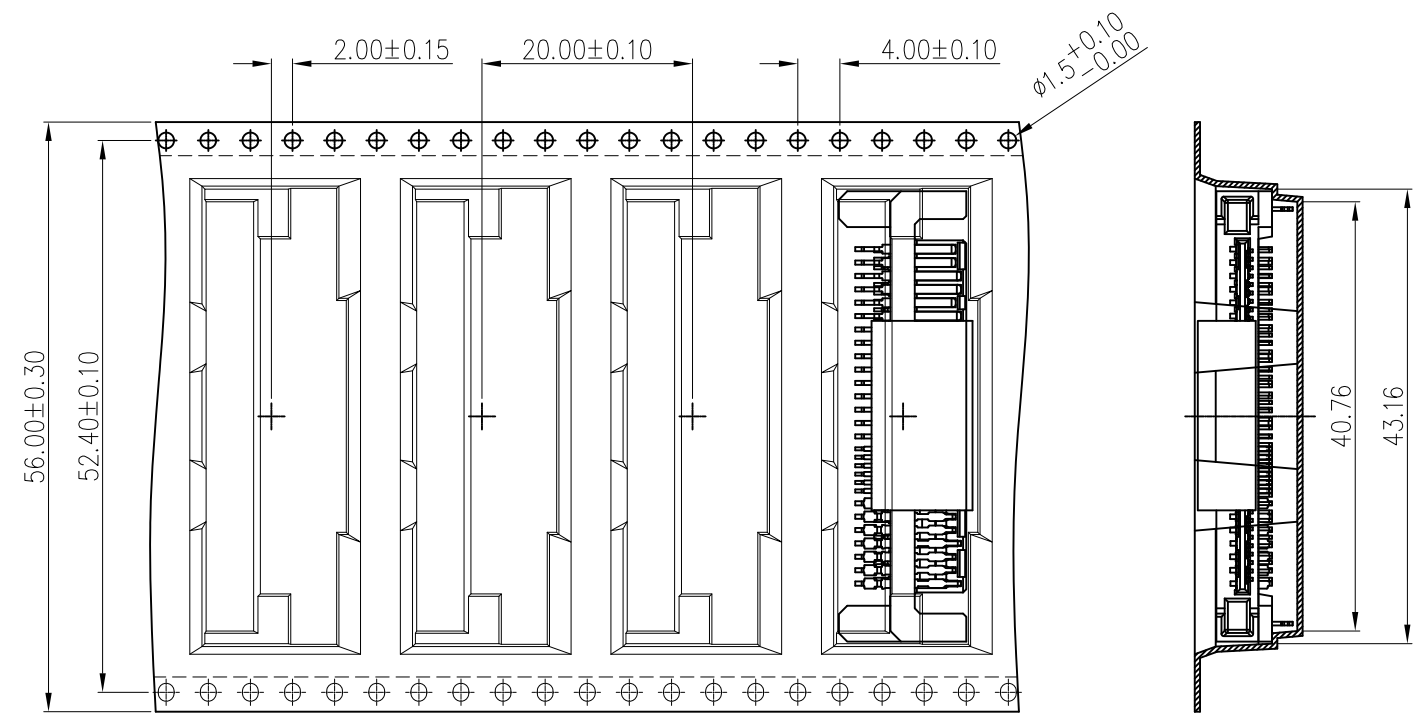
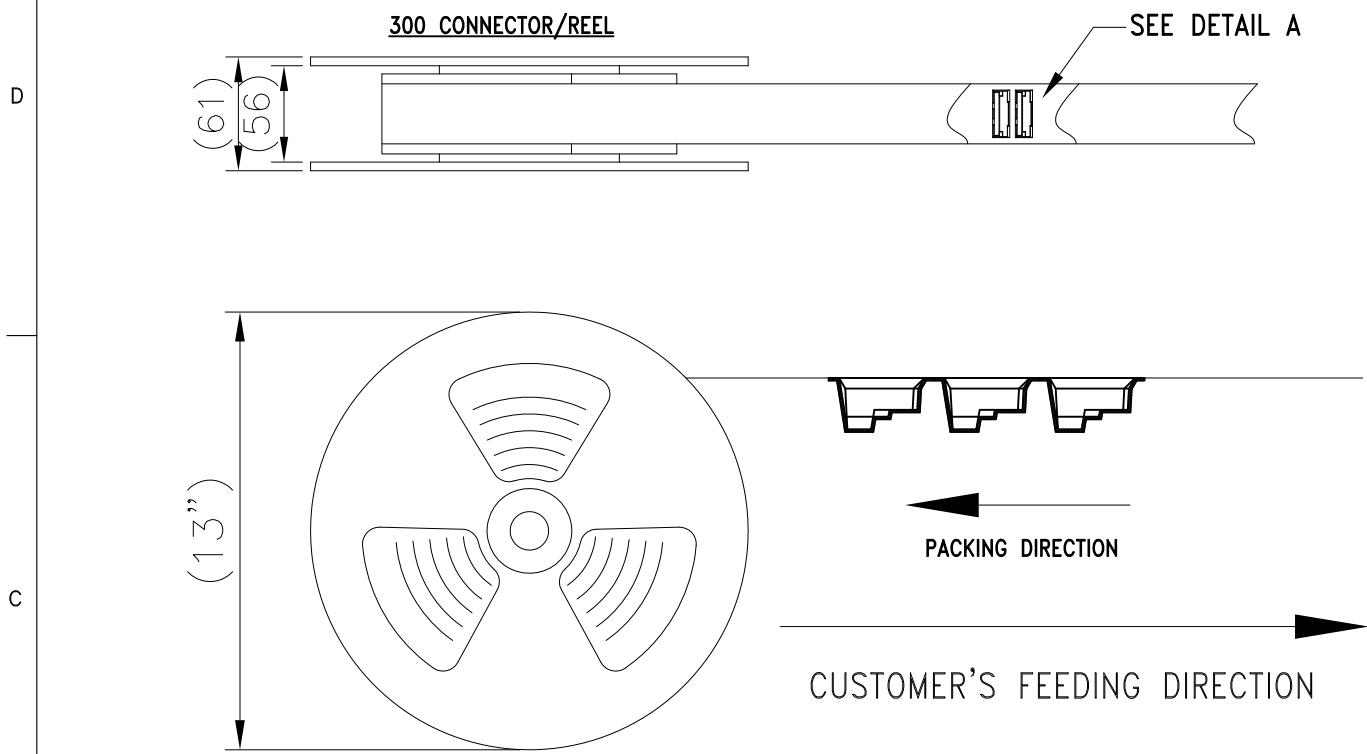
C

B

A

This document is the property of Amphenol Corporation and is delivered on the express condition that it is not to be disclosed, reproduced or used, in whole or in part, for manufacture or sale by anyone other than Amphenol Corporation without its prior consent, & that no right is granted to disclose or to use any information in this document.

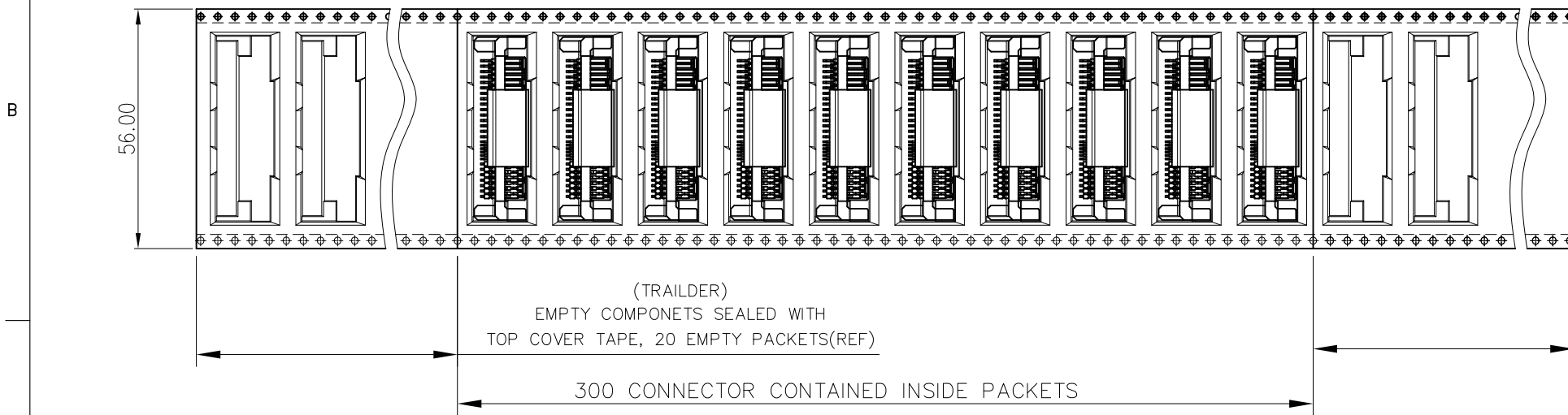
REVISIONS				
SYM	ECN	DESCRIPTION	DATE	APPROVED
		REFER TO SHEET 1		



CUSTOMER'S FEEDING DIRECTION

CUSTOMER'S FEEDING DIRECTION

DETAIL A
SCALE 2:1

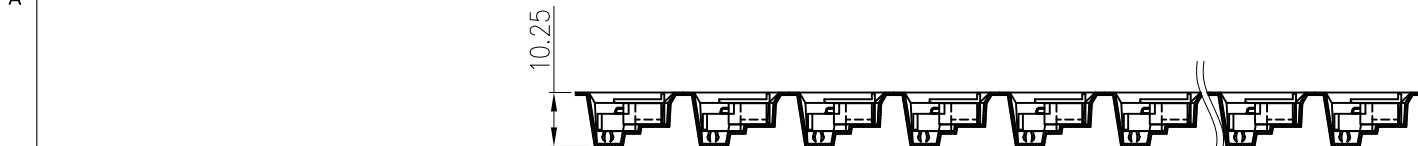


(TRAILER)
EMPTY COMPONENTS SEALED WITH
TOP COVER TAPE, 20 EMPTY PACKETS(REF)

300 CONNECTOR CONTAINED INSIDE PACKETS

(LEADER)
EMPTY COMPONENTS SEALED WITH TOP COVER
20 EMPTY PACKETS (REF)

CUSTOMER'S FEEDING DIRECTION



UNLESS OTHERWISE SPECIFIED TOLERANCES		APPROVAL	DATE
.X	+/-	DRAWN	Evan.Dai 04/27/18
.XX	+/-	CHECKED	
.XXX	+/-	CHECKED	
FRACTIONS	+/-	DRAWING FILE :	
ANGLES	+/-	PE MASTER\DRAWING\PSAS\PSASM213041XXX-8	
REMOVE SHARP EDGES		ANGLE OF PROJECTION	
DIMENSIONS			
U.S.	INCHES		
(METRIC)	(MM)		

Amphenol		Amphenol East Asia Limited
Customer Drawing For		
PCIe SAS R/A SMT Plug Connector		
SIZE	DRAWING NO.	REV.
A3	PSASM213041XXX	8
SCALE	NONE	SHEET 4 OF 4

X-ON Electronics

Largest Supplier of Electrical and Electronic Components

Click to view similar products for [PCI Express/PCI Connectors](#) category:

Click to view products by [Amphenol](#) manufacturer:

Other Similar products are found below :

[UEX220-6U](#) [10025026-10003PLF](#) [2170560-2](#) [10125756-980000LF](#) [EB220-3U](#) [10061913-120PLF](#) [GPCP146400111HR](#) [205058-1001](#)
[GPCP442628110HR](#) [GPCP446200120HR](#) [GPCP245400111HR](#) [10082378-10000TLF](#) [87715-9256](#) [MDT580M03001](#) [0877159107](#)
[MDT580M01001](#) [10141523-111TOLF](#) [10145445-10003MLF](#) [10146070-112YOLF](#) [10150657-052ROLF](#) [74540-0201](#) [74540-0501](#) [7-1734774-](#)
[7](#) [3-1761465-1](#) [1-1761465-3](#) [10018784-10111TLF](#) [10039755-10111TLF](#) [10039755-10112TLF](#) [10018783-10211TLF](#) [10018784-10211TLF](#)
[10018784-10212TLF](#) [1761465-2](#) [87715-9208](#) [1871058-1](#) [5-1761465-4](#) [10018783-10200MLF](#) [10018783-10213TLF](#) [10018784-10210TLF](#)
[10018784-11113TLF](#) [10025026-10001TLF](#) [5145154-8](#) [1871058-4](#) [87715-9203](#) [87715-9309](#) [5-1761465-2](#) [3690-18](#) [CBTE-3Z14](#) [10018783-](#)
[10001MLF](#) [10025026-10101TLF](#) [10018783-10210TLF](#)