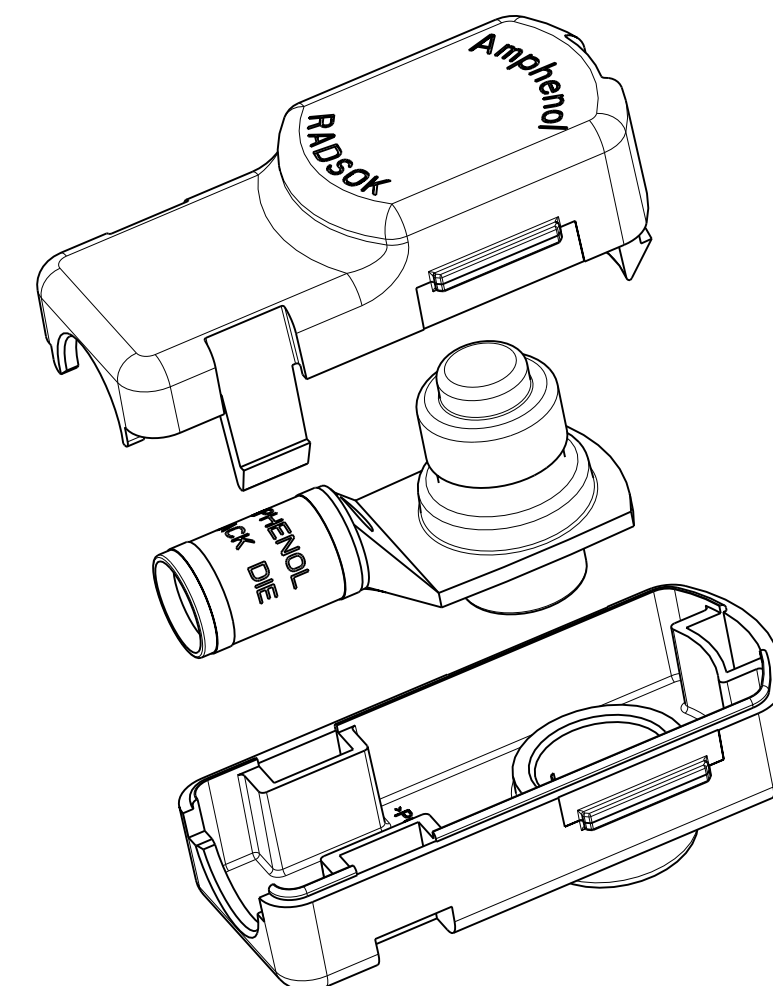
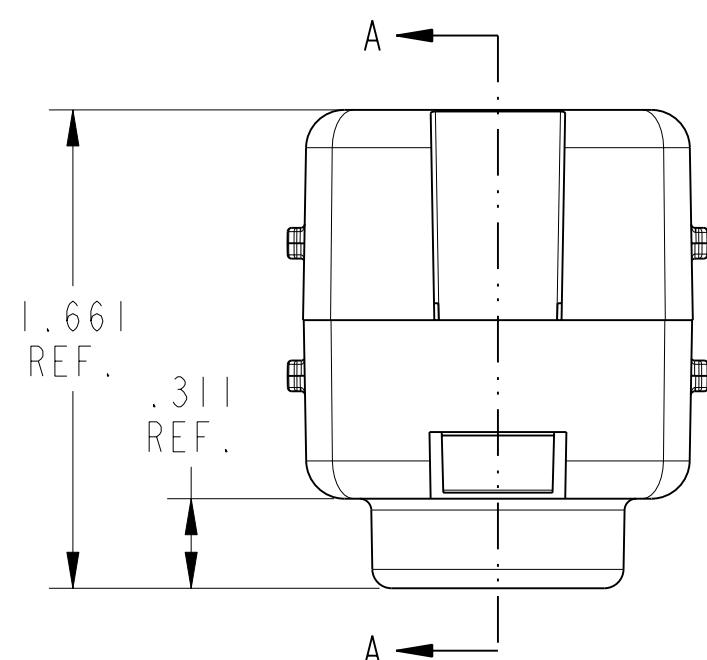
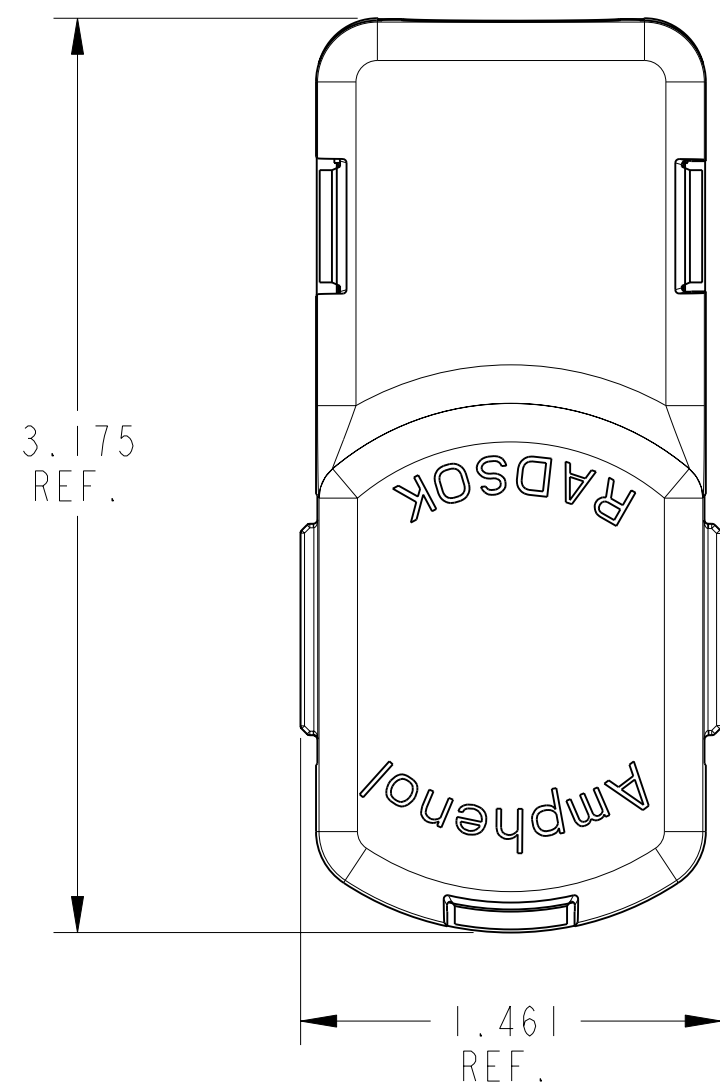
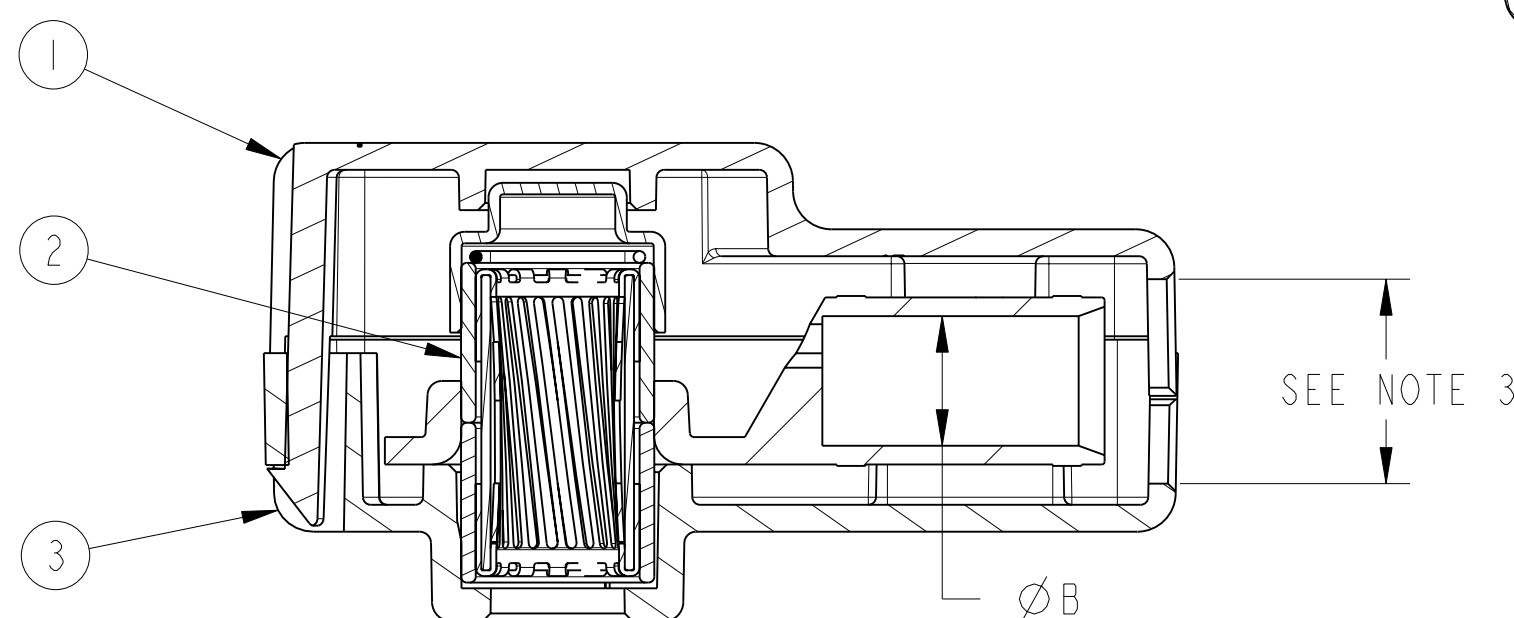


REV. A		SHEET 1 OF 1		DOCUMENT NO. 10-647186-()X()	
REVISIONS					
LTR	DESCRIPTION			DATE	
A	INITIAL RELEASE				

PART NUMBER	WIRE GAGE	ØB	ITEM #2	RADSOK FINISH
10-647186-1X1	1/0 AWG	.390	10-647161-1X1	SILVER
10-647186-1X4	1/0 AWG	.390	10-647161-1X4	NICKEL
10-647186-1X5	1/0 AWG	.390	10-647161-1X5	GOLD
10-647186-2X1	2/0 AWG	.450	10-647161-2X1	SILVER
10-647186-2X4	2/0 AWG	.450	10-647161-2X4	NICKEL
10-647186-2X5	2/0 AWG	.450	10-647161-2X5	GOLD



SCALE 1.000



SECTION A-A

- 4) ASSEMBLY HOUSINGS ARE UL 94 V-0 RATED.
- 3) THE MAXIMUM WIRE JACKET OD IS .605 DIAMETER.
- 2) CONNECTOR SHOWN MATES WITH PIN CONTACT PART NUMBER C10-647178-00() OR EQUIV.
- 1) LUG MUST BE CRIMPED TO WIRE BEFORE TOP & BOTTOM HOUSINGS ARE SNAPPED TOGETHER FOR FINAL ASSEMBLY.

NOTES:

THE USE OF THIS DOCUMENT IS UNLIMITED. HOWEVER, DOCUMENTS REFERENCED HEREON MAY CONTAIN LIMITED RIGHTS DATA.

RELEASED / Feb . 07 2007, 09:58 AM

N/A	PRO/ENGINEER INFORMATION
N/A	Pro/e Model Used: 10-647186.ASSEM
NEXT ASSEMBLY	Drawing Name: 10-647186

UNLESS OTHERWISE SPECIFIED

LINEAR DIMENSIONS ARE IN INCHES
TOLERANCES:
.XXXX = ±.0005 ANGLES= ±2°
.XXX = ±.010
.XX = ±.03
.X = ±.1

DIM. & TOL. PER ASME Y14.5M;
DRM PER MIL-DTL-31000;
OTHER Amphenol Sids. PER 9-3800

LEGENDS:
= FLAG NOTE CALL OUT
REFERENCE ONLY

SPECIFICATIONS

MATERIAL SPEC.
N/A

PROCESS SPEC.
N/A

POS	QTY	PART NUMBER	DESCRIPTION	NOTE
3	1	10-647163-001	10.3MM SURLOK BOTTOM HOUSING	
2	1	SEE CHART	10.3MM SURLOK METAL ASSEMBLY	
1	1	10-647163-002	10.3MM SURLOK TOP HOUSING	

APPROVALS	DATE
PREPARED BY DERIC LI	03-Aug-06
ENGINEER IN CHARGE M. UPPLER	
DESIGN MANAGER J. SANDBURG	
DESIGN ACTIVITY GROUP C&I	
THIRD ANGLE PROJECTION	

PARTS LIST			
AMPHENOL CORPORATION 40-60 DELAWARE AVENUE SIDNEY, N.Y. 13838			
10.3MM SURLOK RADSOK ASSEMBLY			
SIZE C	CAGE CODE 77820	DOCUMENT NO. 10-647186-()X()	REV. A
SCALE: 1.0 REF:		10-647185	SHEET 1 OF 1

X-ON Electronics

Largest Supplier of Electrical and Electronic Components

Click to view similar products for [Terminals](#) category:

Click to view products by [Amphenol](#) manufacturer:

Other Similar products are found below :

[00-054007-01074-6](#) [00-054007-70206-1](#) [00-054007-70210-8](#) [00-054007-70217-7](#) [00-054007-70226-9](#) [00-054007-70228-3](#) [00-054007-70248-1](#) [00-054007-70256-6](#) [00-054007-70301-3](#) [00-054007-70316-7](#) [00-054007-49560-4](#) [00-054007-70209-2](#) [00-054007-70225-2](#) [00-054007-70227-6](#) [00-054007-70231-3](#) [00-054007-70241-2](#) [00-054007-70242-9](#) [00-054007-70244-3](#) [00-054007-70246-7](#) [00-054007-70263-4](#) [00-054007-70288-7](#) [00-054007-70290-0](#) [00-054007-70300-6](#) [00-054007-70304-4](#) [01-2065-1-0216](#) [01-2900-1-04412](#) [00581P0075](#) [600TS-10](#) [60205-1](#) [604200-1](#) [605601-1](#) [60598-1-CUT-TAPE](#) [61314-6-C](#) [61810-3](#) [61-S](#) [62149-1](#) [626-0194](#) [62-NBM-A](#) [62-SN](#) [62-SP](#) [640179-1](#) [M55155/059I03](#) [M55155/079C01](#) [M55155/099H02](#) [M55155/109H01](#) [M55155/109H02](#) [M55155/12XH05](#) [M55155/16XH02](#) [M55155/29-5S](#) [M55155/29XJ08](#)