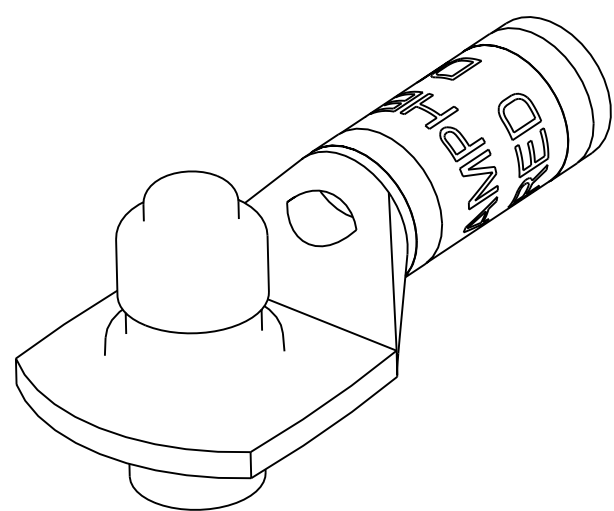
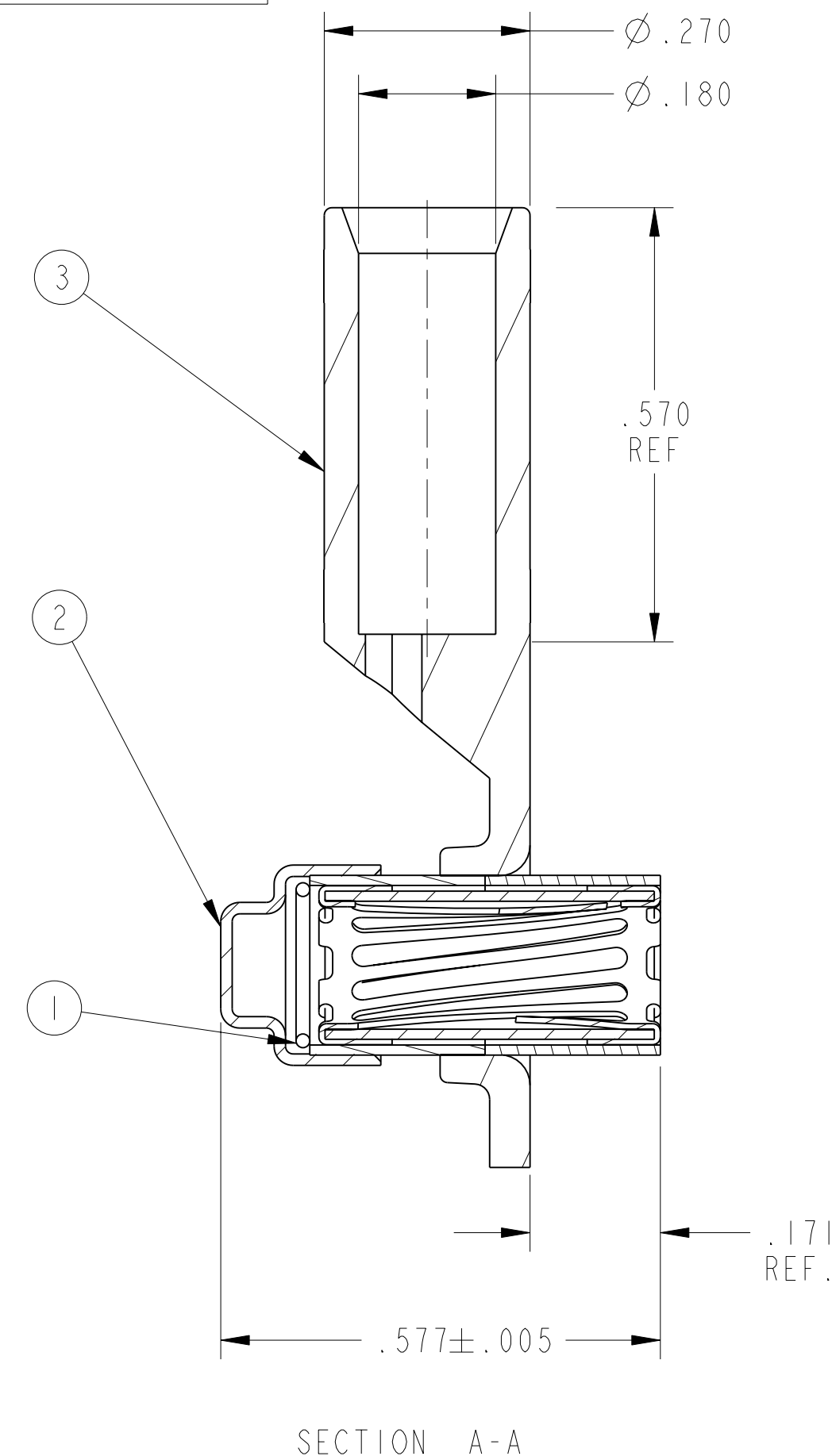
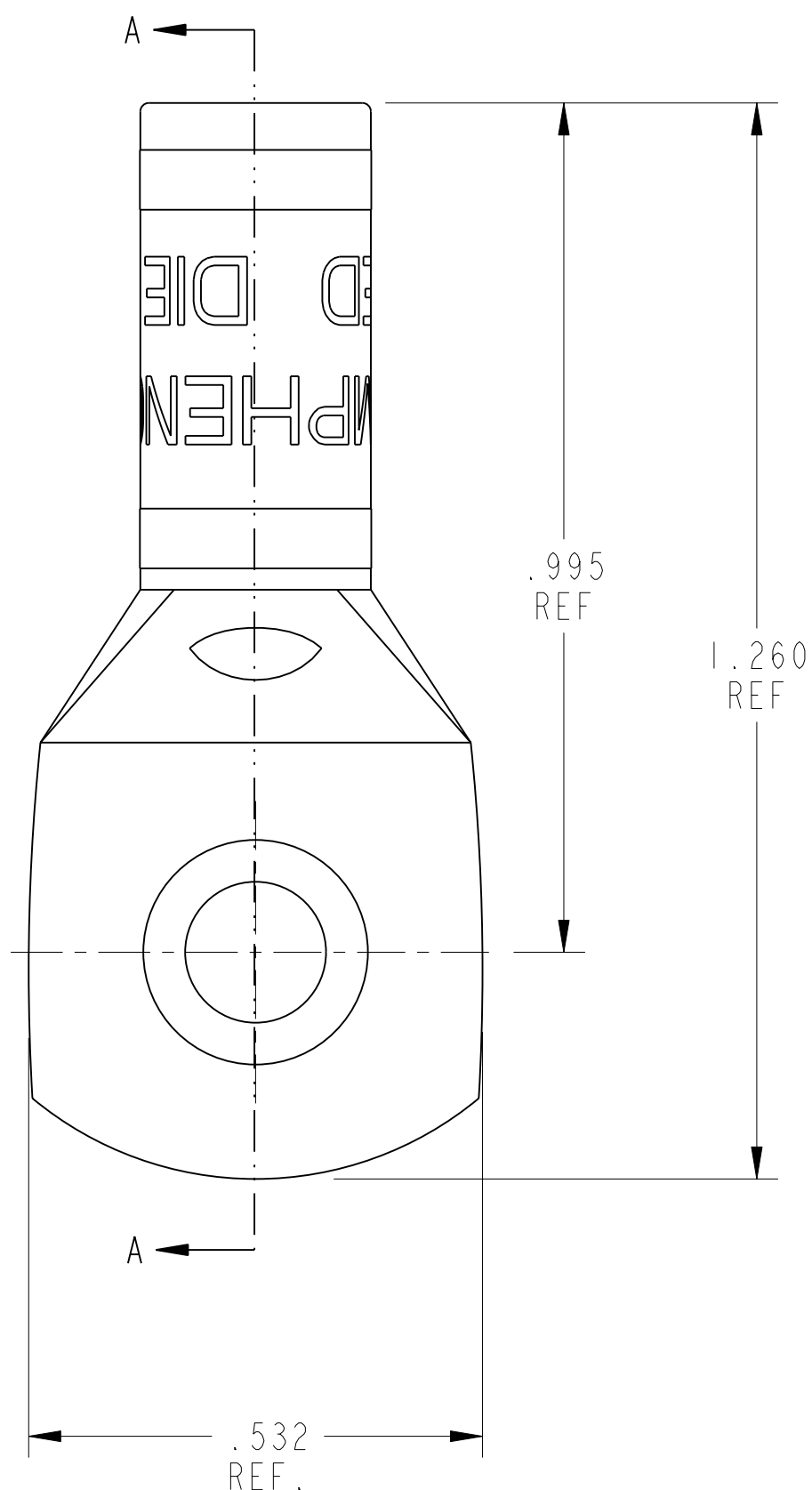


REV. A		SHEET 1 OF 1		DOCUMENT NO. 10-647159-08()	
REVISIONS					
LTR	DESCRIPTION		DATE		
A	INITIAL RELEASE				

PART NUMBER	ITEM #3	RADSOK FINISH	LUG FINISH	CAP FINISH
10-647159-081	10-639352-081	SILVER	TIN	TIN
10-647159-084	10-639352-084	NICKEL	TIN	TIN
10-647159-085	10-639352-085	GOLD	TIN	TIN



SCALE 3.000



2) CRIMP BARREL SHOWN ACCEPTS #8 AWG WIRE. RECOMMENDED CRIMP TOOL: BURNDY #Y750HS, DIE #U8CRT OR EQUIV.

1) PRESS ITEM #2(CAP) ONTO ITEM #3(RADSOK) TO DIMENSION SHOWN.

NOTES:

THE USE OF THIS DOCUMENT IS UNLIMITED. HOWEVER, DOCUMENTS REFERENCED HEREON MAY CONTAIN LIMITED RIGHTS DATA.

RELEASED / Sep . 14 2006, 10:18 AM

UNLESS OTHERWISE SPECIFIED	SPECIFICATIONS
LINEAR DIMENSIONS ARE IN INCHES TOLERANCES: .XXXX = ±.0005 ANGLES= ±2° .XXX = ±.010 .XX = ±.03 .X = ±.1	MATERIAL SPEC. N/A -
DIM. & TOL. PER ASME Y14.5M; DRM PER MIL-DTL-31000; OTHER Amphenol Sds. PER 9-3800	PROCESS SPEC. N/A -
LEGENDS: = FLAG NOTE CALL OUT REFERENCE ONLY	

POS	QTY	PART NUMBER	DESCRIPTION	NOTE
3	1	SEE CHART	3.6MM SURLOK LUG ASSEMBLY	
2	1	10-647165-003	3.6MM SURLOK CAP	
1	1	10-647162-000	3.6MM SURLOK WIRE CLIP	

APPROVALS		DATE	PARTS LIST	
PREPARED BY DERIC LI	ENGINEER IN CHARGE M. UPPLER	03-Aug-06	AMPHENOL CORPORATION 40-60 DELAWARE AVENUE SIDNEY, N.Y. 13838	
DESIGN MANAGER J. SANDBURG	DESIGN ACTIVITY GROUP		3.6MM SURLOK RADSOK SUB ASSEMBLY(8 AWG)	
THIRD ANGLE PROJECTION		SIZE C	CAGE CODE 77820	DOCUMENT NO. 10-647159-08()
		SCALE: 5.0	REF: 10-647173-01()	SHEET 1 OF 1

PRO/ENGINEER INFORMATION	
N/A	10-647183
10-647159-08.ASSEM	Drawing Name:
10-647159-08	

DOCUMENT NO. 10-647159-08()
SHEET 1 OF 1
REV. A

DOCUMENT NO. 10-647159-08()
SHEET 1 OF 1
REV. A

FORMAT: C-U-L-R-V-B

X-ON Electronics

Largest Supplier of Electrical and Electronic Components

Click to view similar products for [Terminals](#) category:

Click to view products by [Amphenol](#) manufacturer:

Other Similar products are found below :

[00-054007-01074-6](#) [00-054007-70206-1](#) [00-054007-70210-8](#) [00-054007-70217-7](#) [00-054007-70226-9](#) [00-054007-70228-3](#) [00-054007-70248-1](#) [00-054007-70256-6](#) [00-054007-70301-3](#) [00-054007-70316-7](#) [00-054007-49560-4](#) [00-054007-70209-2](#) [00-054007-70225-2](#) [00-054007-70227-6](#) [00-054007-70231-3](#) [00-054007-70241-2](#) [00-054007-70242-9](#) [00-054007-70244-3](#) [00-054007-70246-7](#) [00-054007-70263-4](#) [00-054007-70288-7](#) [00-054007-70290-0](#) [00-054007-70300-6](#) [00-054007-70304-4](#) [01-2065-1-0216](#) [01-2900-1-04412](#) [00581P0075](#) [600TS-10](#) [60205-1](#) [604200-1](#) [605601-1](#) [60598-1-CUT-TAPE](#) [61314-6-C](#) [61810-3](#) [61-S](#) [62149-1](#) [626-0194](#) [62-NBM-A](#) [62-SN](#) [62-SP](#) [640179-1](#) [M55155/059I03](#) [M55155/079C01](#) [M55155/099H02](#) [M55155/109H01](#) [M55155/109H02](#) [M55155/12XH05](#) [M55155/16XH02](#) [M55155/29-5S](#) [M55155/29XJ08](#)